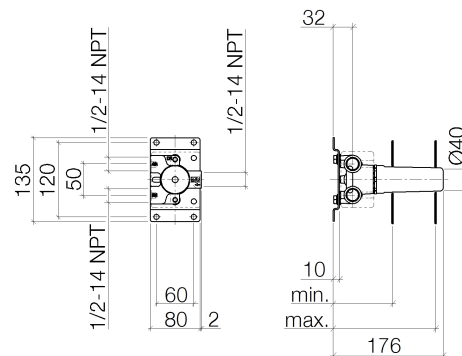


**Product specifications**

- brass, lead free
- female thread 1/2" connection
- 2x outlet 1/2"
- Mud guard
- Water protection
- Sound insulation
- Wall elbow 1/2" (concealed rough parts) Also compatible with xGrid

**NOTE: Important for certain series! Due to minimum rough-in requirements, a framing of 2x6 studs is needed.**

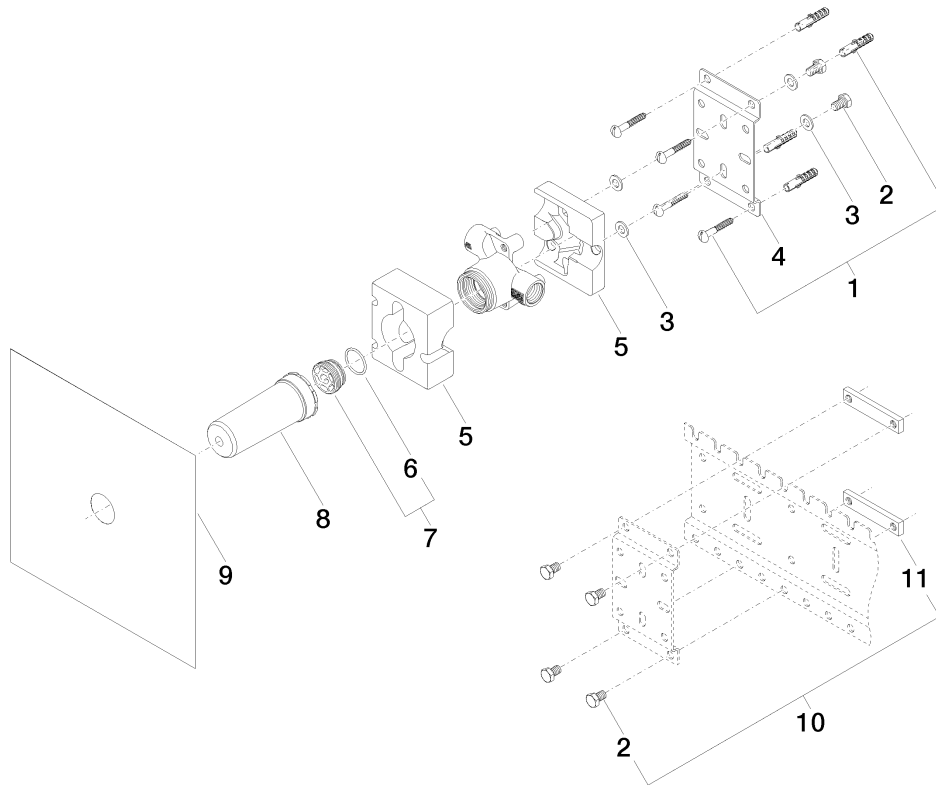


min max  
Symetrics 88 160

**Surfaces**

- 35128970-900010

**Exploded assembly drawing**



**Order quantity**

<b>No.</b>	<b>Article number</b>	<b>Name</b>	<b>Installation quantity</b>
1	0430310240190	fixing set	2
2	09303015290	screw	6
3	09301113990	disc	4
4	09172009490	holder	1
5	09111103590	accessories	1
6	09141011290	seal	1
7	0430111490090	plug	1
8	09210213690	cap	1
9	0414031160090	gasket kit	1
10	0417201000090	fixing set	1
11	09172010090	holder	2