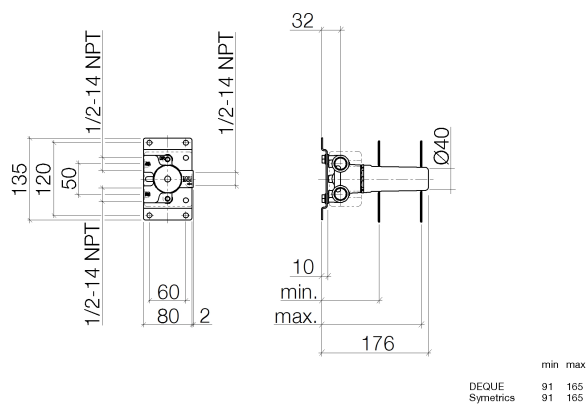




Product specifications

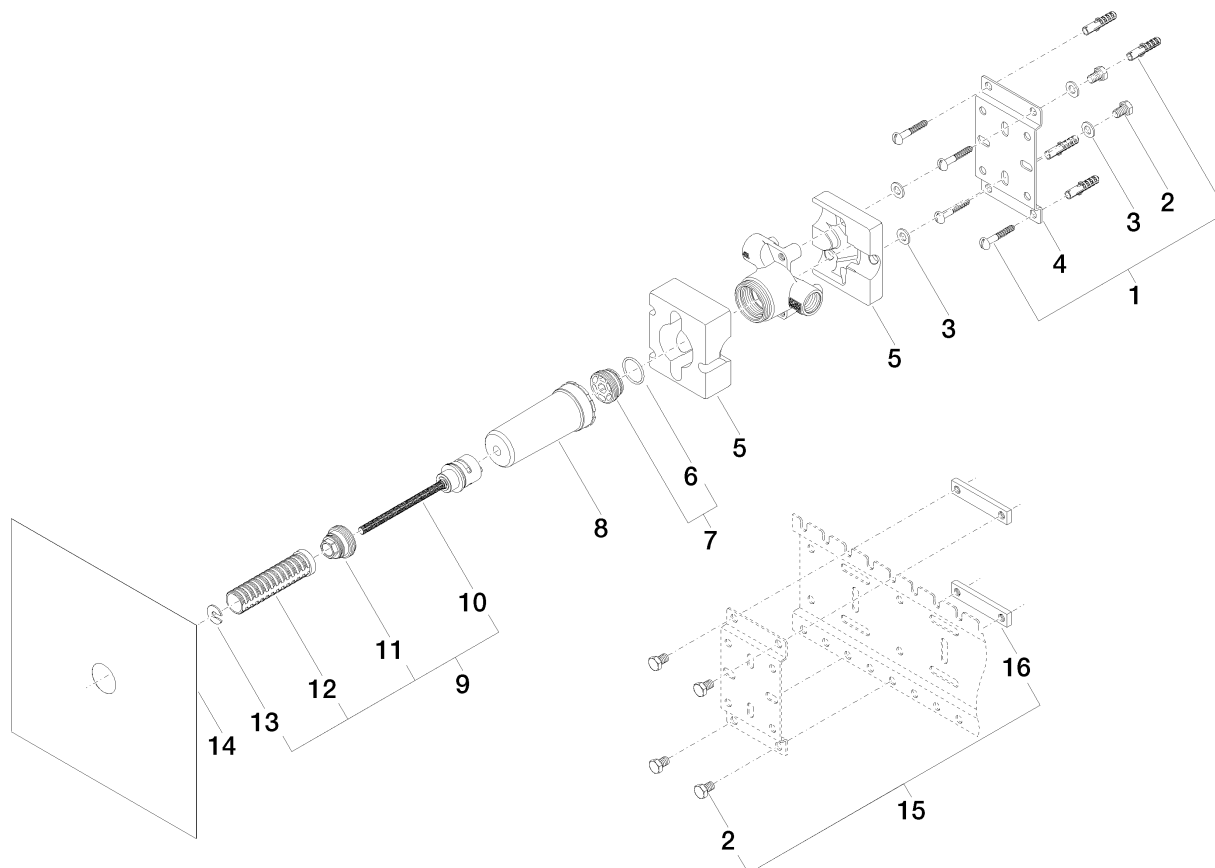
- Min. rough in depth 3-5/8"
- Max. rough in depth 6-1/2"



Surfaces

- 35125970-900010

Exploded assembly drawing



Order quantity

No.	Article number	Name	Installation quantity
1	0430310240190	fixing set	2
2	09303015290	screw	6
3	09301113990	disc	4
4	09172009490	holder	1
5	09111103590	accessories	1
6	09141011290	seal	1
7	0430111490090	plug	1
8	09210213690	cap	1
9	0490031590090	diverter	1
10	9090031590090	diverter	1
11	09240422390	nipple	1
12	09184007790	sleeve	1
13	09160102690	ring	1
14	0414031160090	gasket kit	1
15	0417201000090	fixing set	1
16	09172010090	holder	2

Flow rate chart

