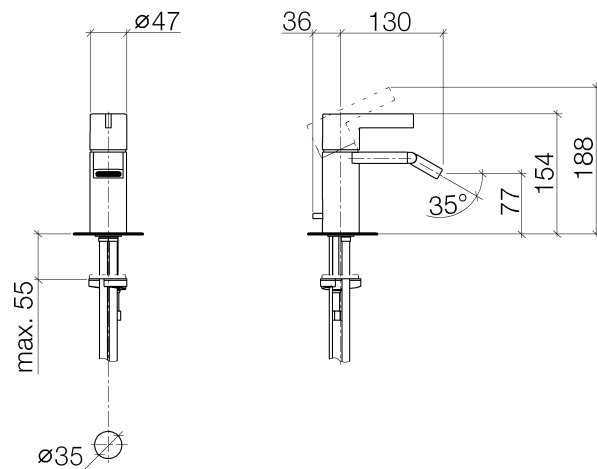




Product specifications

- **5-1/8" Projection**
 - **European drain with overflow**
 - Fixed spout
 - Ball-joint pivotable through 30°
 - Rectangular aerated stream
 - Total height 7-3/8"
 - Height to aerator/spout outlet 3"
 - 1-3/8" hole diameter
 - 2x 10 mm European flexible supply lines
 - Water flow rate limited to max. 1.8 gpm
- (ADA)**



Surfaces

- chrome 33600670-00
- matt platinum 33600670-06

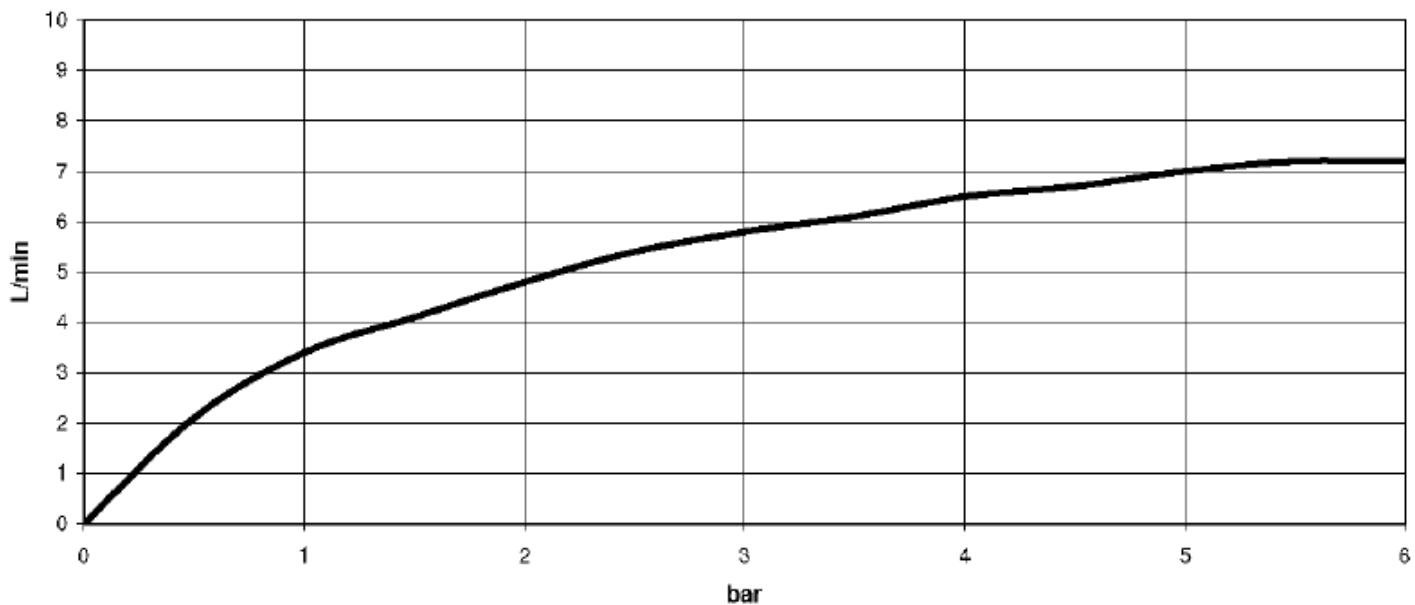
Accessories required

- Drain; 04 11 01 023 00
- Flexible supply line 3/8"; 04 30 04 045 00

Order quantity

No.	Article number	Name	Installation quantity
1	093120087ff	plug	1
2	09141013390	seal	1
3	09311103090	pin	1
4	092067003ff	handle	1
5	092830019ff	cover	1
6	9023100660090	nut	1
7	9015050420090	cartridge	1
8	09141010290	seal	1
9	09140313190	seal	1
10	09110306190	connection	1
11	09141005390	seal	1
12	09303008490	screw	2
13	09303011690	screw	1
14	092822246ff	spout	1
15	09303015790	screw	2
16	90240208300ff	joint	1
17	092301123ff	sleeve	1
18	09311106490	pin	1
19	9029030450090	aerator	1
20	092067002ff	handle	1
21	09141011990	seal	1
22	092810109-07	ring	1
23	093109080ff	pull-rod	1
24	0430040160090	hose	2
25	09311101290	pin	1
26	0430110858890	fixing set	1
27	04110100100ff	pop-up waste	1

Flow rate chart



Trajectory Diagram

