



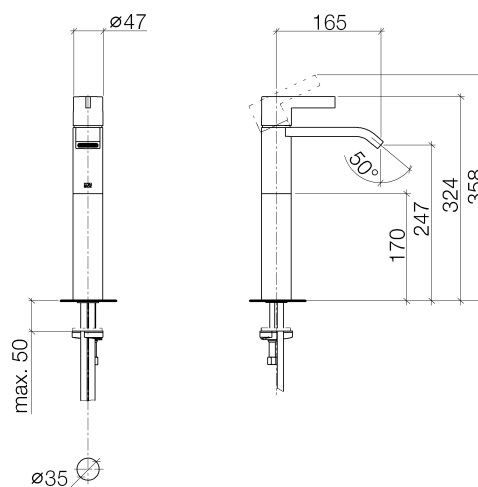
**Product specifications**

**• 6-1/2" Projection**

- Fixed spout
- Rectangular aerated stream
- Total height 14-1/8"
- Height to aerator/spout outlet 9-3/4"
- 1-3/8" hole diameter
- 2x 3/8" US flexible supply lines
- Water flow rate limited to max. 1.2 gpm
- low lead compliant

**(ADA)**

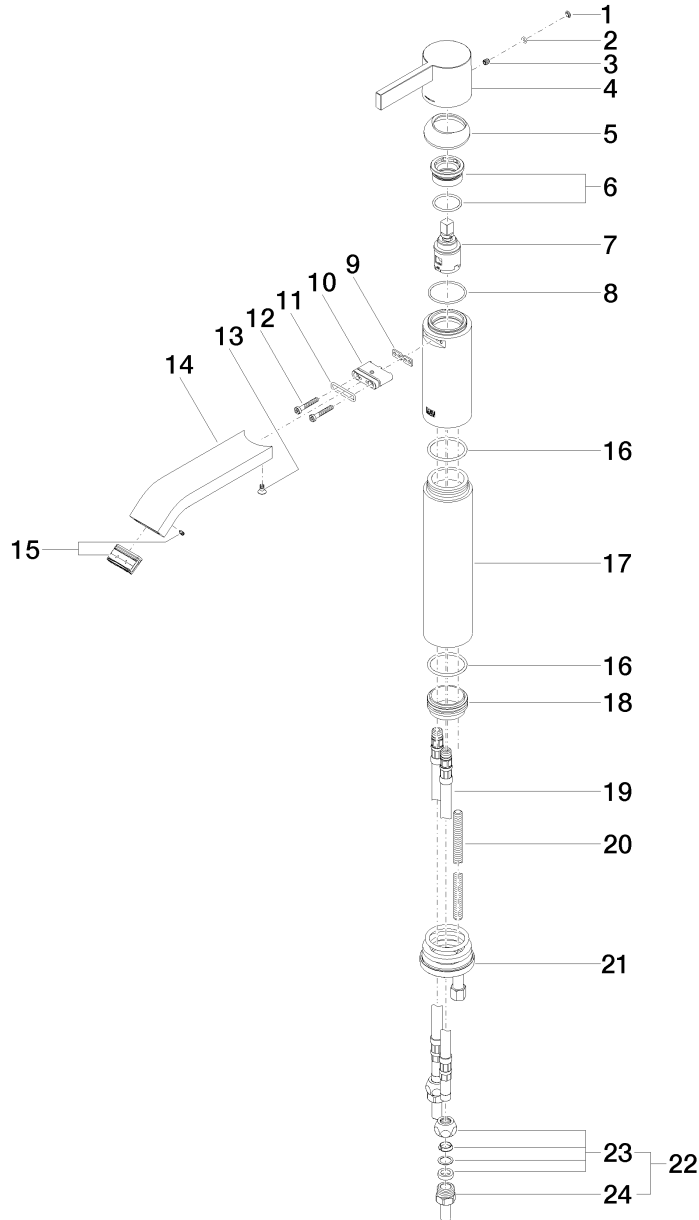
**For combination with vessel sinks.**



**Surfaces**

- chrome 33537670-000010
- matt platinum 33537670-060010

**Exploded assembly drawing**



**Order quantity**

<b>No.</b>	<b>Article number</b>	<b>Name</b>	<b>Installation quantity</b>
1	093120087ff	plug	1
2	09141013390	seal	1
3	09311103090	pin	1
4	092067003ff	handle	1
5	092830019ff	cover	1
6	9023100660090	nut	1
7	9015050420090	cartridge	1
8	09141010290	seal	1
9	09140313190	seal	1
10	09110306190	connection	1
11	09141005390	seal	1
12	09303008490	screw	2
13	09303011690	screw	1
14	092822240ff	spout	1
15	9029031180090	aerator	1
16	09141011990	seal	1
17	09282224420ff	pipe	1
18	092810109-07	ring	1
19	0430040170090	hose	2
20	09311109590	pin	1
21	0430110858890	fixing set	1
22	04240422200ff	adaptor	1
23	04233003101-07	threaded connector	2
24	09240422210ff	adaptor	2



**Flow rate chart**

