

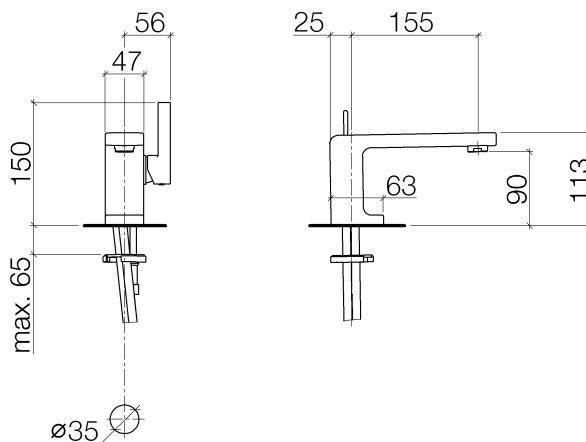


**Product specifications**

**• 6-1/8" Projection**

- Fixed spout
- Round aerated stream
- Total height 4-1/2"
- Height to aerator/spout outlet 3-1/2"
- 1-3/8" hole diameter
- 2x 10 mm flexible supply lines including 3/8" US adapters
- Water flow rate limited to max. 1.2 gpm
- low lead compliant

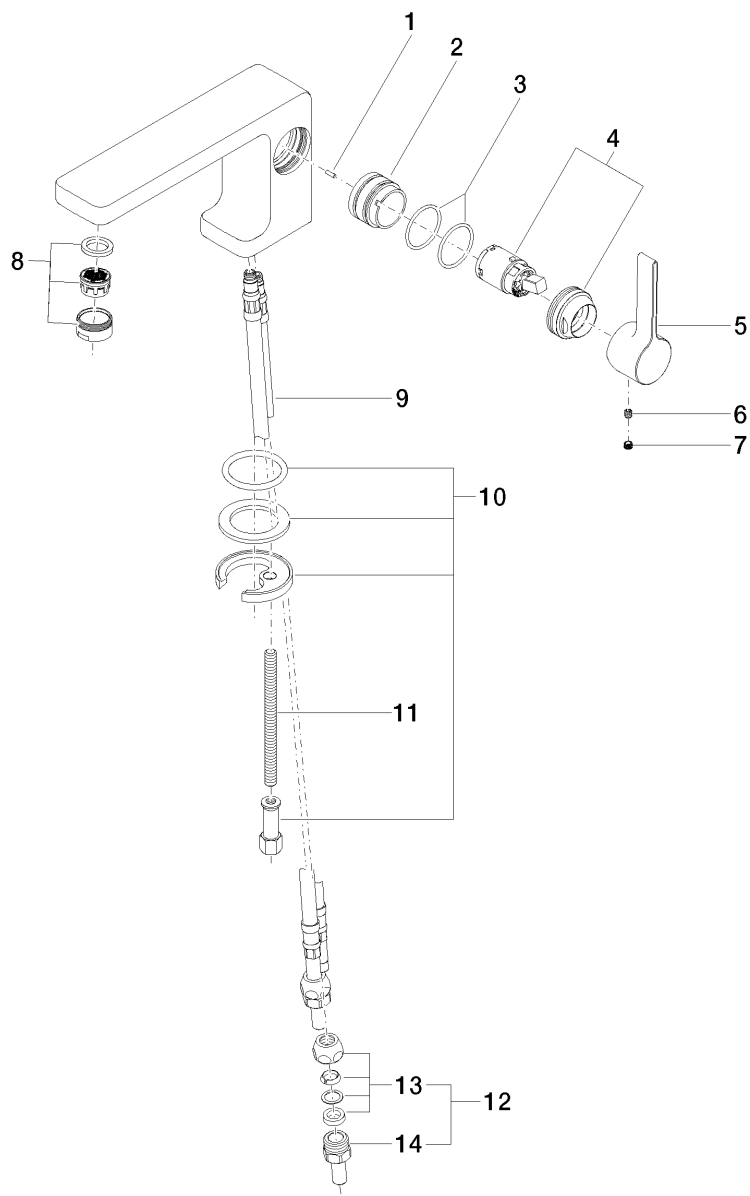
**(ADA)**



**Surfaces**

- chrome 33521710-000010
- matt platinum 33521710-060010

**Exploded assembly drawing**



**Order quantity**

<b>No.</b>	<b>Article number</b>	<b>Name</b>	<b>Installation quantity</b>
<b>1</b>	09311111190	pin	1
<b>2</b>	0918400951090	sleeve	1
<b>3</b>	09141013790	seal	2
<b>4</b>	90150504100ff	cartridge	1
<b>5</b>	092071040ff	handle	1
<b>6</b>	09311103090	pin	1
<b>7</b>	09312010990	plug	1
<b>8</b>	90230111804ff	aerator	1
<b>9</b>	0430040180090	hose	2
<b>10</b>	0430110387590	fixing set	1
<b>11</b>	09311101290	pin	1
<b>12</b>	04240422200ff	adaptor	1
<b>13</b>	04233003101-07	threaded connector	2
<b>14</b>	09240422210ff	adaptor	2

**Flow rate chart**

