

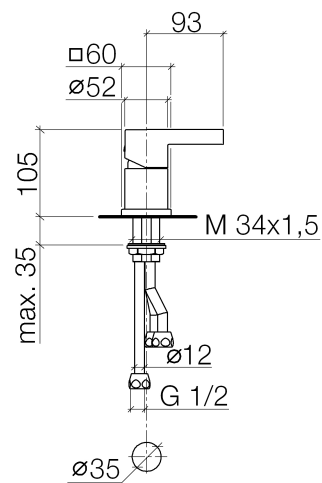


Product specifications

- Flange 2-3/8" x 2-3/8"
- 1-3/8" hole diameter
- Water flow rate limited to max. 10.3 gpm

(ADA)

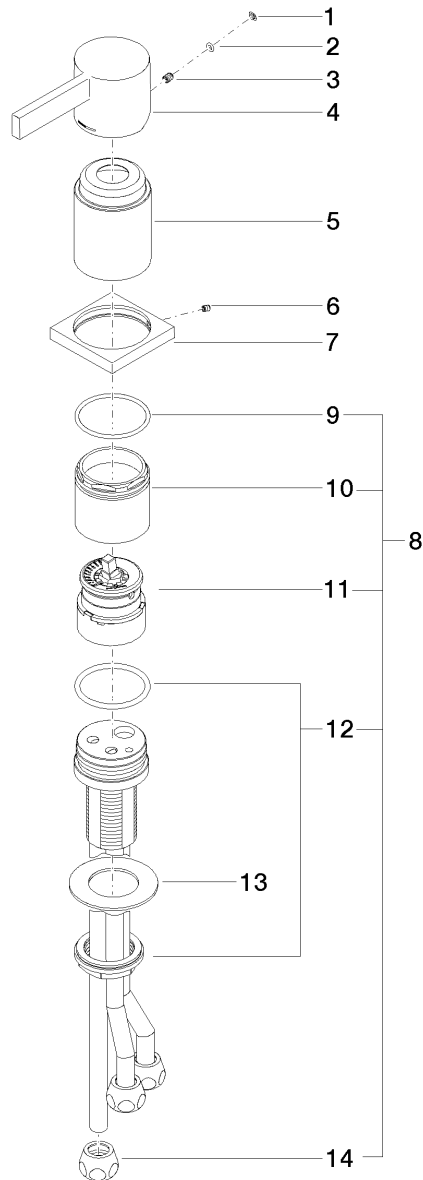
NOTE: Local building codes may require the use of an anti-scald device. Please refer to remote pressure balance valve (35 910 970 90)



Surfaces

- chrome 29200670-00
- matt platinum 29200670-06

Exploded assembly drawing



Order quantity

No.	Article number	Name	Installation quantity
1	093120087ff	plug	1
2	09141013390	seal	1
3	09311107990	pin	1
4	092067013ff	handle	1
5	091102112ff	cover	1
6	09311104490	pin	1
7	092767011ff	rosette	1
9	0415050509790	cartridge	1
9	09141004990	seal	1
10	09170103390	base	1
11	9015050500190	cartridge	1
12	0423100410090	fixing set	1
13	09301106090	disc	1
14	0423300410090	threaded connector	3

Flow rate chart

