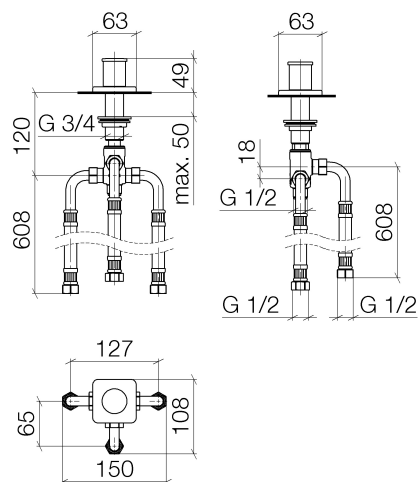




**Product specifications**

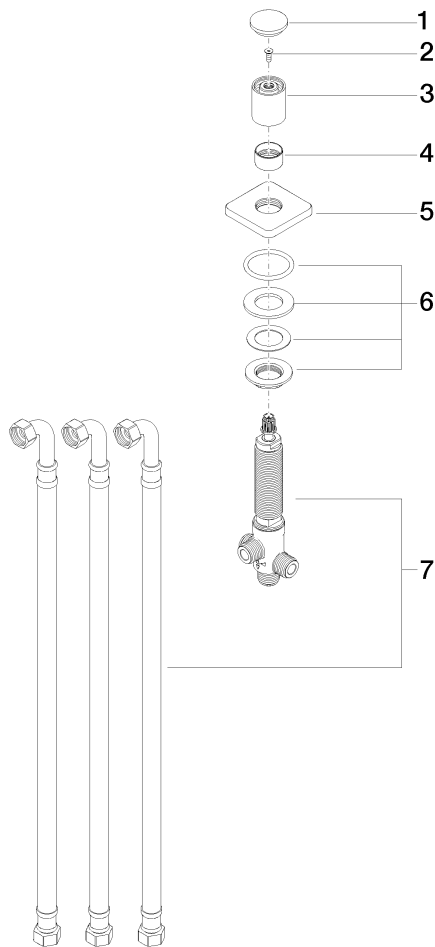
- Integrated diverter
- 1-1/4" hole diameter
- Flange 2-1/2" x 2-1/2"
- 1/2" connection
- Water flow rate limited to max. 17.1 gpm



**Surfaces**

- chrome 29140710-00
- matt platinum 29140710-06

**Exploded assembly drawing**





**Order quantity**

<b>No.</b>	<b>Article number</b>	<b>Name</b>	<b>Installation quantity</b>
1	092071003ff	handle	1
2	9030300140090	screw	1
3	092071002ff	handle	1
4	091601012ff	ring	1
5	092771008ff	rosette	1
6	0423100040390	fixing set	1
7	9017090510090	diverter	1

