



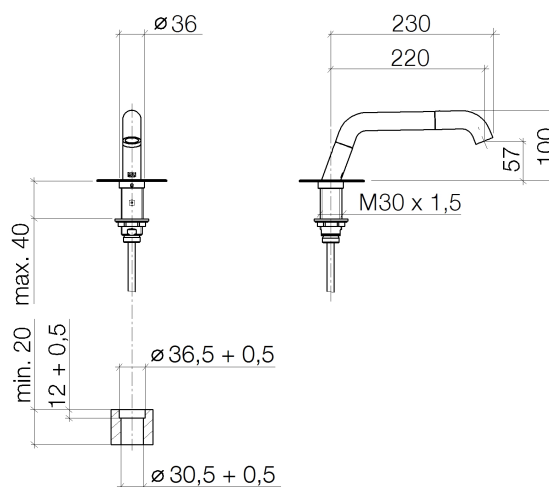
Product specifications

- **8-5/8" Projection**

- Swivel spout 160°
- Laminar stream
- Total height 3-7/8"
- Height to water exit point 2-1/4"
- 1-3/8" / 1-1/8" hole diameter
- Without flange
- Water flow rate limited to max. 2.5 gpm
- low lead compliant

A precise stepped hole is required for installation; this must be drilled prior to installation by the countertop fabricator. Installation can be made only in waterproof material.

The dimensions of the stepped hole can be found at www.Dornbracht.com.

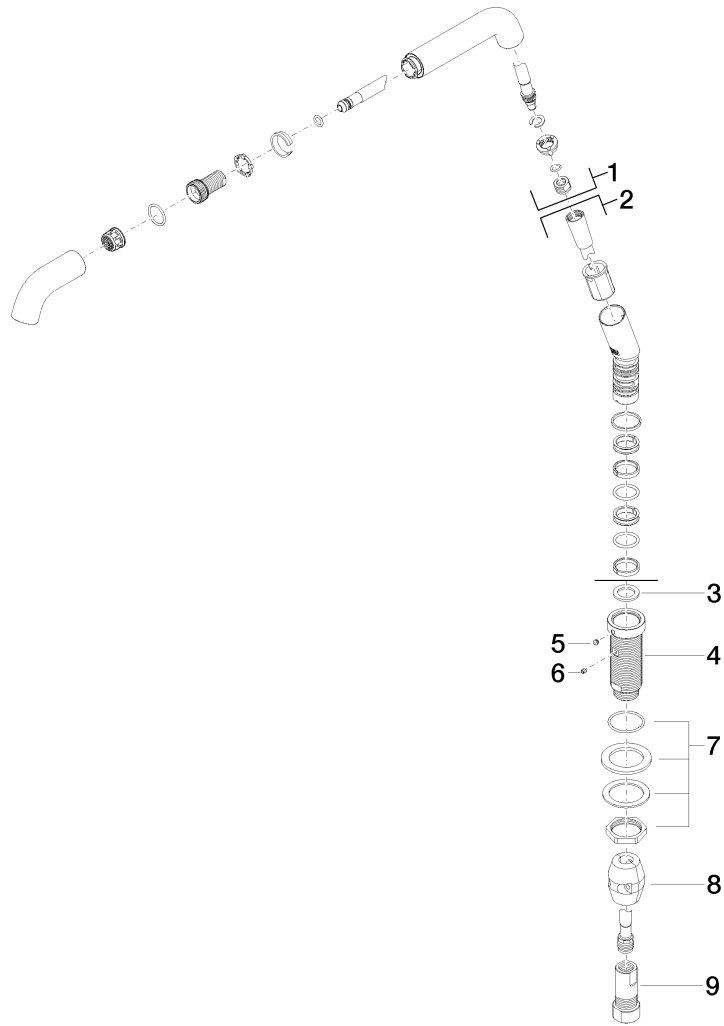




Surfaces

- chrome 27728973-00
- matt platinum 27728973-06
- Cyprum 27728973-49

Exploded assembly drawing



Order quantity

No.	Article number	Name	Installation quantity
1	90282226400ff	affusion pipe	1
2	90282226000ff	spout	1
3	09141506590	seal	1
4	093001196ff	connection	1
5	09311106390	pin	1
6	09311109990	pin	1
7	0430110386890	fixing set	1
8	0421500050090	accessories	1
9	0424032410090	nipple	1

