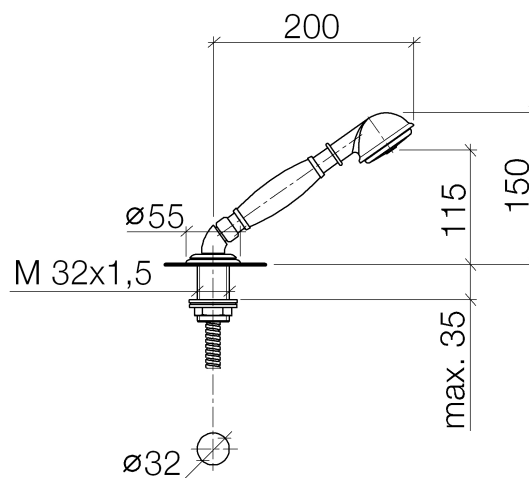




Product specifications

- Ø 2-1/2"
- Standard spray
- Descaling system
- Flange diameter 2-1/8"
- 1-1/4" hole diameter
- Metal shower hose 68-7/8" with anti-twist device
- Water flow rate limited to max. 2 gpm

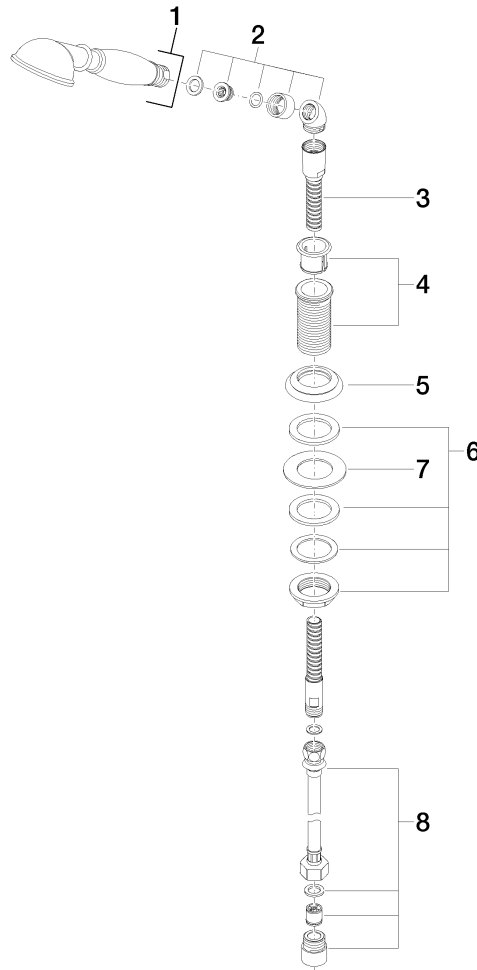
Subsequent shower hose replacement possible without removing the fitting due to two-part construction.



Surfaces

- | | |
|-----------------|-------------|
| • chrome | 27703360-00 |
| • matt platinum | 27703360-06 |
| • platinum | 27703360-08 |
| • brass | 27703360-09 |

Exploded assembly drawing



**Order quantity**

No.	Article number	Name	Installation quantity
1	28002970ff0010	shower	1
2	28411970ff	angle	1
3	28322970ff	hose	1
4	04240401800ff	sleeve	1
5	092735002ff	rosette	1
6	0423100090090	fixing set	1
7	09301106090	disc	1
8	1250597090	hose	1

Flow rate chart

