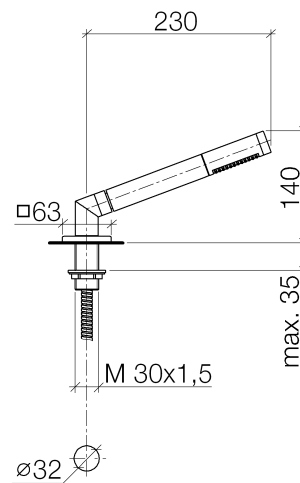




Product specifications

- Standard spray
- Descaling system
- Flange 2-1/2" x 2-1/2"
- 1-1/4" hole diameter
- Metal shower hose 68-7/8" with anti-twist device
- Water flow rate limited to max. 2 gpm

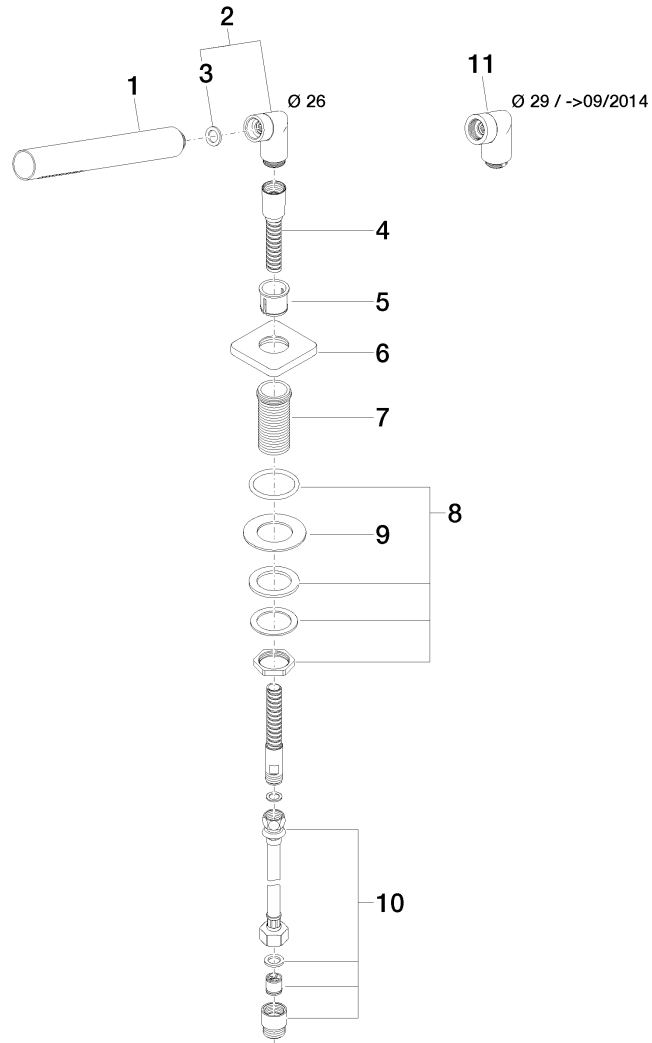
Internal backflow preventer.



Surfaces

- chrome 27702710-00
- matt platinum 27702710-06

Exploded assembly drawing



**Order quantity**

No.	Article number	Name	Installation quantity
1	28013979ff0010	shower	1
2	04240428700ff	nipple	1
3	09142000290	seal	1
4	28322970ff	hose	1
5	09184008590	sleeve	1
6	092771007ff	rosette	1
7	093001090-07	sleeve	1
8	0423100324690	fixing set	1
9	09301106090	disc	1
10	1250597090	hose	1
11	04240418700ff	nipple	1

Flow rate chart

