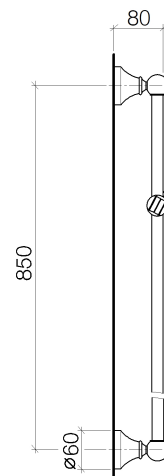




Product specifications

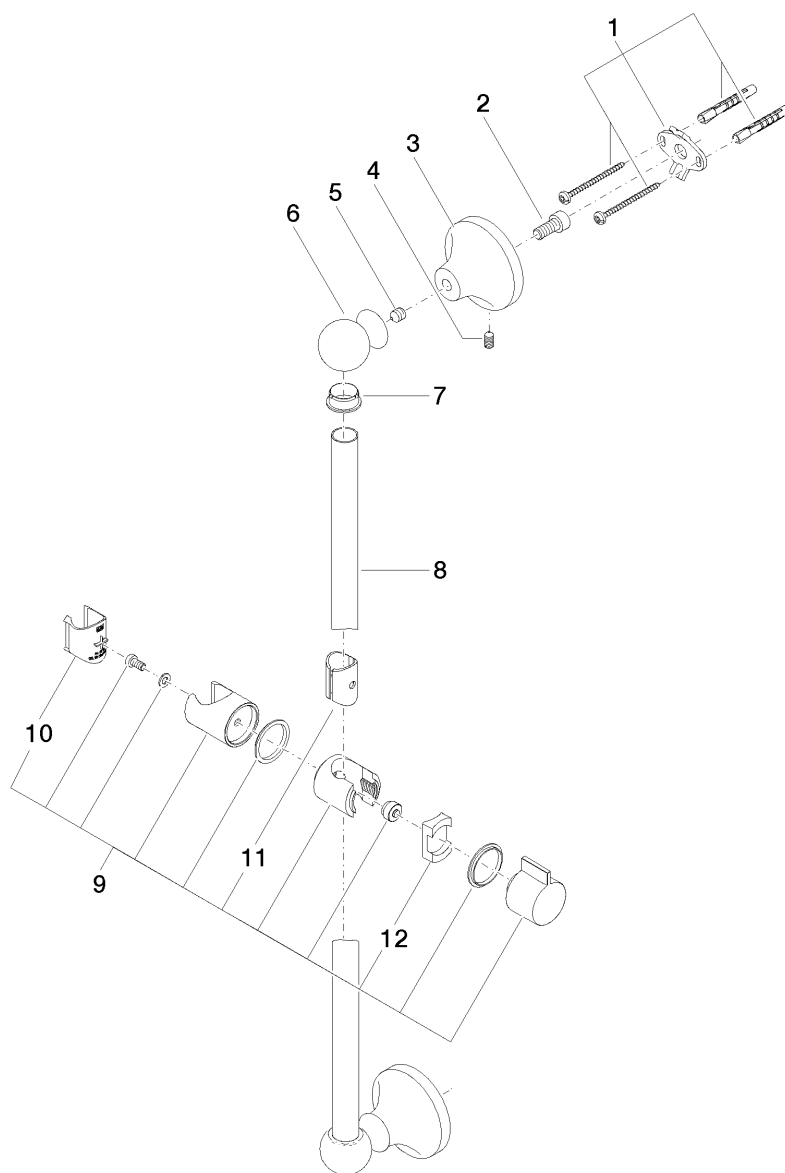
- 3-1/2" Projection
- Flange diameter 2-1/2"
- Center to center 33-1/2"



Surfaces

- | | |
|-----------------|-------------|
| • chrome | 26701410-00 |
| • matt platinum | 26701410-06 |
| • platinum | 26701410-08 |
| • brass | 26701410-09 |

Exploded assembly drawing



Order quantity

No.	Article number	Name	Installation quantity
1	0517207080090	fixing set	2
2	09303004890	screw	2
3	091720016ff	holder	2
4	09311114490	pin	2
5	09311100290	pin	2
6	092140020ff	connection	2
7	09184000990	sleeve	2
8	082822596ff	pipe	1
9	05301250002ff	slider	1
10	08184054690	sleeve	1
11	08184051590	sleeve	1
12	08184051490	sleeve	1