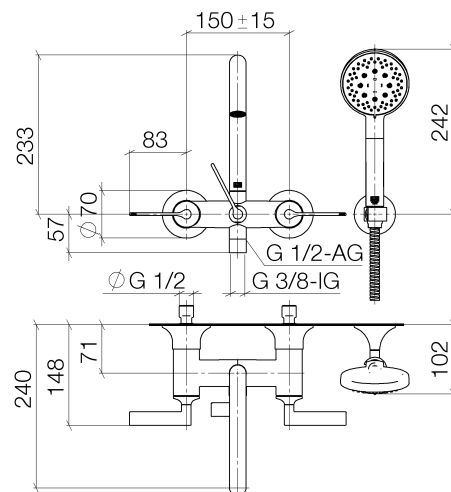




Product specifications

- **240 mm projection**
- spout: circular, air-enriched flow
- complete hand shower set: normal flow
- complete hand shower set with anti-scale system
- rotary diverter for bath/shower
- slide-on rosettes Ø 70 mm
- rosette for shower holder Ø 60mm
- 1/2" connection
- gauge 150 mm - 15 mm
- metal shower hose 1250mm with integrated anti-twist protection
- max. spout flow rate 25.2 l/min
- max. flow for complete hand shower set 7.6 l/min

Intrinsic protection against back flow.

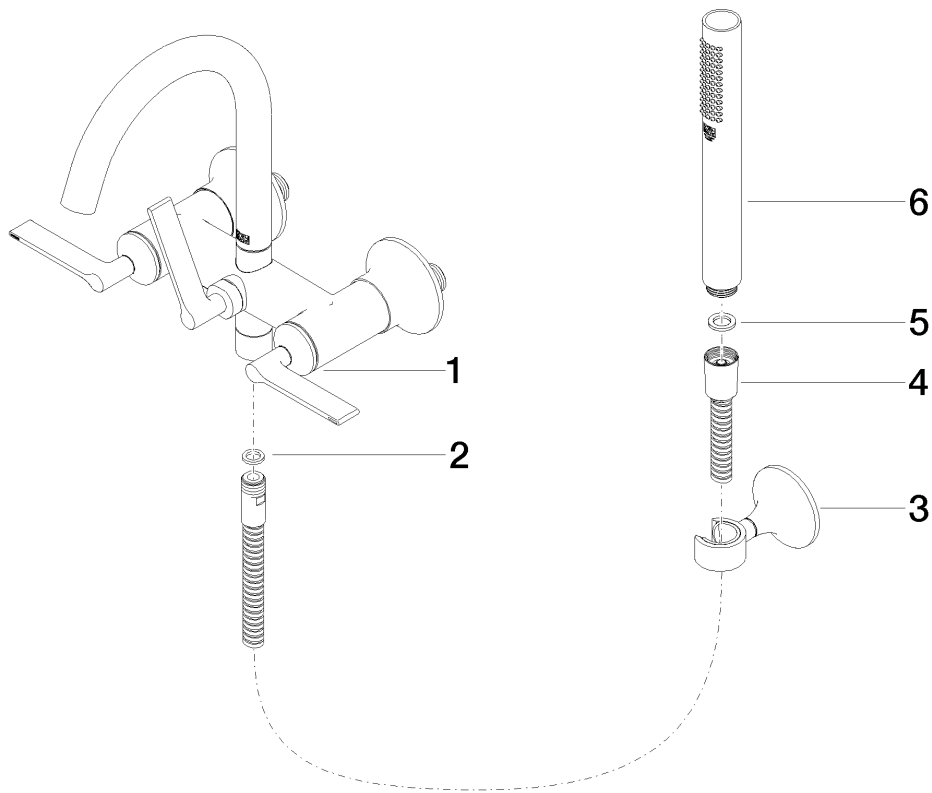




Surfaces

- chrome 25133819-00
- platinum matt 25133819-06
- 25133819-99

Exploded assembly drawing





Order quantity

No.	Article number	Name	Installation quantity
1	25100819ff	shower set	1
2	09142002690	seal	1
3	28050809ff	holder	1
4	093002072ff	hose	1
5	09142000290	seal	1
6	28013979ff0010	shower	1

Flow rate chart

