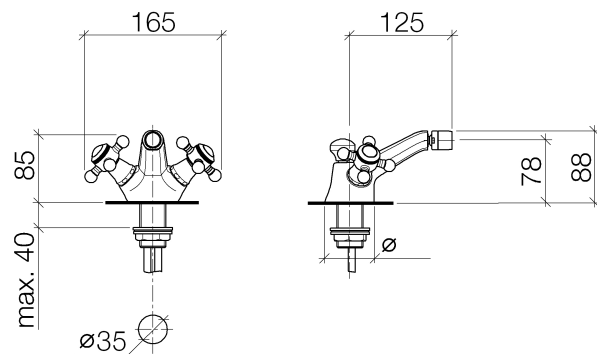




Product specifications

- **4-7/8" Projection**
- **European drain with overflow**
- Ball-joint pivotable through 15°
- Round aerated stream
- Total height 3-1/2"
- Height to aerator/spout outlet 3-1/8"
- 1-3/8" hole diameter
- 2x 10 mm European flexible supply lines
- Water flow rate limited to max. 1.8 gpm



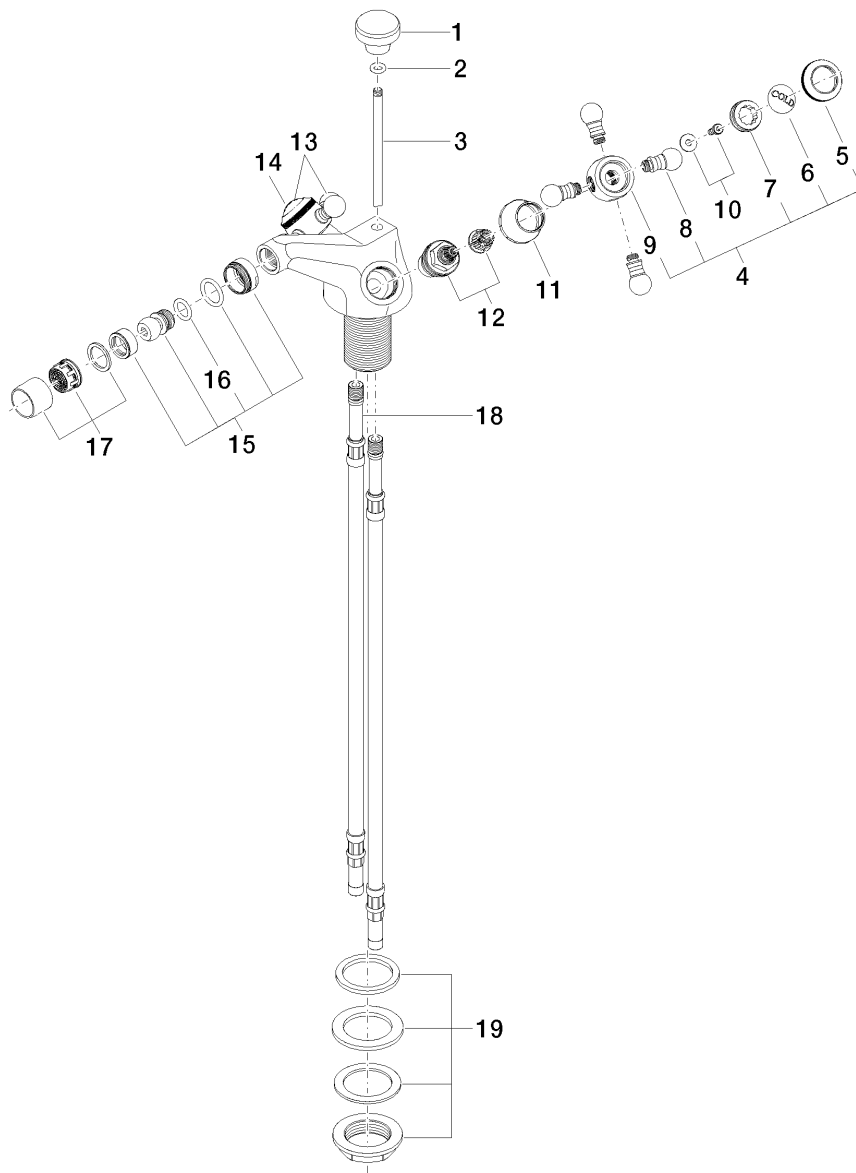
Surfaces

- | | |
|-----------------|-------------|
| • chrome | 24510360-00 |
| • matt platinum | 24510360-06 |
| • platinum | 24510360-08 |
| • brass | 24510360-09 |

Accessories required

- Drain; 04 11 01 023 00
- Flexible supply line 3/8"; 04 30 04 045 00

Exploded assembly drawing



20 Ablaufgarnitur 04.11.01.001.00-ff

Order quantity

No.	Article number	Name	Installation quantity
1	092036030ff	handle	1
2	09141006290	seal	1
3	093109004ff	pull-rod	1
4	04203600206ff	handle (cold)	1
5	092036005ff	handle	2
6	09260101090	accessories	1
7	09208300690	handle	2
8	092036004ff	handle	4
9	092036002ff	handle	2
10	0430300290090	fixing set	2
11	092102055ff	cover	2
12	9090031510090	top	2
13	04203600207ff	handle (hot)	1
14	09260101190	accessories	1
15	04214000700ff	joint	1
16	09141001190	seal	1
17	90230111902ff	aerator	1
18	0430040640090	hose	2
19	0423100090190	fixing set	1
20	04110100100ff	pop-up waste	1

