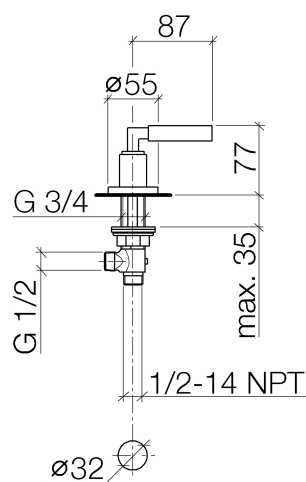




Product specifications

- 1-1/4" hole diameter
- Flange diameter 2-1/8"

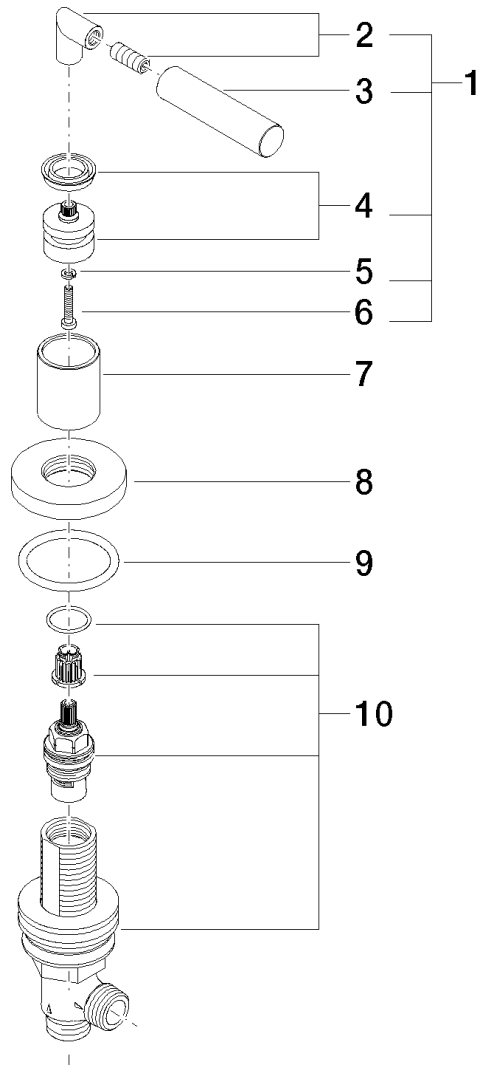
(ADA)



Surfaces

- | | |
|-----------------|-------------|
| • chrome | 20000883-00 |
| • matt platinum | 20000883-06 |
| • platinum | 20000883-08 |
| • matt black | 20000883-33 |

Exploded assembly drawing



Order quantity

| No. | Article number | Name | Installation quantity |
|------------|-----------------------|-------------|------------------------------|
| 1 | 04208805200ff | handle | 1 |
| 2 | 04182002200ff | angle | 1 |
| 3 | 092088052ff | handle | 1 |
| 4 | 90121200700ff | base | 1 |
| 5 | 09301102990 | disc | 1 |
| 6 | 09303007590 | screw | 1 |
| 7 | 092102140ff | sleeve | 1 |
| 8 | 092789105ff | rosette | 1 |
| 9 | 09141004390 | seal | 1 |
| 10 | 9017110403090 | side panel | 1 |

