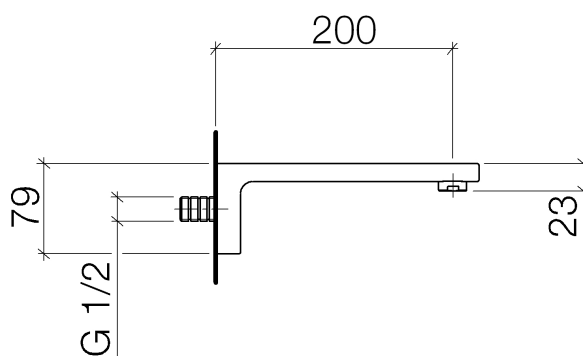




Product specifications

- **7-7/8" Projection**
- Round aerator
- 1-1/2" hole diameter
- 1/2" connection
- Plug-in connection mounting
- Water flow rate limited to max. 6.1 gpm



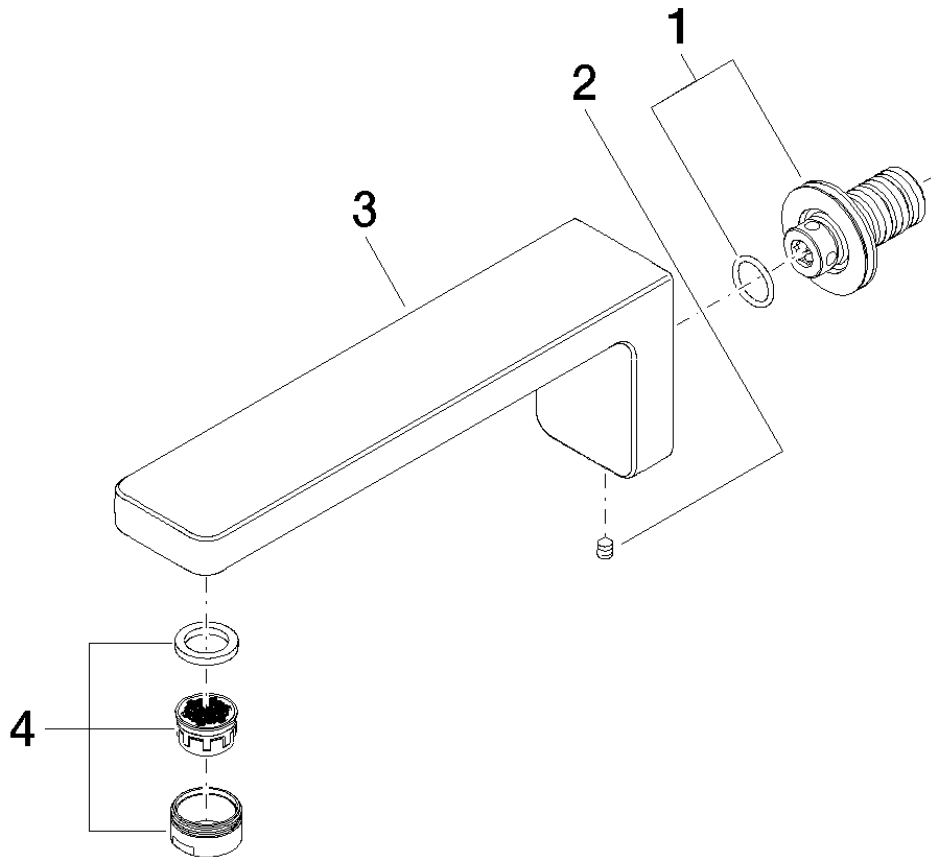
Surfaces

- chrome 13801710-00
- matt platinum 13801710-06

Accessories required

- Rough-in adapter; 35 080 970

Exploded assembly drawing





Order quantity

No.	Article number	Name	Installation quantity
1	9024031080090	nipple set	1
2	0431110040090	pin	1
3	09117109010ff	spout	1
4	90230111800ff	aerator	1

