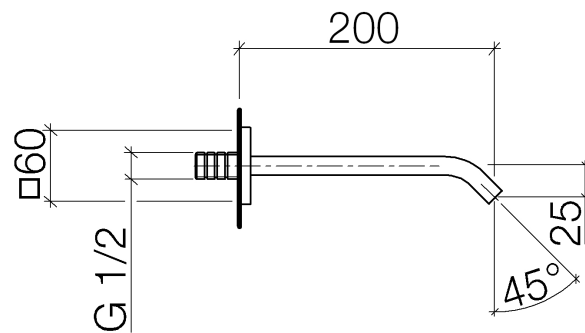




Product specifications

- **7-7/8" Projection**
- Rectangular aerator
- 1-1/2" hole diameter
- 1/2" connection
- Water flow rate limited to max. 6.9 gpm



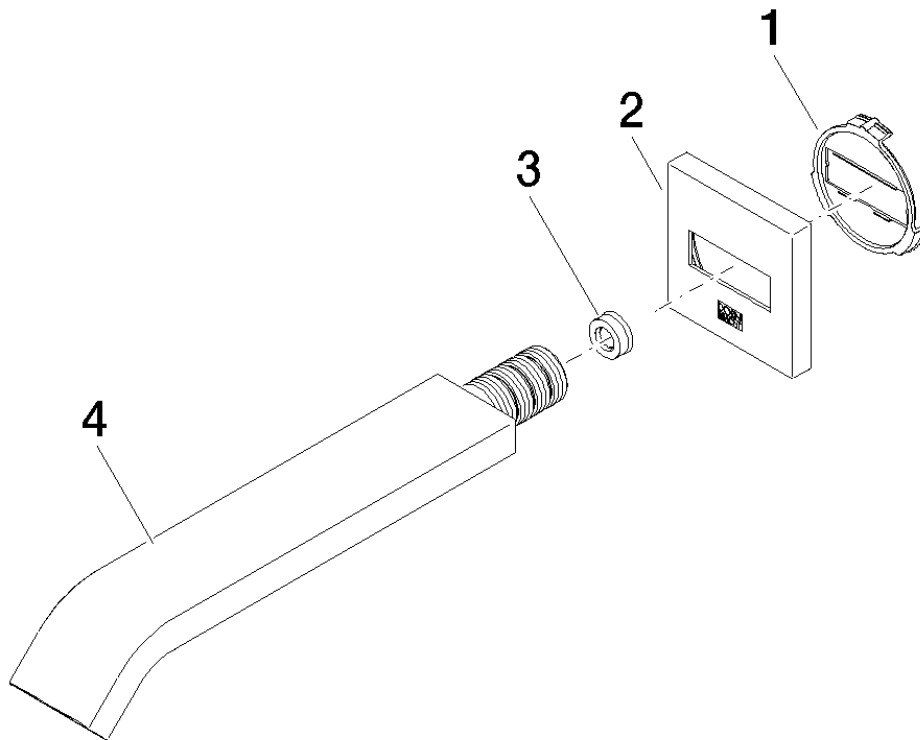
Surfaces

- chrome 13801670-00
- matt platinum 13801670-06

Accessories required

- Rough-in adapter; 35 080 970

Exploded assembly drawing





Order quantity

No.	Article number	Name	Installation quantity
1	09184013990	base	1
2	092767008ff	rosette	1
3	09230105790	flow reducer	1
4	04282224100ff	spout	1

