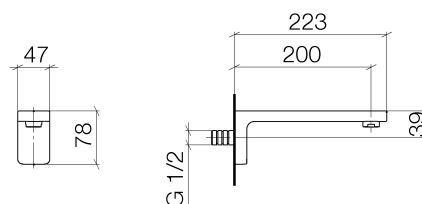


### Product specifications

- **200 mm projection**
- fixed spout
- circular, air-enriched flow
- hole diameter 40 mm
- 1/2" connection
- plug-link mounting
- max. flow 7 l/min
- lead-free

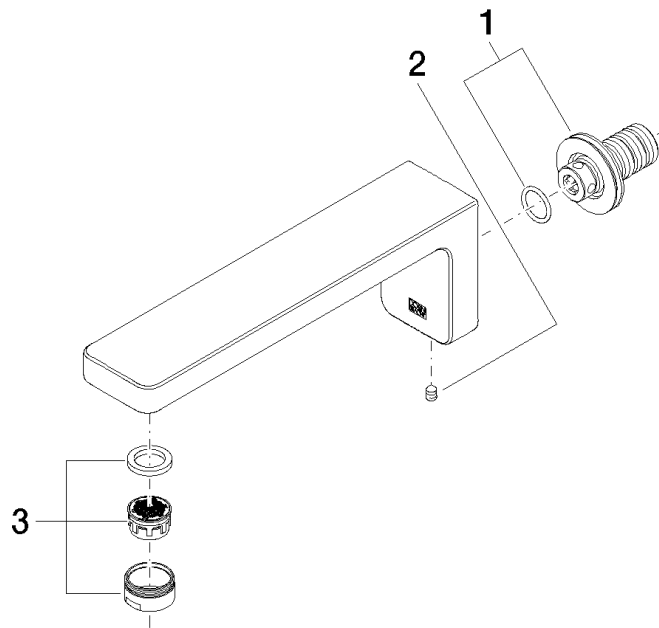
**Available for delivery from the second quarter of 2017.**



### Surfaces

- chrome 13800710-00

**Exploded assembly drawing**





**Order quantity**

<b>No.</b>	<b>Article number</b>	<b>Name</b>	<b>Installation quantity</b>
<b>1</b>	9024031080090	nipple set	1
<b>2</b>	0431110040090	pin	1
<b>3</b>	90230111801ff	aerator	1

**Flow rate chart**

