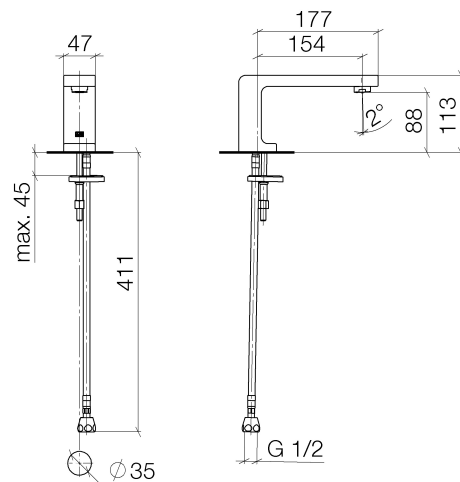


Product specifications

- 155 mm projection
- fixed spout
- circular, air-enriched flow
- height of mixer 114 mm
- height up to aerator 90 mm
- hole diameter 35 mm
- 2x screw-in M 8 x 1 pressure hose, leak-tested
- 1/2" connection
- max. flow 7 l/min
- lead-free

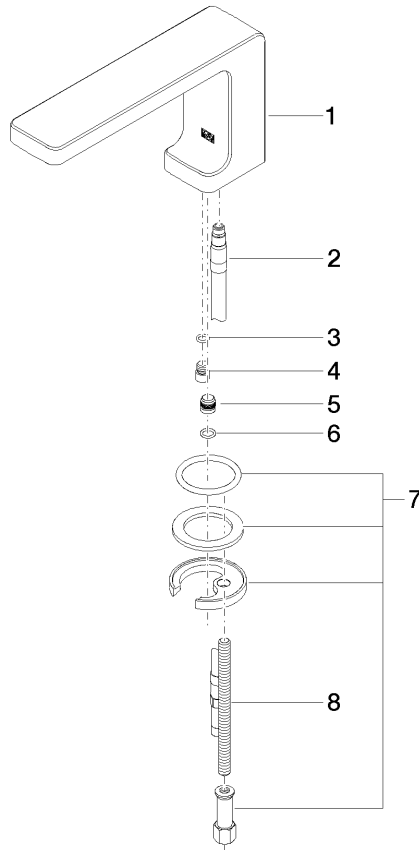
Available for delivery from the second quarter of 2017.



Surfaces

- chrome 13716710-00

Exploded assembly drawing



Order quantity

No.	Article number	Name	Installation quantity
1	90117109600ff	spout	1
2	0430040180090	hose	1
3	09141013290	seal	1
4	09312010890	plug	1
5	09312005290	plug	1
6	09141006190	seal	1
7	0430110387590	fixing set	1
8	09311101290	pin	1



Flow rate chart

