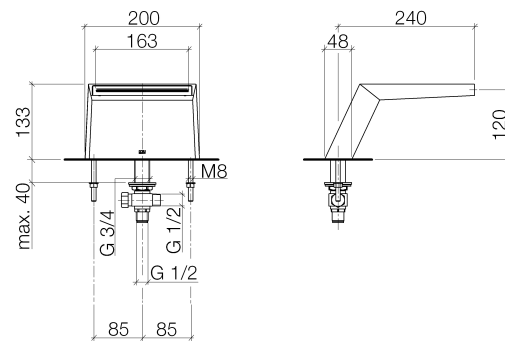




Product specifications

• **9-1/2" Projection**

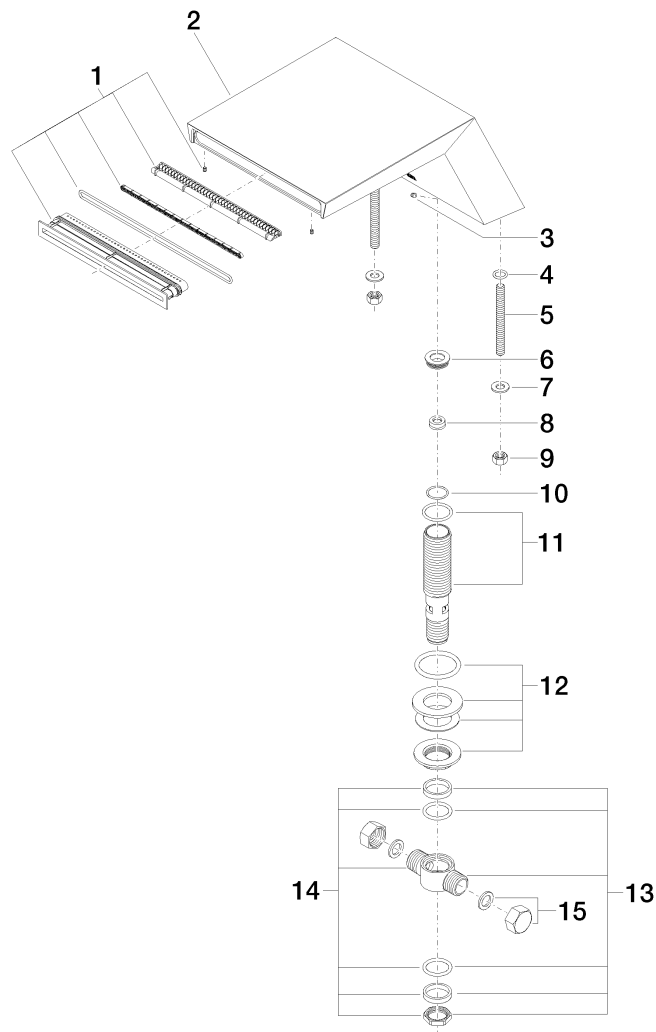
- Cascade
- Total height 5-1/4"
- Height to aerator/spout outlet 4-3/4"
- 1-1/4" hole diameter
- 1/2" connection
- Water flow rate limited to max. 7 gpm



Surfaces

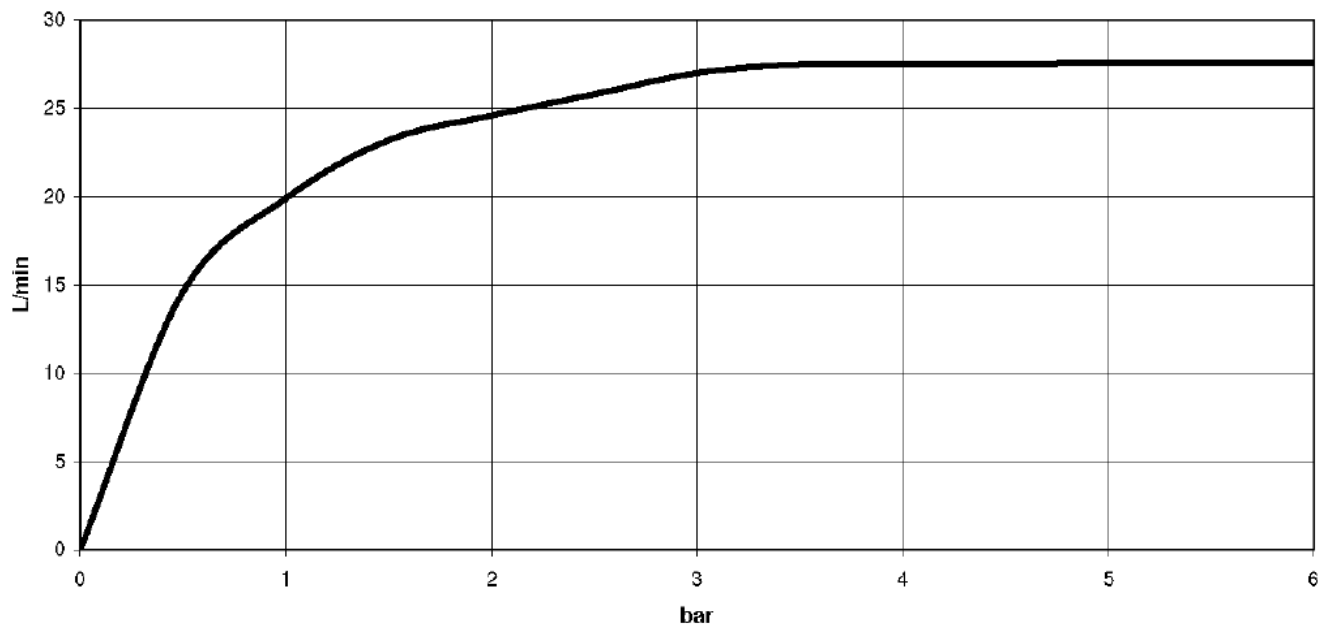
- chrome 13630730-00
- champagne 13630730-47

Exploded assembly drawing



**Order quantity**

No.	Article number	Name	Installation quantity
1	9029030590090	insert	1
2	091173001ff	spout	1
3	09311104490	pin	1
4	09141000890	seal	2
5	09311101190	pin	2
6	0924042462090	nipple	1
7	09301104590	disc	2
8	09230105790	flow reducer	1
9	09231002390	nut	2
10	09141014090	seal	1
11	9030010330090	base	1
12	0423100040490	fixing set	1
13	0417110201090	distributor	1
14	9023100120090	gasket kit	1
15	0421020060092	cap	1



Trajectory Diagram

