



Product specifications

- Option 1: Two towel bars, back to back
- Option 2: One towel bar, two blanks on back
- Option 3: One towel bar, one blank and one door handle on back
- Option 4: One towel bar, two door handles

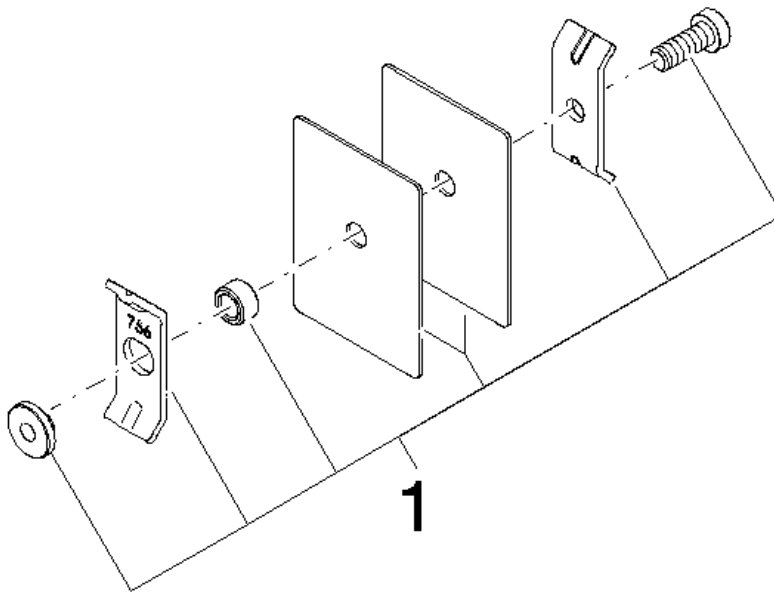
NOTE: Standard glass mounting is for 3/8" glass only.

For 1/2" or larger please contact Dornbracht Technical Service.

Surfaces

- 1235197090

Exploded assembly drawing



Bath & Spa

Deque Mounting bracket for two-sided glass attachment

Article number: 1235197090



Order quantity

No.	Article number	Name	Installation quantity
1	1235197090	fixing set	1