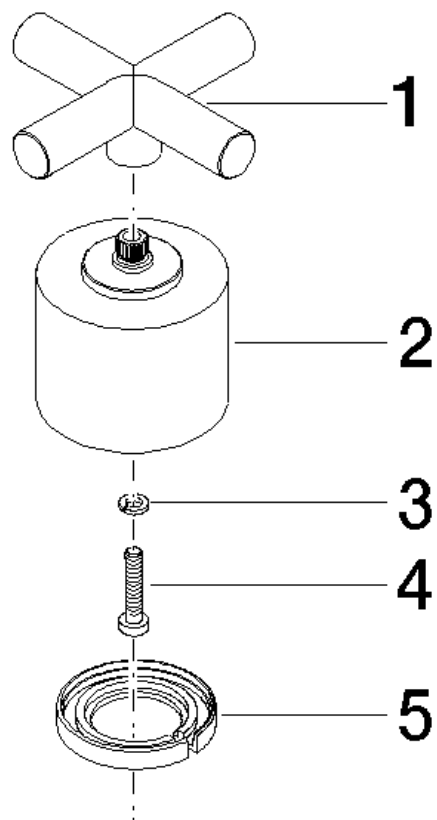


**Exploded assembly drawing**





**Order quantity**

<b>No.</b>	<b>Article number</b>	<b>Name</b>	<b>Installation quantity</b>
1	092089010ff	handle	1
2	092097022ff	handle	1
3	09301102990	disc	1
4	09303007590	screw	1
5	09160100690	ring	1