

see what Delta can do™

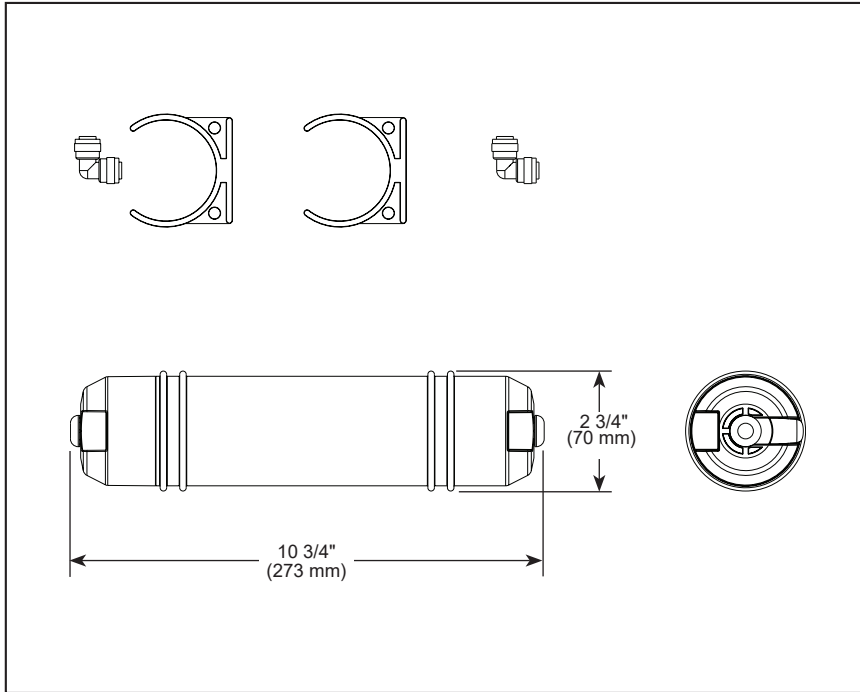
## CLARIFI™ REMINERALIZER CARTRIDGE

### STANDARD SPECIFICATIONS:

- Offers a 7th Stage of filtration, to be used only with Clarifi™ Tankless Reverse Osmosis System DWQ1001012
- For cold water use only
- In-line installation
- The remineralization filter should only be connected downstream of the pure water line of the Clarifi™ Tankless Reverse Osmosis System
- Recommended Lifespan - 1,320 gallons or 2 years whichever comes first.  
(Filter life dependent on usage)
- Operating Temperature: 41°F to 100°F (5°C to 38°C)
- Operating Pressure: 20 to 87 PSI (0.14 MPa to 0.6 MPa)
- Comes with two 1/4" to 1/4" push to connect adapters for quick installation

### WARRANTY

- This Delta® reverse osmosis system is warranted to the original consumer purchaser or commercial user, as applicable, to be free from defects in material and workmanship for the applicable period specified below:
  - Reverse Osmosis Machine and Components: Five (5) years from the date the product was received by the original consumer purchaser or their authorized representative (installation contractor, etc.)
  - Pre-Filter, Filter Cartridge and Remineralizer: Thirty (30) days from the date that the product is received by the original purchaser or their authorized representative (installation contractor, etc.)
- Please go to [www.deltafaucet.com](http://www.deltafaucet.com) for the complete details of our limited warranty.



### COMPLIES WITH:

The remineralizer has been certified by IAPMO R&T against NSF/ANSI 42 and 372 for material safety, structural integrity, and lead-free requirements.