



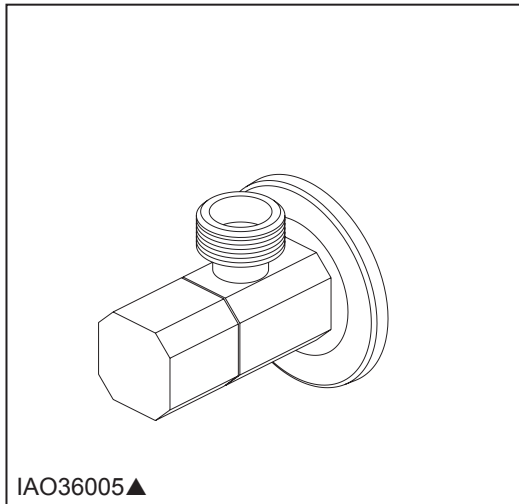
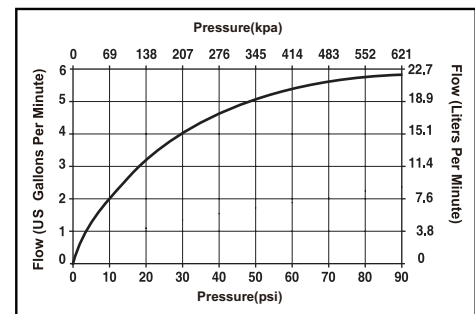
see what Delta can do™

ANGLE VALVE

STANDARD SPECIFICATIONS:

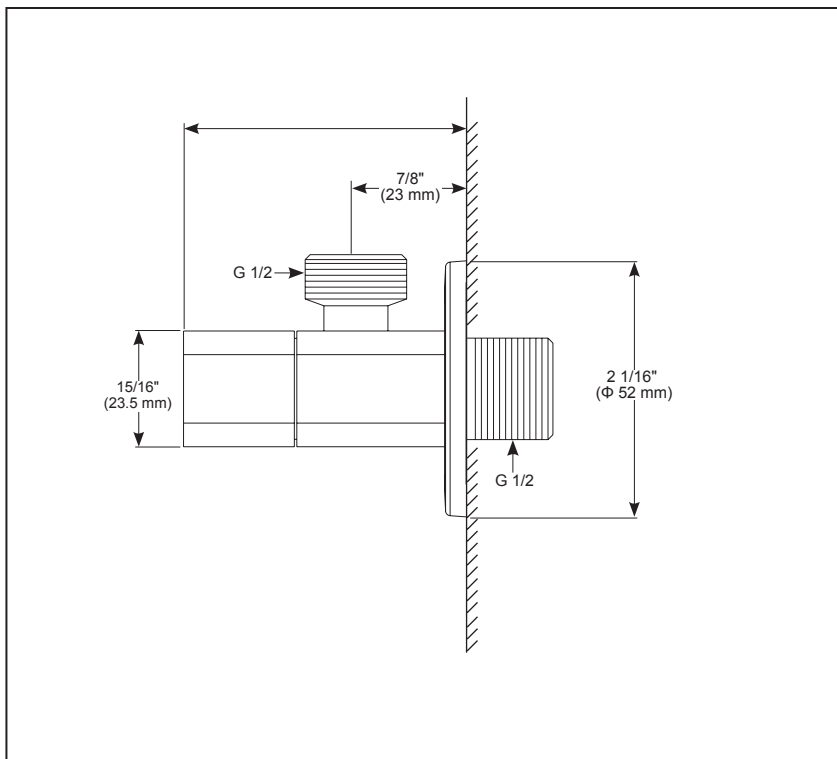
- Quarter Turn Angle Stop Valve
- Brass Forged body
- Flange / Escutcheon included
- Ceramic disc cartridge
- Tested for 10,000 life cycles
- 100% Faucet Tested
- G 1/2 - ISO228/1-2000 male thread connection

FLOW CURVE:



Submitted Model No.: _____

Specific Features: _____



▲ Designate proper finish suffix