



see what Delta can doSM

STEAM CONTROL AND HEAD

■ Contemporary Square

STEAM CONTROL FEATURES:

- Finger-light touchscreen operation
- 12 user presets programmable for duration, temperature and optional audio option
- Temperature range 50 °F min to 125 °F max
- Steam timer up to 60 minutes
- Built-in WiFi and Bluetooth capabilities
- Operates Audio option
- Patented Dual Sensor Technology: The control features dual temperature sensors that deliver extremely accurate temperature precision to smoothly regulate the steam shower environment

STEAM CONTROL STANDARD SPECIFICATIONS:

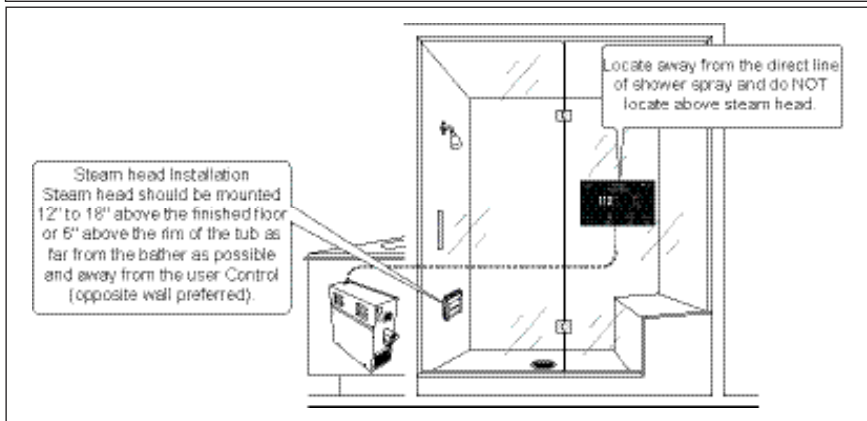
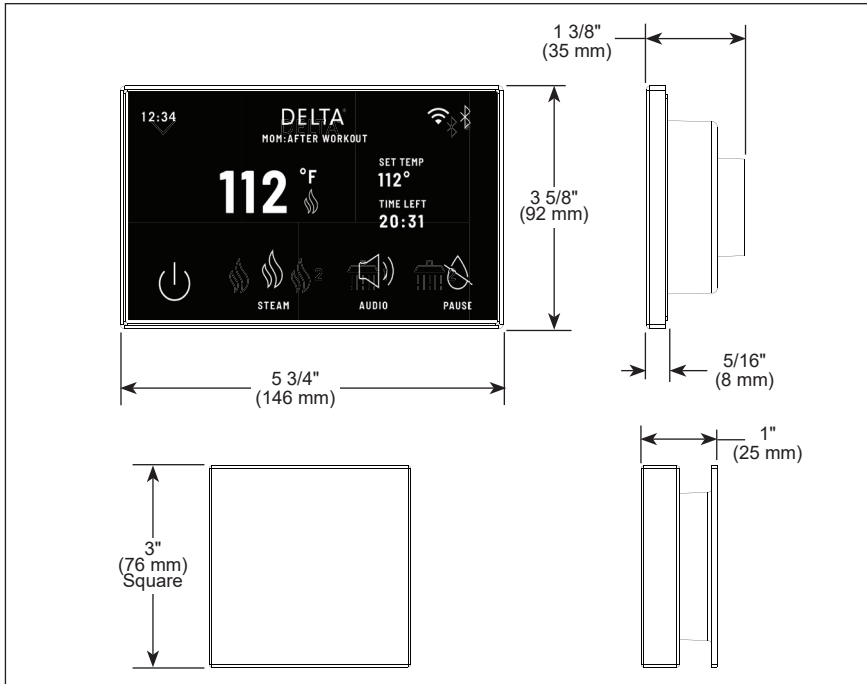
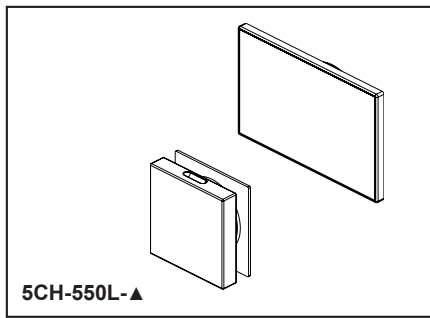
- Surface Mount - 2 3/4" hole required
- Must mount inside the steam room
- It is recommended that the multi-conductor cable be run through 3/4" conduit to protect cable from damage and to facilitate easy replacement
- Mount control near seating area and not above Steamhead
- Control should be mounted 48" above the floor
- Required Electrical Service: Low-voltage connection from the 5GE-SMP steam generator via multi-conductor cable (supplied with generator)
- IMPORTANT: Interface may be installed in a Portrait or Landscape orientation. Please note the 'TOP' of control prior to mounting.

STEAMHEAD STANDARD SPECIFICATIONS:

- Includes 3/4" NPT female thread for connection to steam line
- Steam line should protrude 1/4" to 1/2" from finished surface
- Steam head should be mounted 12" - 18" above the finished floor or 6" above the rim of the tub. The mounting location must also not be directly beneath the control and should be as far from the seating area as possible.
- Includes silicone cover
- Essential oil reserve on top of steam head

WARRANTY

- See separate warranty document



COMPLIES WITH:

- This device complies with part 15 of the FCC Rules. This device contains license-exempt transmitter(s)/receiver(s) that comply with Innovation, Science and Economic Development Canada's license-exempt RSS(s) and operation is subject to the following two conditions:
 - (1) This device may not cause interference.
 - (2) This device must accept any interference, including interference that may cause undesired operation of the device.

This equipment has been tested and found to comply with the limits for a Class B digital device, pursuant to Part 15 of the FCC Rules. These limits are designed to provide reasonable protection against harmful interference in a residential installation. This equipment generates, uses and can radiate radio frequency energy and, if not installed and used in accordance with the instructions, may cause harmful interference to radio communications. However, there is no guarantee that interference will not occur in a particular installation. If this equipment does cause harmful interference to radio or television reception, which can be determined by turning the equipment off and on, the user is encouraged to try to correct the interference by one or more of the following measures:

- Reorient or relocate the receiving antenna.
- Increase the separation between the equipment and receiver.
- Connect the equipment into an output on a circuit different from that to which the receiver is connected.
- Consult the dealer or an experienced radio/TV technician for help.

Pursuant to FCC 15.21 of the FCC rules, changes not expressly approved by Delta Faucet Co. might cause harmful interference and void the FCC authorization to operate this product.

▲ Designate Proper Finish Suffix

Delta reserves the right (1) to make changes in specifications and materials, and (2) to change or discontinue models, both without notice or obligation. Dimensions are for reference only. See current full-line price book or www.deltafaucet.com for finish options and product availability.

DSP-S-5CH-550L Rev. A

Delta Faucet Company

55 E. 111th Street, Indianapolis, IN 46280
350 South Edgeware Road, St. Thomas, ON N5P 4L1
© 2023 Delta Faucet Company