

see what Delta can do™

BATHROOM FAUCETS

- C-Spout Series
- Single Handle Deck Mount

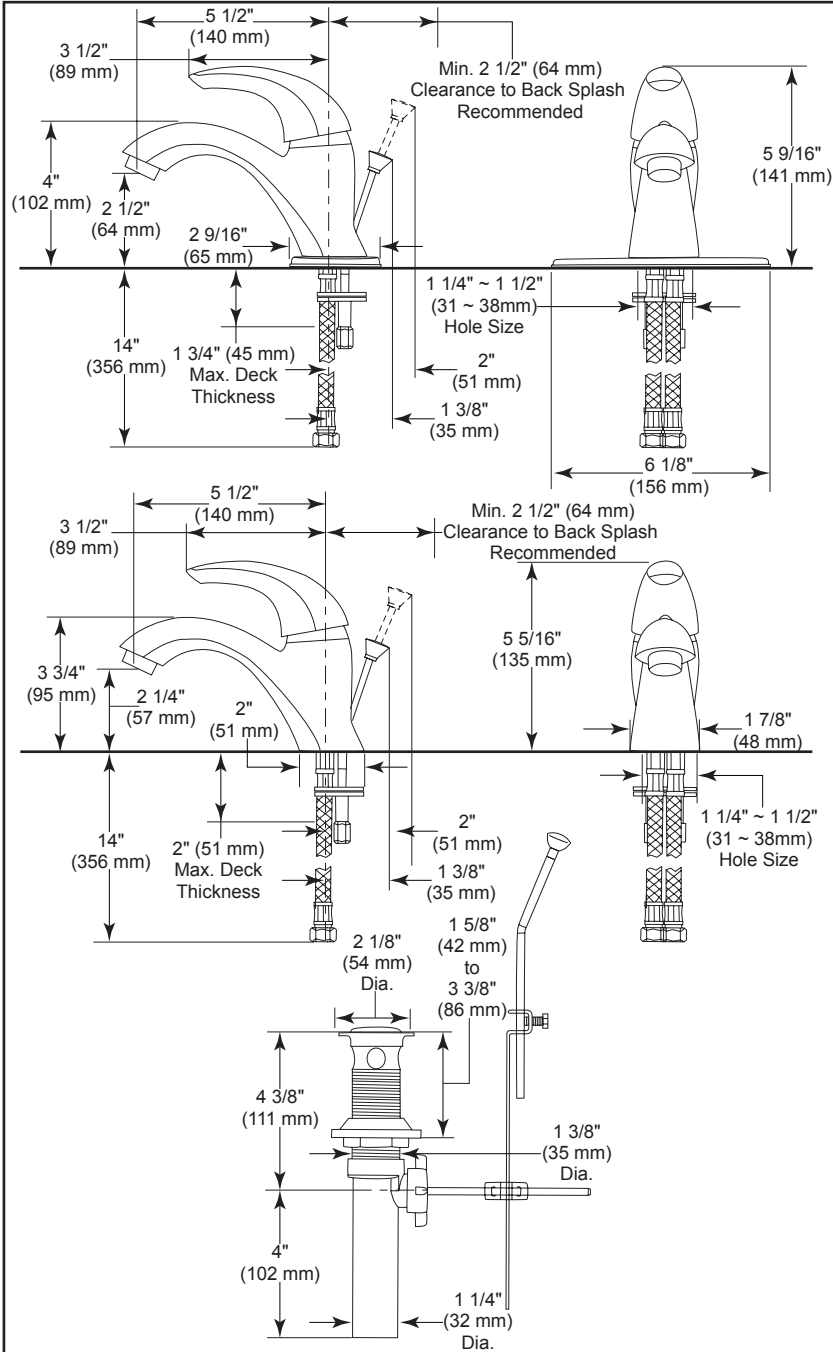
Submitted Model No.: _____
 Specific Features: _____

STANDARD SPECIFICATIONS:

- Max. flow rate 1.2 gpm @ 60 psi, 4.5 L/min @ 414 kPa
- One or three hole mount
- Ceramic cartridge with high temperature rotational limit stop
- Color coded plug button on handle for hot/cold identification
- Handle 3 1/2" (89 mm) lever handle - ADA compliant - color indexed
- 50/50 pop-up has metal flange with plastic drain
- 14" (356 mm) flexible supplies with 3/8" compression fittings

WARRANTY

- Parts and Finish - Lifetime limited warranty; or for commercial purchasers, 10 years for multi-family residential (apartments and condominiums) and 5 years for all other commercial uses, in each case from the date of purchase.
- Electronic Parts and Batteries (if applicable) - 5 years from the date of purchase; or for commercial purchasers, 1 year from the date of purchase. No warranty is provided on batteries.



COMPLIES WITH:

- ASME A112.18.1 / CSA B125.1
- ASME A112.18.2 / CSA B125.2
- Indicates compliance to ICC/ANSI A117.1 - Valve control only
- EPA WaterSense®
- Verified compliant with 0.25% weighted average Pb content regulations.

▲ Designate proper finish suffix

Delta reserves the right (1) to make changes in specifications and materials, and (2) to change or discontinue models, both without notice or obligation. Dimensions are for reference only. See current full-line price book or www.deltafaucet.com for finish options and product availability.