



see what Delta can do™

BATHROOM FAUCET

- Cassidy™ Series
- Two Handle Widespread Deck Mount
- Quick Snap® Installation

STANDARD SPECIFICATIONS:

- Max flow rate 1.2 gpm @ 60 psi, 4.5 L/min @ 414 kPa
- One hole mount
- Solid brass fabricated end valve and spout bodies
- LHP - Less Handle Program. See handle options below
- Hot and cold stems are interchangeable
- Control mechanism is the rotating cylinder type with stainless steel plate and 180° rotation, with replaceable non-metallic seats operating in stainless steel lined sockets
- Models have metal drain with pop-up type fitting with plated flange and stopper
- Note: Standard mounting deck thickness can be extended 1" with RP10612.

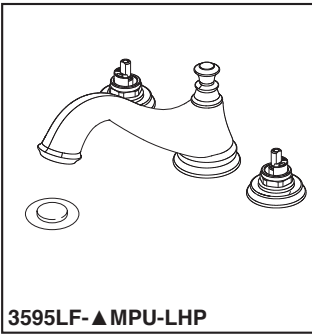
WARRANTY

- Parts and Finish - Lifetime limited warranty; or for commercial purchasers, 10 years for multi-family residential (apartments and condominiums) and 5 years for all other commercial uses, in each case from the date of purchase.
- Electronic Parts and Batteries (if applicable) - 5 years from the date of purchase; or for commercial purchasers, 1 year from the date of purchase. No warranty is provided on batteries.



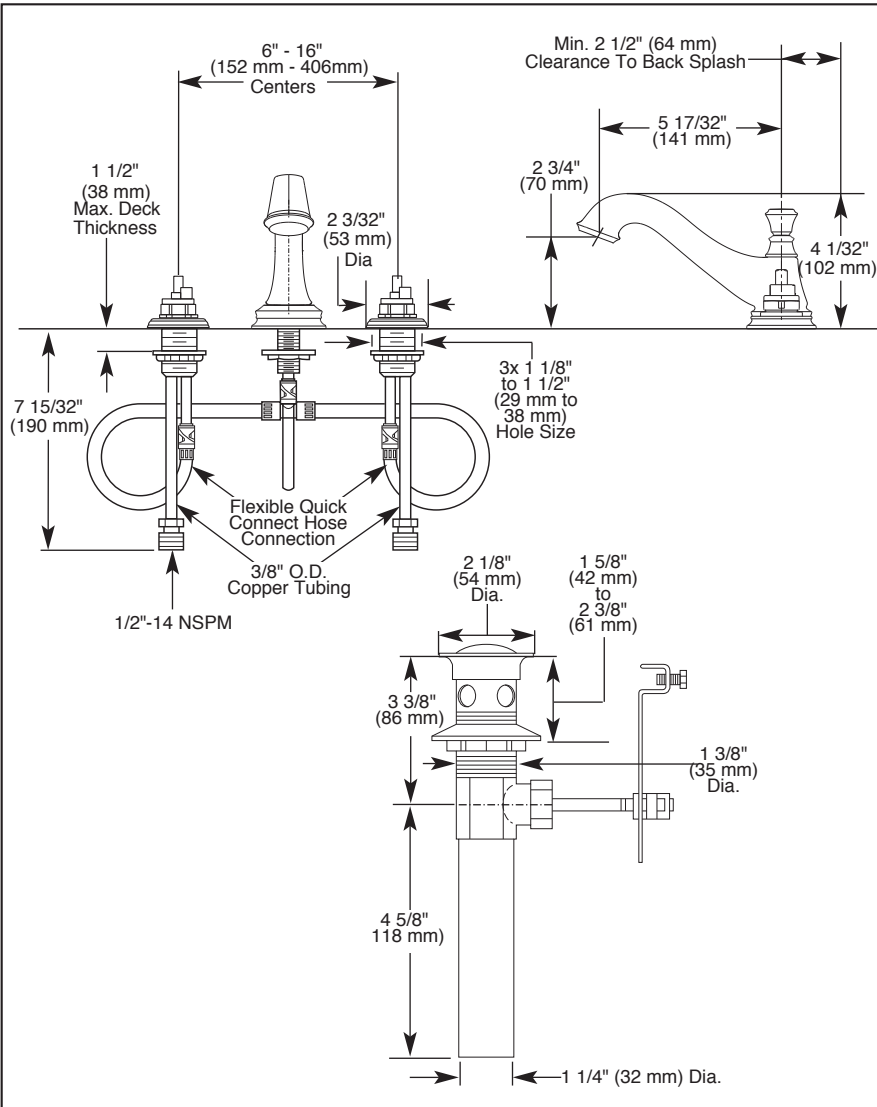
COMPLIES WITH:

- ASME A112.18.1 / CSA B125.1
- ASME A112.18.2 / CSA B125.2
- Indicates compliance to ICC/ANSI A117.1 - Valve control only
- EPA WaterSense®
- Verified compliant with 0.25% weighted average Pb content regulations.

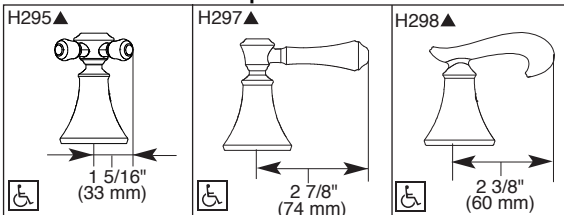


Submitted Model No.: _____

Specific Features: _____



Available LHP Handle Options



▲ Designate proper finish suffix

Delta reserves the right (1) to make changes in specifications and materials, and (2) to change or discontinue models, both without notice or obligation. Dimensions are for reference only. See current full-line price book or www.deltafaucet.com for finish options and product availability.

DSP-L-3595LF-MPU-LHP Rev. G

Delta Faucet Company

55 E. 111th Street, Indianapolis, IN 46280
 350 South Edgeware Road, St. Thomas, ON N5P 4L1
 © 2020 Delta Faucet Company