

see what Delta can do™

KITCHEN FAUCETS

- Signature® Pull-Out Series
- Touch-Clean® sprayhead
- Single Handle Deck Mount


STANDARD SPECIFICATIONS:

- Maximum 1.8 gpm @ 60 psi, 6.8 L/min @ 414 kPa
- WE models maximum 1.5 gpm @ 60 psi, 5.7 L/min @ 414 kPa.
- one or three hole mount (escutcheon optional, included).
- Diamond coated ceramic cartridge.
- 3/8" O.D. straight, staggered PEX supply lines.
- Spout rotates 120°.
- Red/blue indicator markings.
- Two function wand: Aerated stream or spray.
- Spout is connected to valve body with a 53" (1346 mm) long hose that extends to 34" (864 mm) usable length.
- Standard 3/8" (10 mm) compression gasket fittings.
- Integral double check valves in spout.

WARRANTY

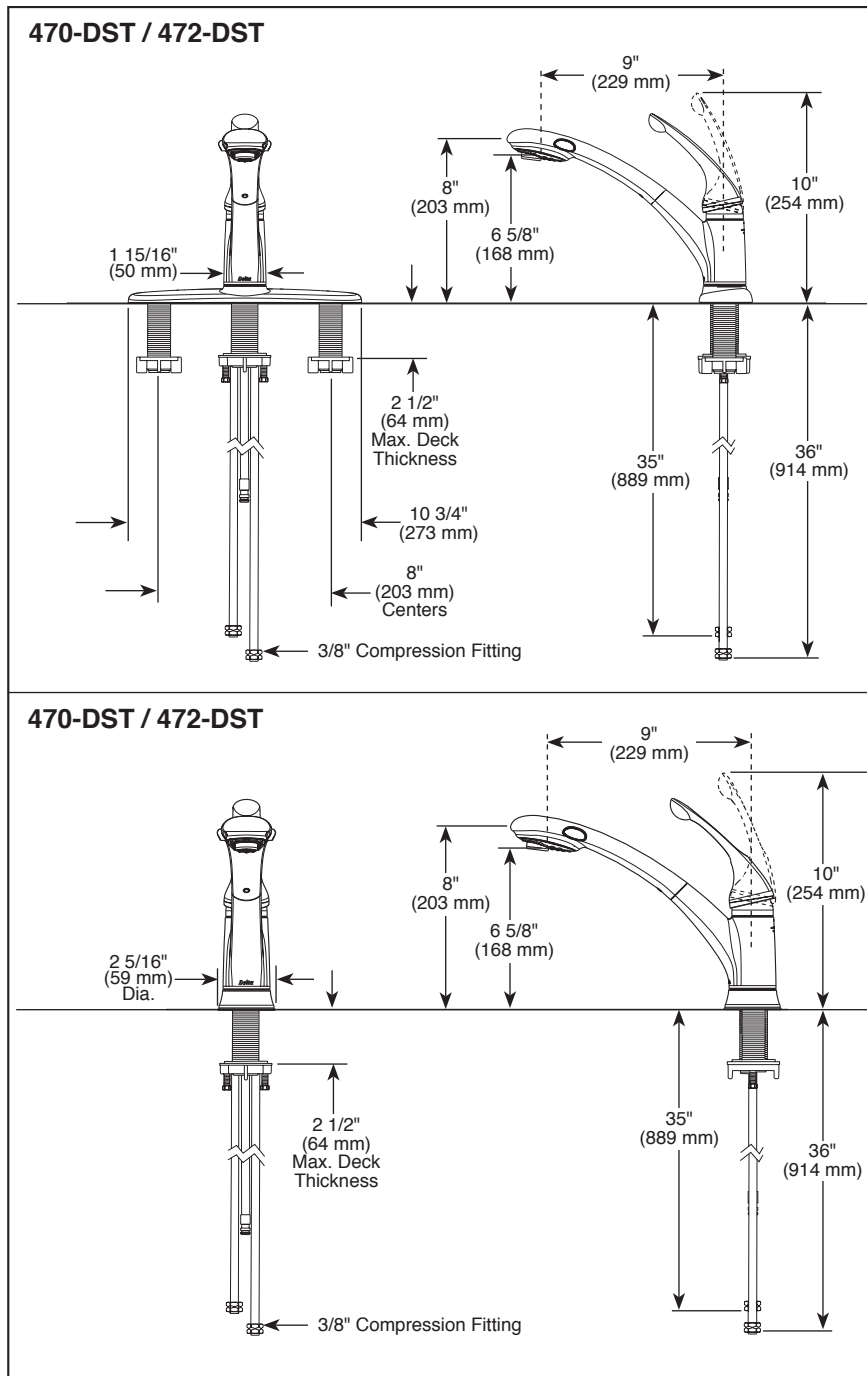
- Lifetime limited warranty on parts (other than electronic parts and batteries) and finishes: or, for commercial users, for 5 years from date of purchase.
- 5 year limited warranty on electronic parts (other than batteries); or, for commercial users, for 1 year from the date of purchase. No warranty is provided on batteries.

COMPLIES WITH:

- ASME A112.18.1 / CSA B125.1
- ASME A112.18.6
-  Indicates compliance to ICC/ANSI A117.1
- Verified compliant with .25% weighted average Pb content regulations.

Submitted Model No.: _____

Specific Features: _____



Delta reserves the right (1) to make changes in specifications and materials, and (2) to change or discontinue models, both without notice or obligation. Dimensions are for reference only. See current full-line price book or www.deltafaucet.com for finish options and product availability.
DSP-K-470-DST Rev. G

Delta Faucet Company

55 E. 111th Street, Indianapolis, IN 46280
350 South Edgeware Road, St. Thomas, ON N5P 4L1
© 2017 Delta Faucet Company