

19936Z-SD-DST▲



see what Delta can doSM

KITCHEN FAUCETS

■ Single Handle Pull-Down Deck Mount

FEATURES:

- MagnaTite[®] Magnetic Docking
- Touch₂0[®] Technology
- DIAMOND Seal[®] Technology
- Touch-Clean[®] Sprayhead
- Quick-Snap[®] Connect Hoses
- Integrated Innoflex[®] PEX Supply Lines
- ShieldSpray[™] Technology


STANDARD SPECIFICATIONS:

- Maximum 1.8 gpm @ 60 psi, 6.8 L/min @ 414 kPa
- One, two, three or four hole mount (escutcheon optional, included)
- Spout rotates 360°.
- Control mechanism shall be full-motion valve cartridge.
- Three-function wand; Aerated stream, spray or ShieldSpray[™]
- Dual integral check valves in sprayer.
- Hose travels inside mounting shank so it will not interfere with deck edges.
- Keyed 10 3/4" (273 mm) escutcheon to help alignment and aid installation.
- 3/8" O.D. straight, staggered PEX supply lines.
- Includes Soap Dispenser.

WARRANTY

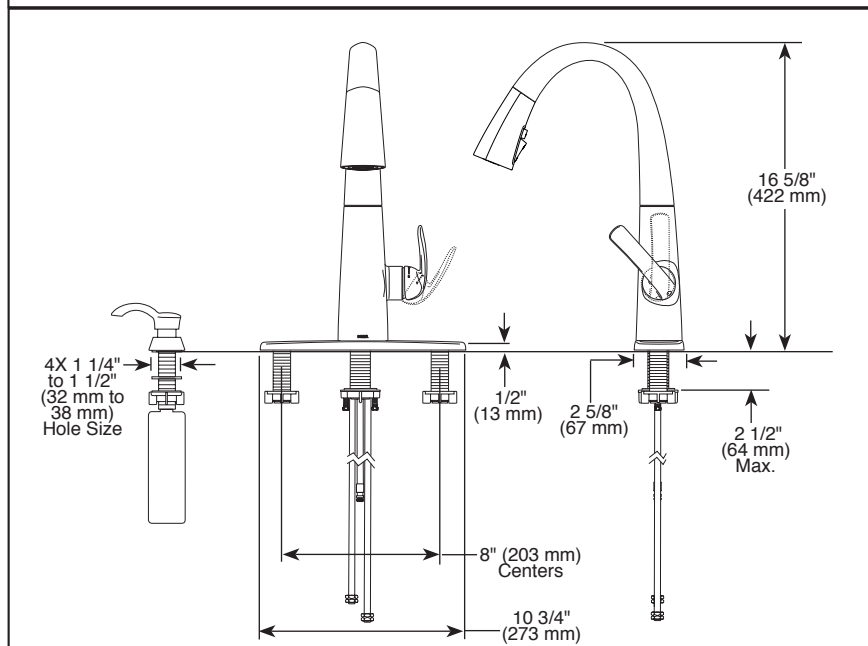
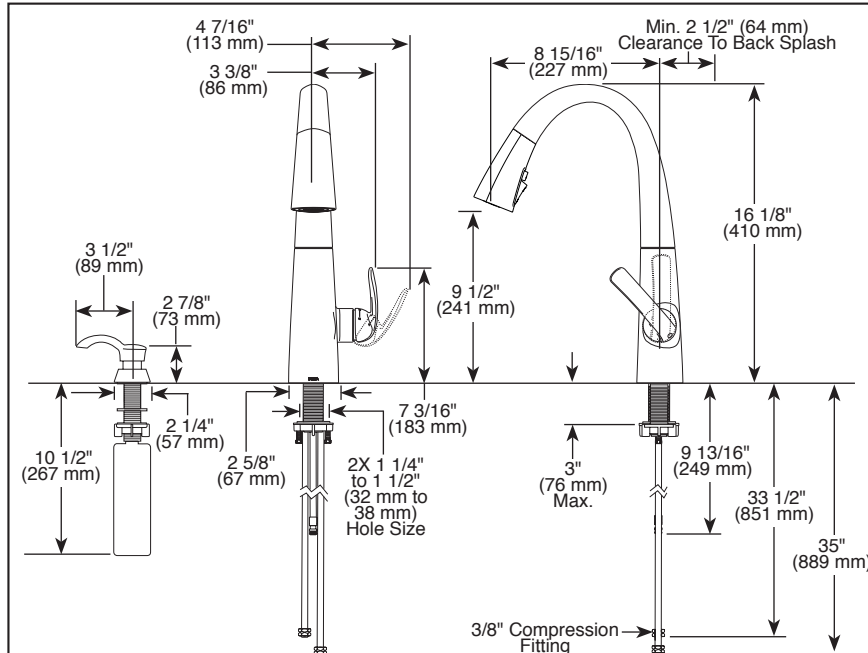
- Lifetime limited warranty on parts (other than electronic parts and batteries) and finishes: or, for commercial users, for 5 years from date of purchase.
- 5 year limited warranty on electronic parts (other than batteries); or, for commercial users, for 1 year from the date of purchase. No warranty is provided on batteries.

COMPLIES WITH:

- ASME A112.18.1 / CSA B125.1
- ASME A112.18.6
-  Indicates compliance to ICC/ANSI A117.1
- Verified compliant with .25% weighted average Pb content regulations.

Submitted Model No.: _____

Specific Features: _____



▲ Designate proper finish suffix

Delta reserves the right (1) to make changes in specifications and materials, and (2) to change or discontinue models, both without notice or obligation. Dimensions are for reference only. See current full-line price book or www.deltafaucet.com for finish options and product availability.

DSP-K-19936Z-SD-DST Rev. A

Delta Faucet Company

55 E 111th Street, Indianapolis, Indiana 46280
350 South Edgeware Road, St. Thomas, ON N5P 4L1
© 2017 Delta Faucet Company