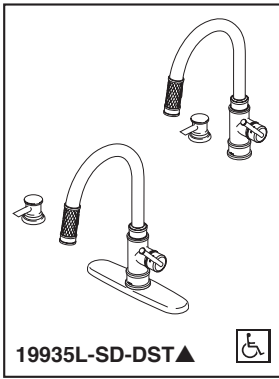




see what Delta can do<sup>SM</sup>

## KITCHEN FAUCETS

- Allentown™ Collection
- Single Handle Pull-Down

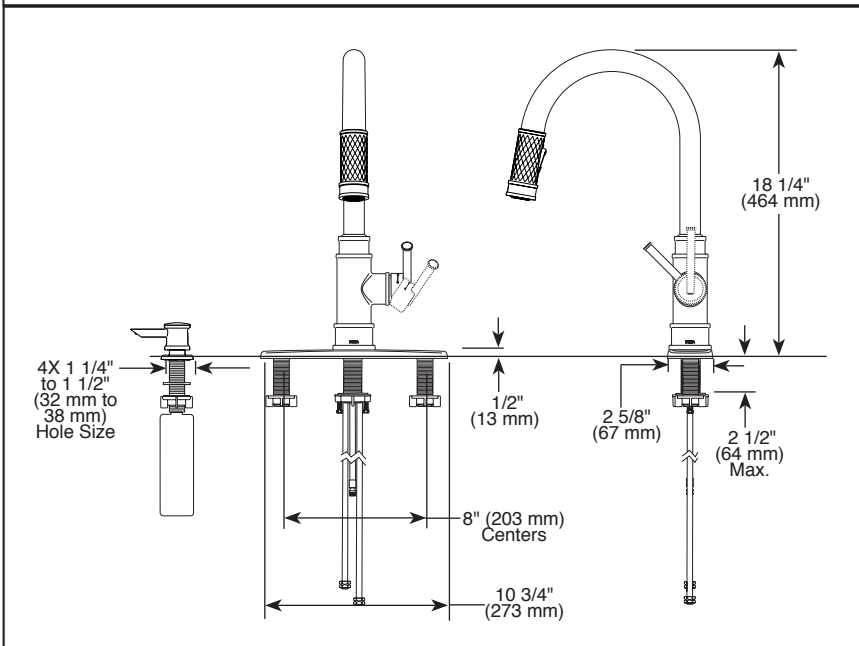
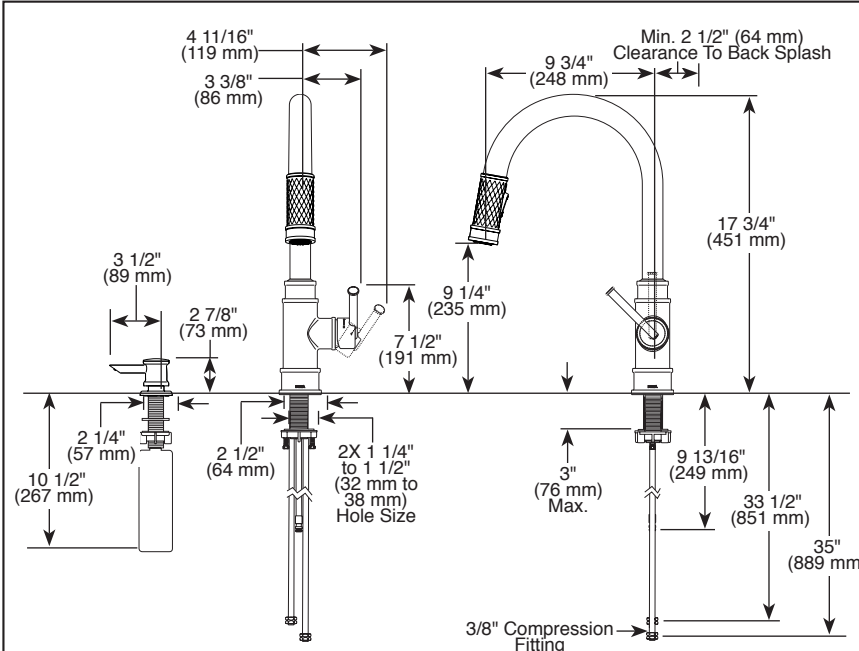


19935L-SD-DST▲



Submitted Model No.: \_\_\_\_\_

Specific Features: \_\_\_\_\_



### FEATURES:

- DIAMOND Seal® Technology
- Touch-Clean® Sprayhead
- MagnaTite® Magnetic Docking
- Quick Snap® connect hose
- TempSense® Indicator

### STANDARD SPECIFICATIONS:

- Maximum 1.8 gpm @ 60 PSI, 6.8 L/Min @ 414 kPa
- Two or four hole mount (escutcheon included)
- Control mechanism shall be full-motion valve cartridge.
- 3/8" O.D. straight, staggered PEX supply lines
- Spout rotates 360°
- Two-function wand; Aerated stream or spray
- Dual integral check valves in sprayer
- Includes soap dispenser

### WARRANTY

- Lifetime limited warranty on parts (other than electronic parts and batteries) and finishes: or, for commercial users, for 5 years from date of purchase.
- 5 year limited warranty on electronic parts (other than batteries); or, for commercial users, for 1 year from the date of purchase. No warranty is provided on batteries.

### COMPLIES WITH:

- ASME A112.18.1 / CSA B125.1
- ASME A112.18.6
- Indicates compliance to ICC/ANSI A117.1
- Verified compliant with .25% weighted average Pb content regulations.

### ▲ Designate proper finish suffix

Delta reserves the right (1) to make changes in specifications and materials, and (2) to change or discontinue models, both without notice or obligation. Dimensions are for reference only. See current full-line price book or [www.deltafaucet.com](http://www.deltafaucet.com) for finish options and product availability.

DSP-K-19935L-SD-DST Rev. A

### Delta Faucet Company

55 E 111th Street, Indianapolis, Indiana 46280  
350 South Edgware Road, St. Thomas, ON N5P 4L1  
© 2017 Delta Faucet Company