



see what Delta can doSM

TUB AND SHOWER FAUCET TRIM

- Trillian™ Bath Collection
- Valve Only (T17T043)
- Shower Only (T17T243)
- Tub/Shower (T17T443)

FEATURES:

- TempAssure® 17T Series thermostatic valve cartridge
- Three-setting H₂Okinetic® Technology shower head
- Lumicoat™ Finish (-PR models only)
- Lumicoat™ Finishes easily wipe clean without cleaners and chemicals on the products most commonly touched areas

STANDARD SPECIFICATIONS:

- Thermostatic wax element maintains the outlet temperature to ± 3.6 °F
- For use with MultiChoice® Universal rough valve body (R10000 Series)
- Shower head max flow rate 1.75 gpm @ 80 psi, 6.6 L/min @ 550 kPa
- Tub port maximum flow rate 8.6 gpm @ 60 psi with R10000-UNBX
- Back-to-back installation capability
- Lever volume control handle; temperature adjustment dial
- Field adjustable to limit handle rotation into hot water zone
- All parts replaceable from the front of the valve
- Red/blue pad print temperature indicators on temperature adjustment dial
- Adjusts for up to 1" wall thickness
- Stem extension kit RP101140 can be ordered to allow for an additional 1 3/4" wall thickness.
- Shower arm overall horizontal length = 5 1/2" (138 mm), including threaded ends
- Universal adapter included allows for thread, sweat or slip-on installation of RP93248 and RP93249

WARRANTY

- Parts and Finish - Lifetime limited warranty; or for commercial purchasers, 10 years for multi-family residential (apartments and condominiums) and 5 years for all other commercial uses, in each case from the date of purchase.
- Electronic Parts and Batteries (if applicable) - 5 years from the date of purchase; or for commercial purchasers, 1 year from the date of purchase. No warranty is provided on batteries.

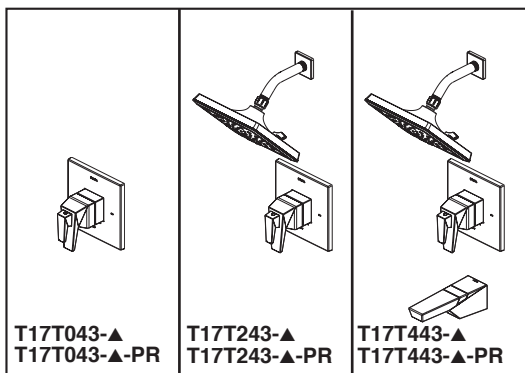


COMPLIES WITH:

- ASME A112.18.1 / CSA B125.1
- Indicates compliance to ICC/ANSI A117.1 - Valve control only
- EPA WaterSense® - Applies to T17T243, T17T243-PR, T17T443, T17T443-PR and 52684 only

Delta Faucet Company

55 E. 111th Street, Indianapolis, Indiana 46280
 350 South Edgeware Road, St. Thomas, ON N5P 4L1
 © 2021 Delta Faucet Company



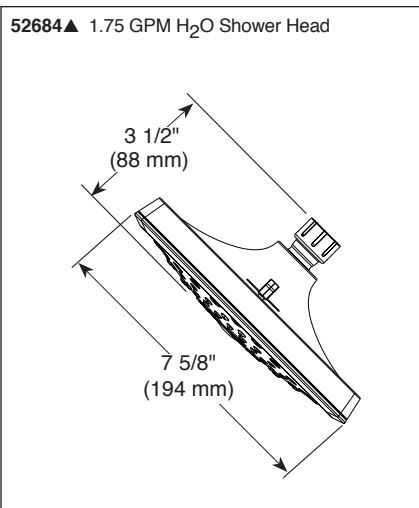
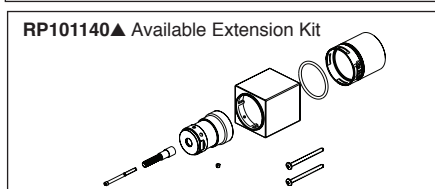
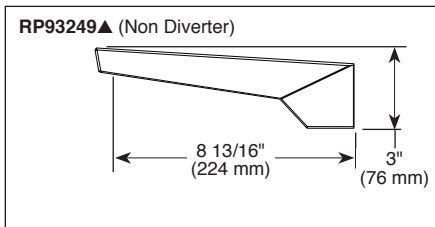
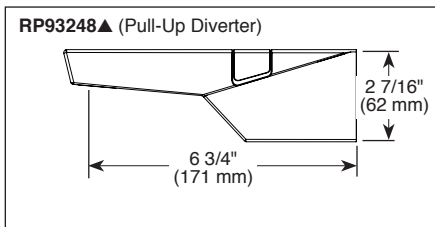
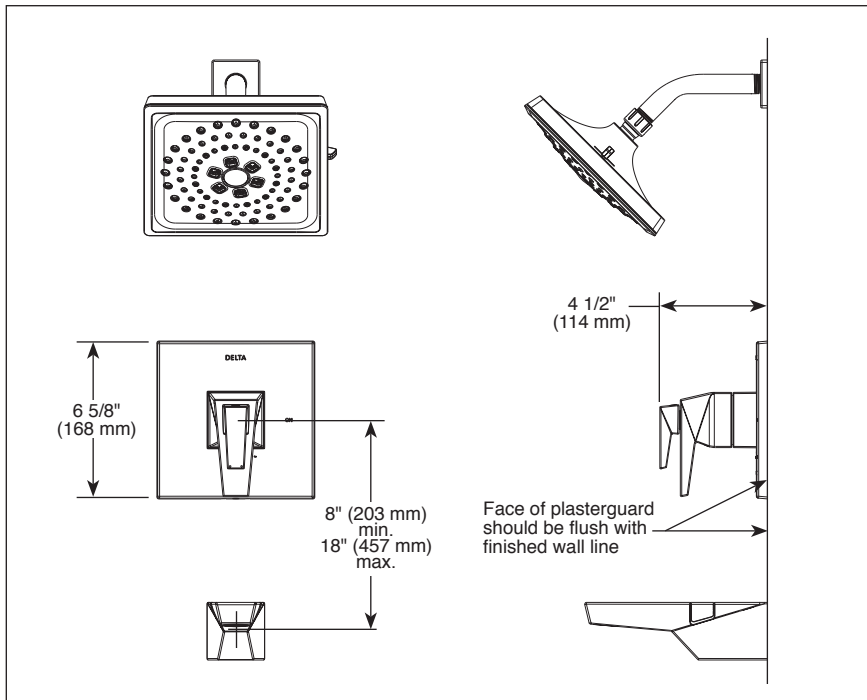
T17T043-▲
T17T043-▲-PR

T17T243-▲
T17T243-▲-PR

T17T443-▲
T17T443-▲-PR

Submitted Model No.: _____

Specific Features: _____



▲ Designate Proper Finish Suffix

Delta reserves the right (1) to make changes in specifications and materials, and (2) to change or discontinue models, both without notice or obligation. Dimensions are for reference only. See current full-line price book or www.deltafaucet.com for finish options and product availability.

DSP-B-T17T043 Rev. D