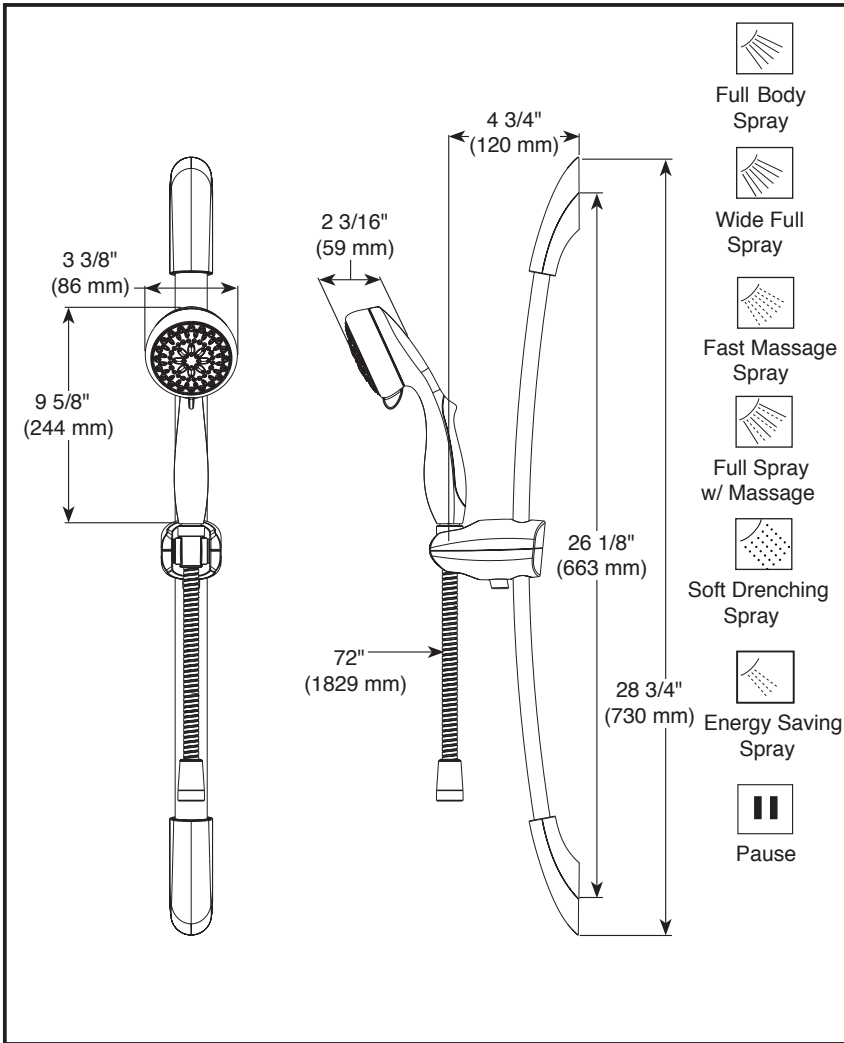


75805C ▲

Submitted Model No.: _____

Specific Features: _____



▲ Designate proper finish suffix



see what Delta can do™

WALL BAR HAND HELD SHOWER

■ 7-Spray Setting Wall Bar Hand Shower

FEATURES:

- Touch-Clean® Nozzles

STANDARD SPECIFICATIONS

- Max flow rate 1.75 gpm @ 80 psi, 6.6 L/min @ 550 kPa
- 72" (1829 mm) stainless steel hose
- Wall bar with adjustable height hand shower mount
- Easy-turn spray dial
- Hand held shower with 7 spray settings - pause is a non-positive shut off

WARRANTY

- Parts and Finish - Lifetime limited warranty; or for commercial purchasers, 10 years for multi-family residential (apartments and condominiums) and 5 years for all other commercial uses, in each case from the date of purchase.
- Electronic Parts and Batteries (if applicable) - 5 years from the date of purchase; or for commercial purchasers, 1 year from the date of purchase. No warranty is provided on batteries.



COMPLIES WITH:

- ASME A112.18.1 / CSA B125.1
- EPA WaterSense®

Delta reserves the right (1) to make changes in specifications and materials, and (2) to change or discontinue models, both without notice or obligation. Dimensions are for reference only. See current full-line price book or www.deltafaucet.com for finish options and product availability.