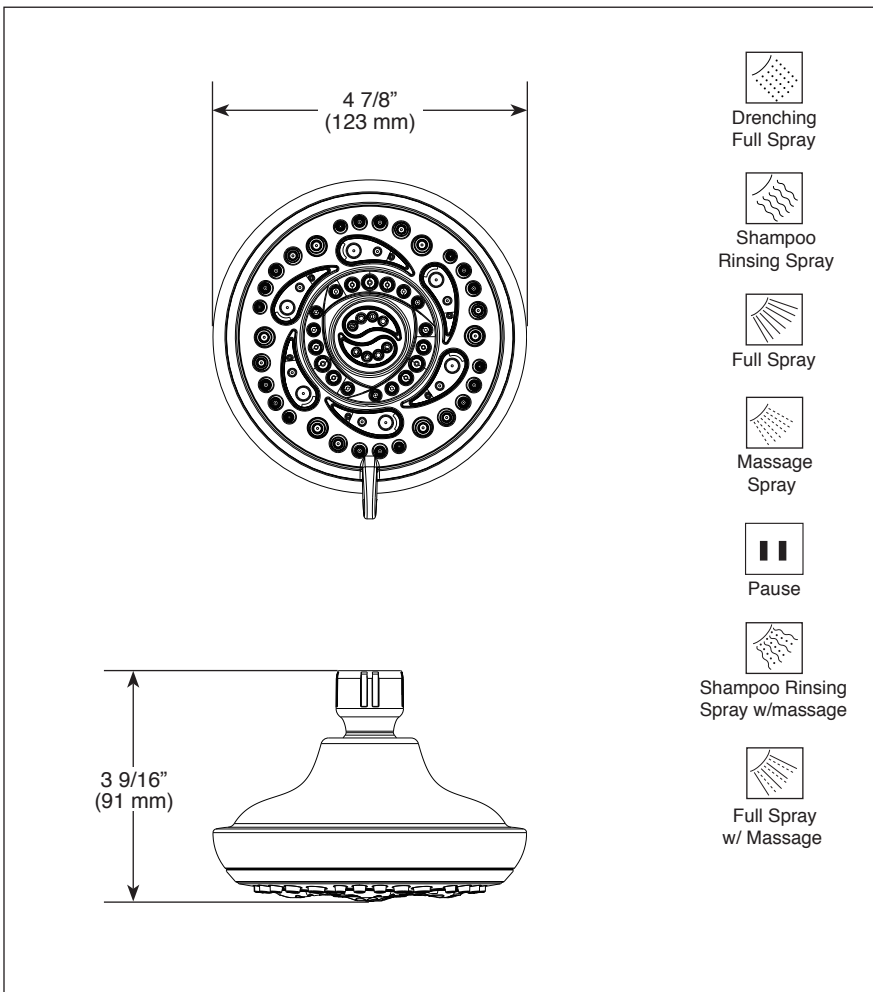




75784▲

**Specific Features:**



▲ Designate proper finish suffix



see what Delta can do™

**SHOWER HEAD**

■ 7-Spray Setting Shower Head

**FEATURES:**

- Touch-Clean® Nozzles

**STANDARD SPECIFICATIONS**

- Maximum 1.75 gpm @ 80 psi, 6.6 L/min @ 550 kPa
- Shower head with seven spray settings - pause is a non-positive shut-off
- Change spray modes with easy turn dial
- Ball joint swivel angle is 32° (16° per side)

**WARRANTY**

- Parts and Finish - Lifetime limited warranty; or for commercial purchasers, 10 years for multi-family residential (apartments and condominiums) and 5 years for all other commercial uses, in each case from the date of purchase.
- Electronic Parts and Batteries (if applicable) - 5 years from the date of purchase; or for commercial purchasers, 1 year from the date of purchase. No warranty is provided on batteries.



**COMPLIES WITH:**

- ASME A112.18.1 / CSA B125.1
- EPA WaterSense®

Delta reserves the right (1) to make changes in specifications and materials, and (2) to change or discontinue models, both without notice or obligation. Dimensions are for reference only. See current full-line price book or [www.deltafaucet.com](http://www.deltafaucet.com) for finish options and product availability.

**Delta Faucet Company**

55 E. 111th Street, Indianapolis, IN 46280  
 350 South Edgeware Road, St. Thomas, ON N5P 4L1  
 © 2019 Delta Faucet Company