



see what Delta can do™

## KITCHEN SINKS

- Lorelai® Collection
- Undermount Workstation

### FEATURES:

- Undermount Single Bowl Sink
- Rear Offset Drain
- NoiseDefend Undercoating and Sound Dampening Pads

### STANDARD SPECIFICATIONS:

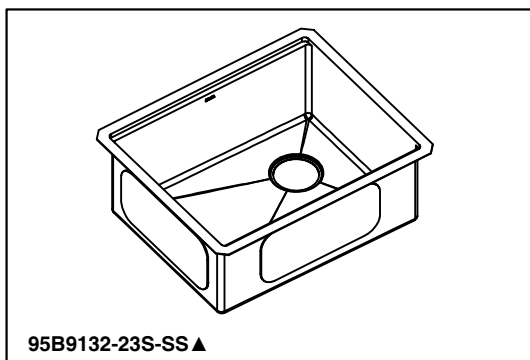
- 16 Gauge Stainless Steel Construction
- Required Minimum Cabinet Size: 27" Left to Right, 24" Front to Back
- 3 7/8" Drain Opening
- Strainer ADU25-SS (included)
- Strainer Cap AEU25-SS (included)
- Bottom Grid AFU32-UM23-SS (included)
- Cutting Board ABU24-WCB-AC (included)
- Drying Mat ACU25-SDDM-DG (included)
- Cut-Out Template (included)
- Undermount Hardware (included)

### WARRANTY:

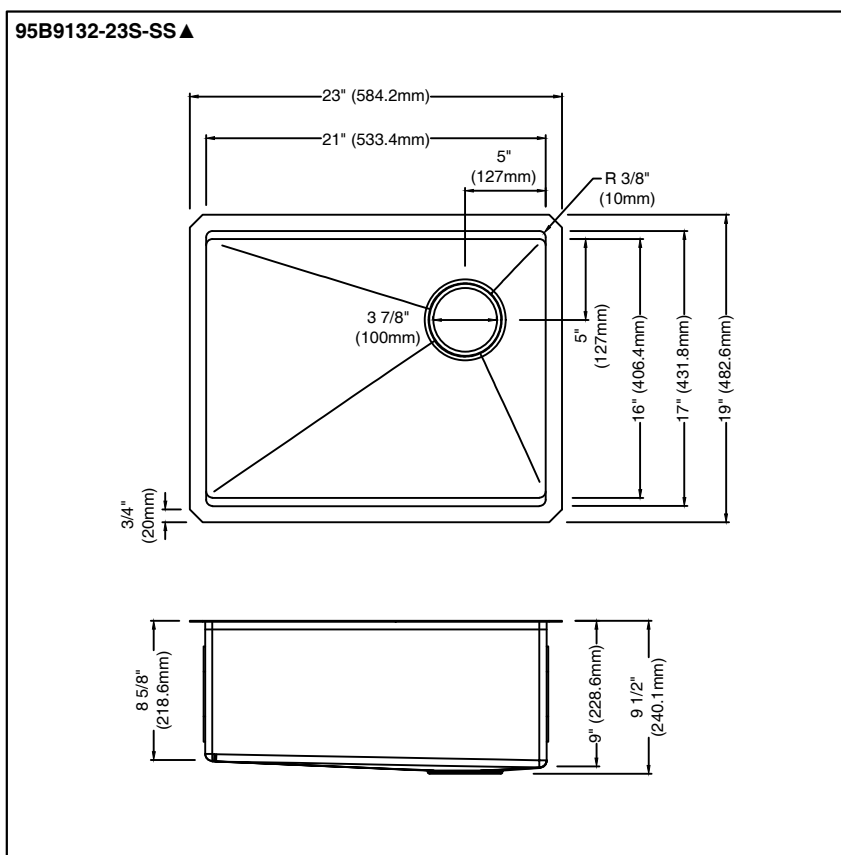
- Lifetime Limited Warranty

### COMPLIES WITH:

- cUPC (ASME A112.19.3/CSA B45.4)



95B9132-23S-SS ▲



### ▲ Designate proper finish suffix

Delta reserves the right (1) to make changes in specifications and materials, and (2) to change or discontinue models, both without notice or obligation. Dimensions are for reference only. See current full-line price book or [www.deltafaucet.com](http://www.deltafaucet.com) for finish options and product availability.

### Delta Faucet Company

55 E. 111th Street, Indianapolis, IN 46280  
350 South Edgeware Road, St. Thomas, ON N5P 4L1  
Sinksupport@deltafaucet.com  
© 2021 Delta Faucet Company



see what Delta can do™

## KITCHEN ACCESSORY

- Kitchen Cutting Board

### FEATURES:

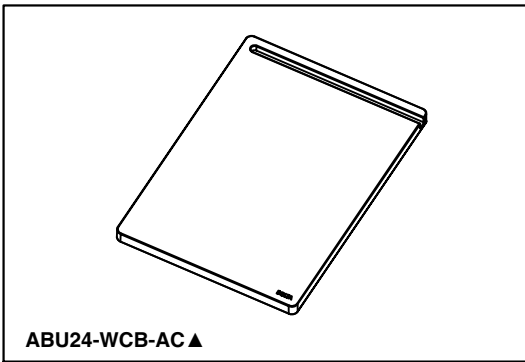
- Made of Strong and Durable Wood Materials that will not splinter or warp in water
- Built in drain edge to aid in drainage.
- Easy to clean and maintain. Hand-wash in warm water with a gentle soap and allow to air-dry or use a cloth. To extend its beauty, apply mineral oil to board before first use and monthly.
- Thick and durable for all of your chopping and dicing tasks.
- Surface is stain resistant and non-porous preventing bacteria from growing on it
- Tablet Slot

### STANDARD SPECIFICATIONS:

- Acacia Wood Construction
- Product Height: 3/4"
- Product Length: 12"
- Product Width: 16 3/4"

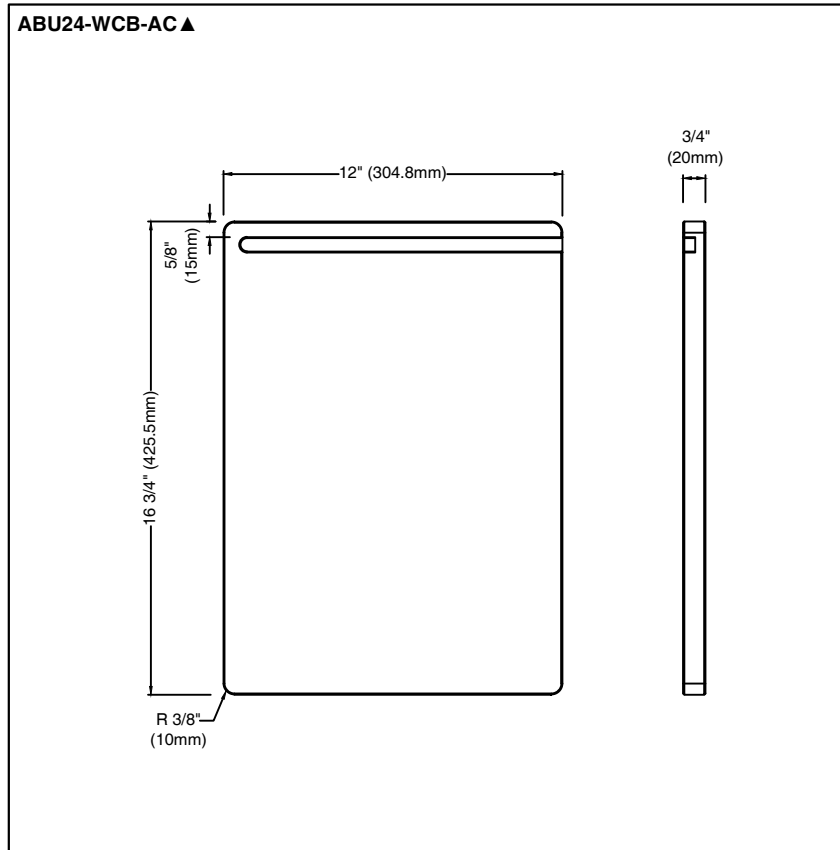
### WARRANTY:

- 1 Year Limited Warranty



Submitted Model No.: \_\_\_\_\_

Specific Features: \_\_\_\_\_



#### ▲ Designate proper finish suffix

Delta reserves the right (1) to make changes in specifications and materials, and (2) to change or discontinue models, both without notice or obligation. Dimensions are for reference only. See current full-line price book or [www.deltafaucet.com](http://www.deltafaucet.com) for finish options and product availability.

#### Delta Faucet Company

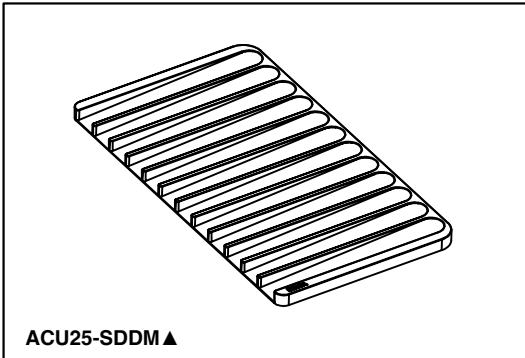
55 E. 111th Street, Indianapolis, IN 46280  
350 South Edgeware Road, St. Thomas, ON N5P 4L1  
[Sinksupport@deltafaucet.com](mailto:Sinksupport@deltafaucet.com)  
© 2021 Delta Faucet Company



see what Delta can do™

## KITCHEN ACCESSORY

- Multipurpose Drying Mat

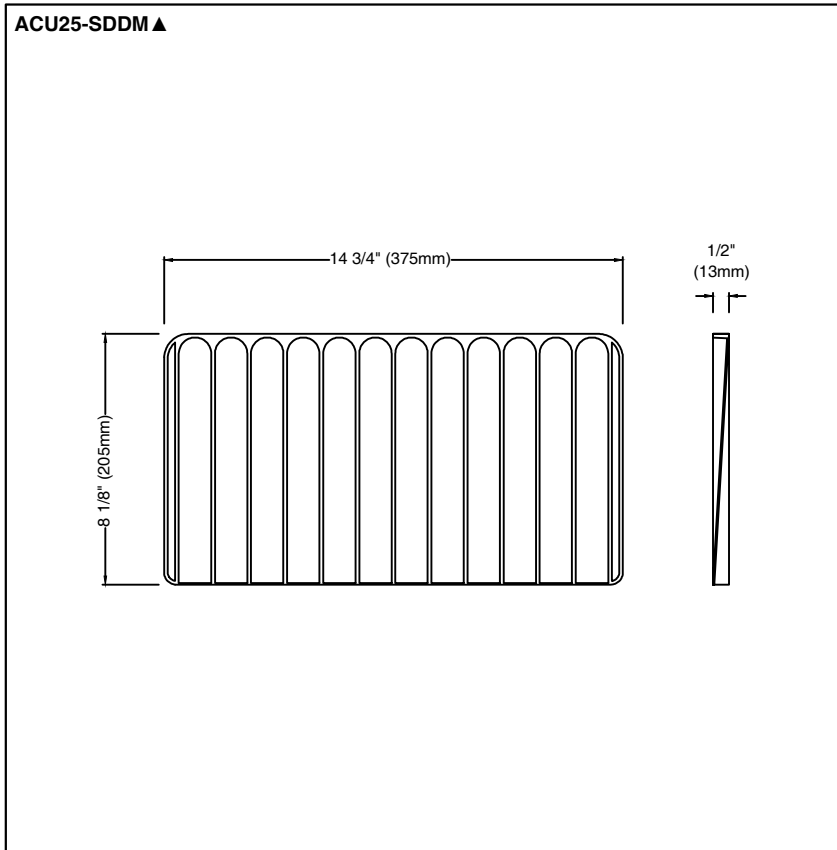


ACU25-SDDM ▲

Submitted Model No.: \_\_\_\_\_

Specific Features: \_\_\_\_\_

ACU25-SDDM ▲



### FEATURES:

- Multi-Purpose dish drying rack
- Can be placed on your counter or within your sink to dry off your dishes
- Raised, angled and silicone ribs draw water into your sink and away from your dishes
- Unique Design holds dishes flat regardless of where they are placed on the mat
- 100% Food-Safe Silicone Coating: BPA-free and FDA approved
- Heat-Resistant up to 400°F
- Rolls up into a compact cylinder
- Easy to Clean: Simply rinse it off right in the sink
- Available in Black or Dark Grey
- Only compatible with Undermount sinks

### STANDARD SPECIFICATIONS:

- Silicone Construction
- Product Height: 1/2"
- Product Length: 14 3/4"
- Product Width: 8 1/8"

### WARRANTY:

- 1 Year Limited Warranty

#### ▲ Designate proper finish suffix

Delta reserves the right (1) to make changes in specifications and materials, and (2) to change or discontinue models, both without notice or obligation. Dimensions are for reference only. See current full-line price book or [www.deltafaucet.com](http://www.deltafaucet.com) for finish options and product availability.

#### Delta Faucet Company

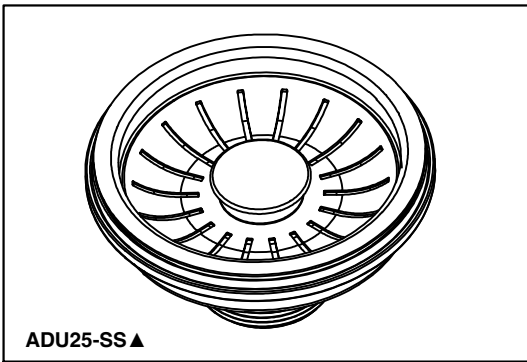
55 E. 111th Street, Indianapolis, IN 46280  
350 South Edgeware Road, St. Thomas, ON N5P 4L1  
[Sinksupport@deltafaucet.com](mailto:Sinksupport@deltafaucet.com)  
© 2021 Delta Faucet Company



see what Delta can do™

## KITCHEN ACCESSORY

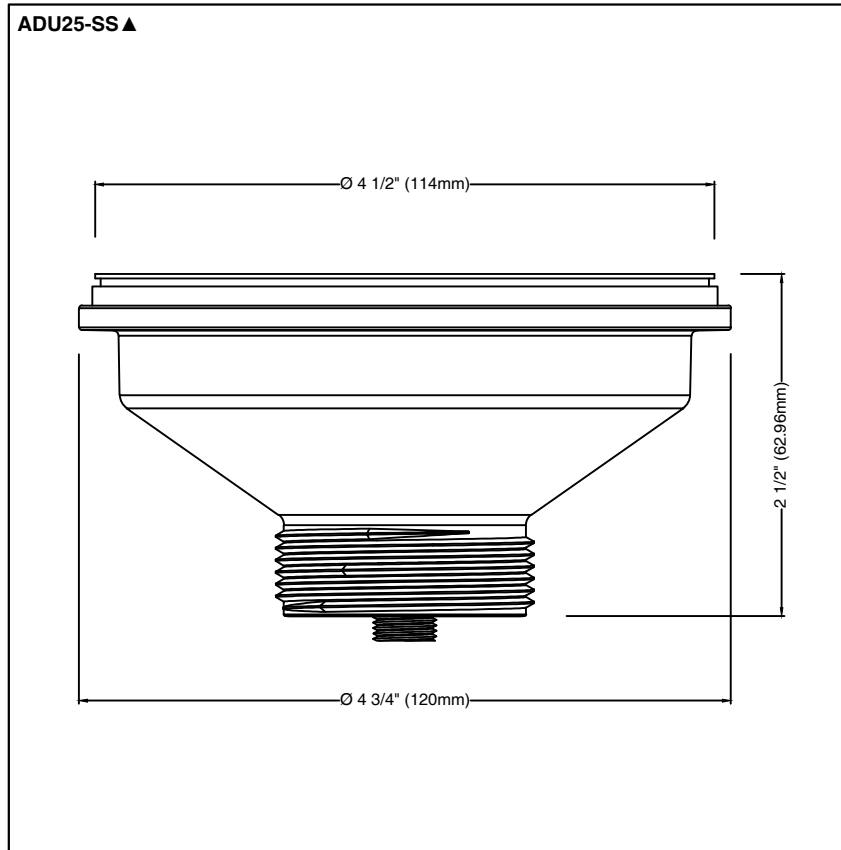
### ■ Kitchen Strainer



ADU25-SS ▲

Submitted Model No.: \_\_\_\_\_

Specific Features: \_\_\_\_\_



### FEATURES:

- Strainer traps food particles and debris to keep drain clear
- Maximizes your sinks functionality and complements the look of your kitchen
- The open/close stopper creates a tight seal that prevents food and debris from clogging the drainpipe
- Durable Stainless Steel Construction
- Compatible with 95A931-25S-SS, 95A931-30S-SS, 95A931-33D-SS, 95A931-33S-SS, 95A932-25S-SS, 95A932-30S-SS, 95A932-33S-SS, 95B931-27S-SS, 95B931-30S-SS, 95B931-32S-SS, 95B931-33D-SS, 95B932-27S-SS, 95B932-30S-SS and 95B932-32S-SS kitchen sinks

### STANDARD SPECIFICATIONS:

- Stainless Steel Construction
- Product Height: 2 1/2"
- Product Length: 4 1/2"
- Product Width: 4 1/2"

### WARRANTY:

- 1 Year Limited Warranty

#### ▲ Designate proper finish suffix

Delta reserves the right (1) to make changes in specifications and materials, and (2) to change or discontinue models, both without notice or obligation. Dimensions are for reference only. See current full-line price book or [www.deltafaucet.com](http://www.deltafaucet.com) for finish options and product availability.

#### Delta Faucet Company

55 E. 111th Street, Indianapolis, IN 46280  
350 South Edgeware Road, St. Thomas, ON N5P 4L1  
[Sinksupport@deltafaucet.com](mailto:Sinksupport@deltafaucet.com)  
© 2021 Delta Faucet Company



see what Delta can do™

# KITCHEN ACCESSORY

## ■ Decorative Drain Cover

### FEATURES:

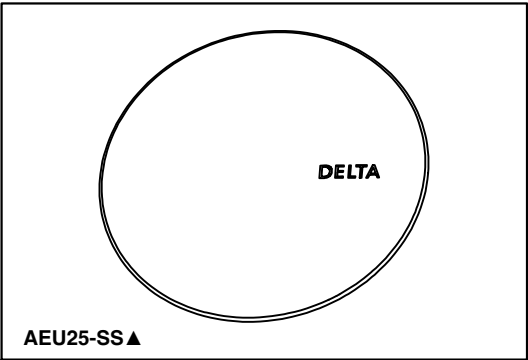
- Large removable decorative drain cover for kitchen sink
- Conceals garbage disposal and waste fittings
- Open sides ensure optimal drainage and allows water to drain easily even when sink is full
- Durable Stainless Steel Construction
- Fits over most garbage disposals and all standard strainers with a drain opening of 3.5" - 4"

### STANDARD SPECIFICATIONS:

- Stainless Steel Construction
- Product Height: 3/4"
- Product Length: 4 1/8"
- Product Width: 4 1/8"

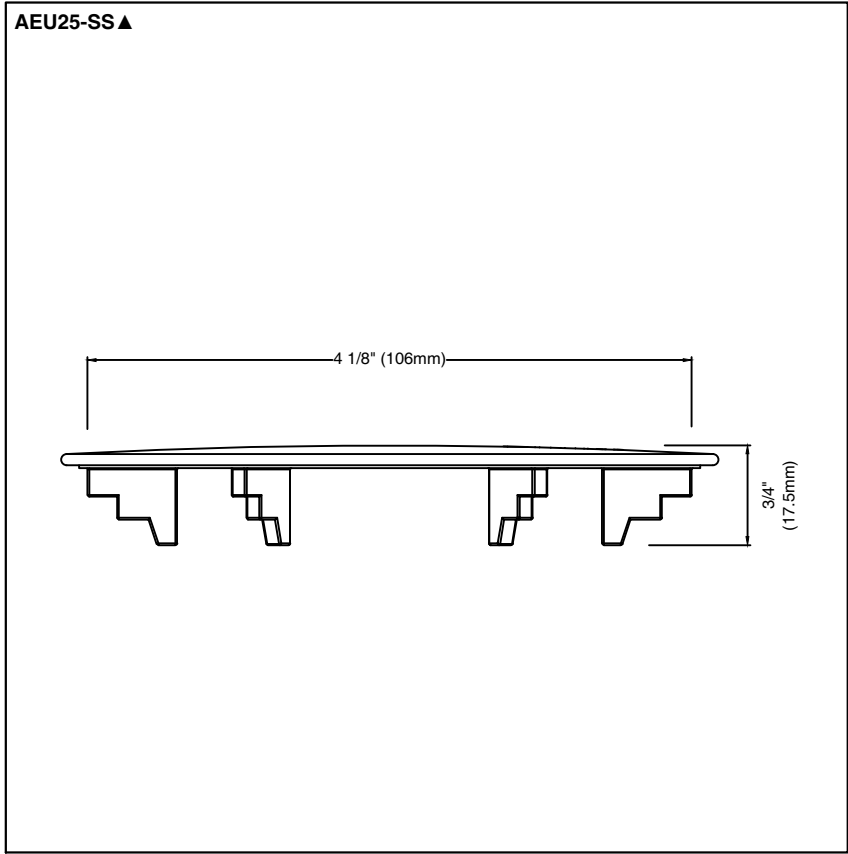
### WARRANTY:

- 1 Year Limited Warranty



Submitted Model No.: \_\_\_\_\_

Specific Features: \_\_\_\_\_



### ▲ Designate proper finish suffix

Delta reserves the right (1) to make changes in specifications and materials, and (2) to change or discontinue models, both without notice or obligation. Dimensions are for reference only. See current full-line price book or [www.deltafaucet.com](http://www.deltafaucet.com) for finish options and product availability.



see what Delta can do™

## KITCHEN ACCESSORY

- Kitchen Sink Grid

### FEATURES:

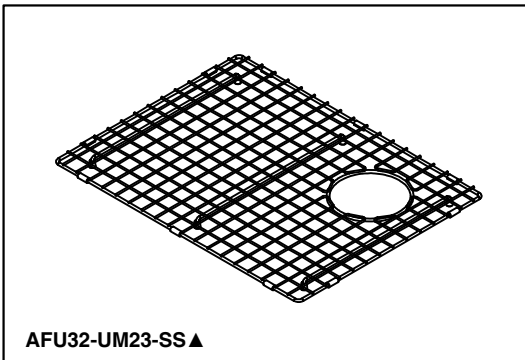
- Included with the 95B9132-23S-SS kitchen sink
- Protects bottom of the sink from daily wear and tear
- Rubber feet provide additional protection

### STANDARD SPECIFICATIONS:

- Commercial grade Stainless Steel Construction
- Product Height: 7/8"
- Product Length: 20 5/8"
- Product Width: 15 5/8"

### WARRANTY:

- 1 Year Limited Warranty

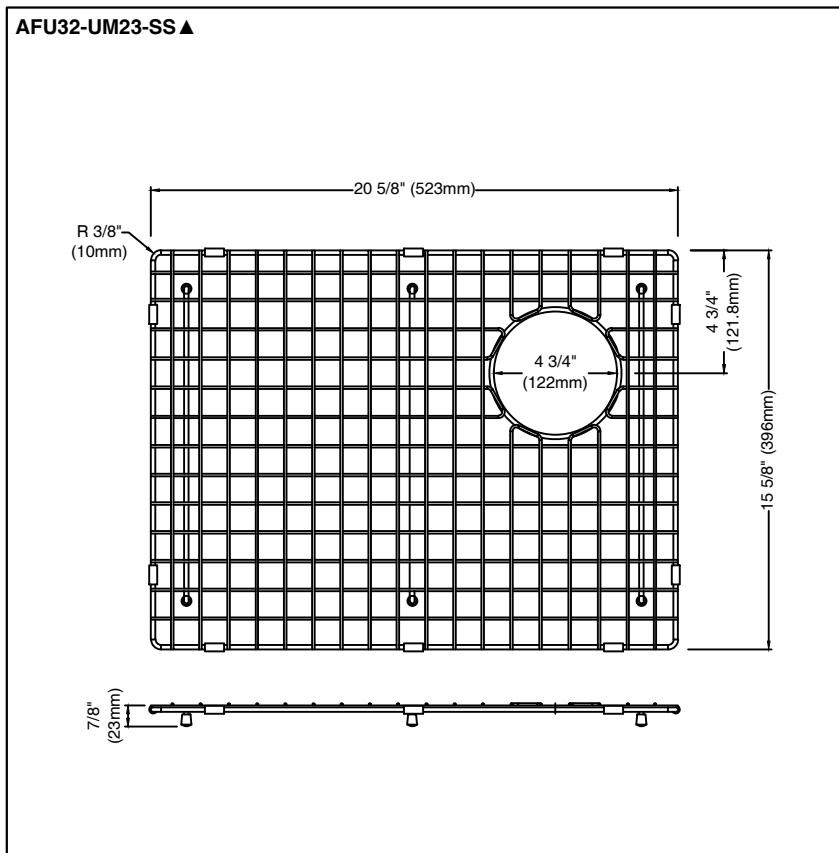


AFU32-UM23-SS ▲

Submitted Model No.: \_\_\_\_\_

Specific Features: \_\_\_\_\_

AFU32-UM23-SS ▲



#### ▲ Designate proper finish suffix

Delta reserves the right (1) to make changes in specifications and materials, and (2) to change or discontinue models, both without notice or obligation. Dimensions are for reference only. See current full-line price book or [www.deltafaucet.com](http://www.deltafaucet.com) for finish options and product availability.

#### Delta Faucet Company

55 E. 111th Street, Indianapolis, IN 46280  
350 South Edgeware Road, St. Thomas, ON N5P 4L1  
[Sinksupport@deltafaucet.com](mailto:Sinksupport@deltafaucet.com)  
© 2021 Delta Faucet Company