



see what Delta can do™

## KITCHEN SINKS

- Rivet® Collection
- Top Mount Workstation

### FEATURES:

- Top Mount Double Bowl Sink
- Rear Center Set Drains
- NoiseDefend Undercoating and Sound Dampening Pads

### STANDARD SPECIFICATIONS:

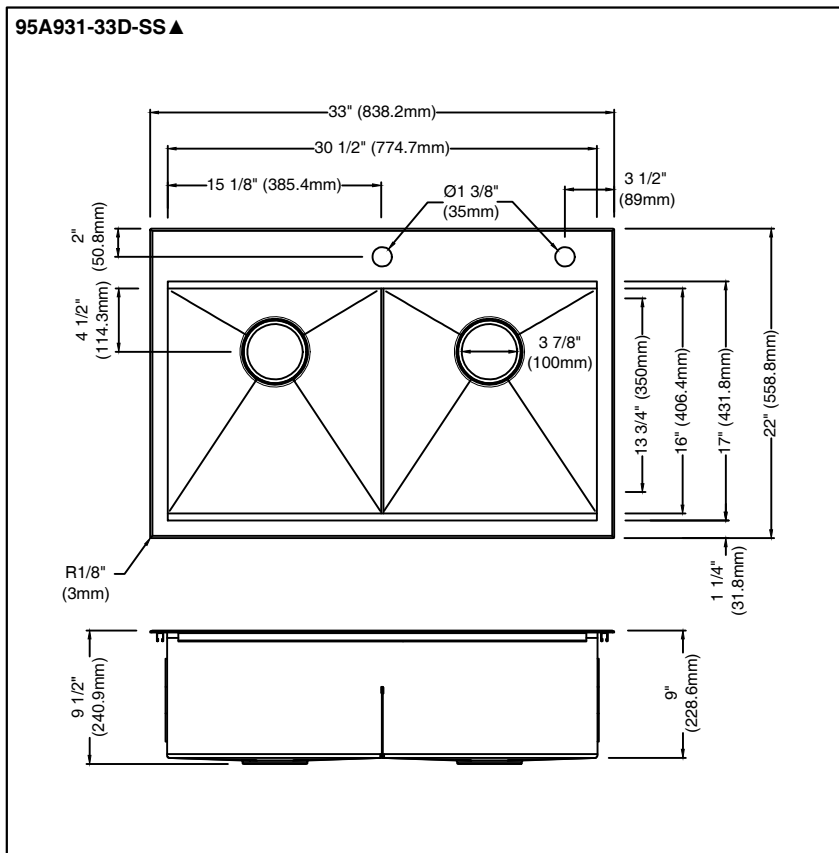
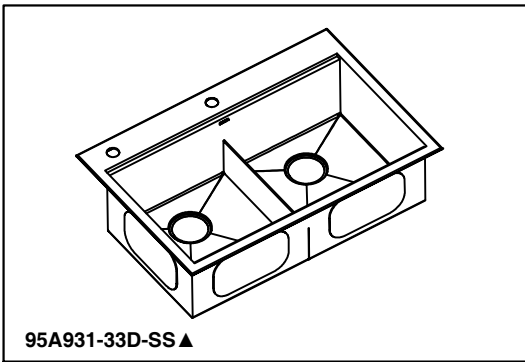
- 16 Gauge Stainless Steel Construction
- Required Minimum Cabinet Size: 36" Left to Right, 24" Front to Back
- 3 7/8" Drain Openings
- Strainer ADU25-SS x2 (included)
- Cover Cap AEU25-SS x2 (included)
- Bottom Grid AFU31-TD33-SS x2 (included)
- Cutting Board ABU24-WFB-BL (included)
- Rolling Mat ACU24-SRMC-BL (included)
- Cut-Out Template (included)
- Top Mount Hardware (included)

### WARRANTY:

- Lifetime Limited Warranty

### COMPLIES WITH:

- cUPC (ASME A112.19.3/CSA B45.4)



### ▲ Designate proper finish suffix

Delta reserves the right (1) to make changes in specifications and materials, and (2) to change or discontinue models, both without notice or obligation. Dimensions are for reference only. See current full-line price book or [www.deltafaucet.com](http://www.deltafaucet.com) for finish options and product availability.

### Delta Faucet Company

55 E. 111th Street, Indianapolis, IN 46280  
 350 South Edgeware Road, St. Thomas, ON N5P 4L1  
 © 2021 Delta Faucet Company



see what Delta can do™

## KITCHEN ACCESSORY

- Kitchen Sink Grid

### FEATURES:

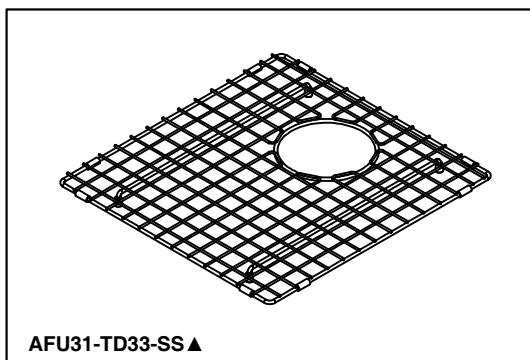
- For use with the 95A931-33D-SS kitchen sink
- Protects bottom of the sink from daily wear and tear
- Rubber feet provide additional protection

### STANDARD SPECIFICATIONS:

- Commercial grade Stainless Steel Construction
- Product Height: 7/8"
- Product Length: 14 3/4"
- Product Width: 15 5/8"

### WARRANTY:

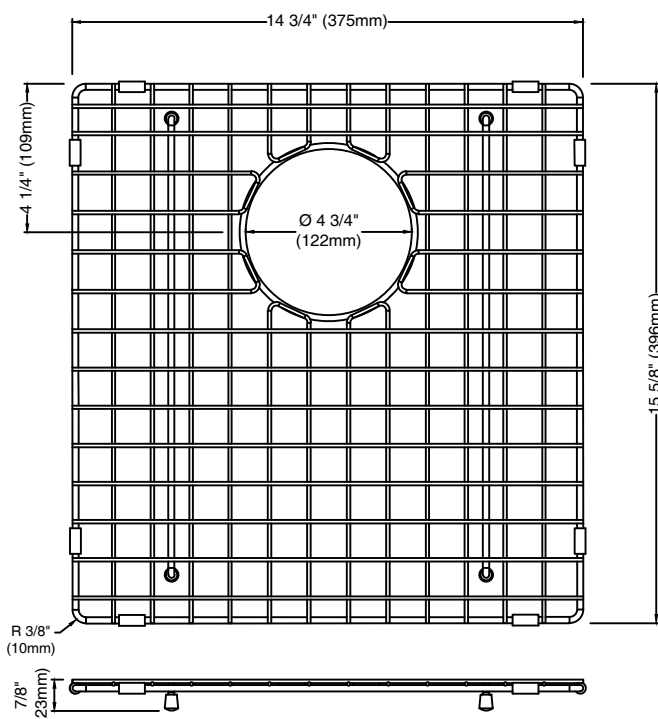
- 1 Year Limited Warranty



Submitted Model No.: \_\_\_\_\_

Specific Features: \_\_\_\_\_

AFU31-TD33-SS ▲



#### ▲ Designate proper finish suffix

Delta reserves the right (1) to make changes in specifications and materials, and (2) to change or discontinue models, both without notice or obligation. Dimensions are for reference only. See current full-line price book or [www.deltafaucet.com](http://www.deltafaucet.com) for finish options and product availability.

#### Delta Faucet Company

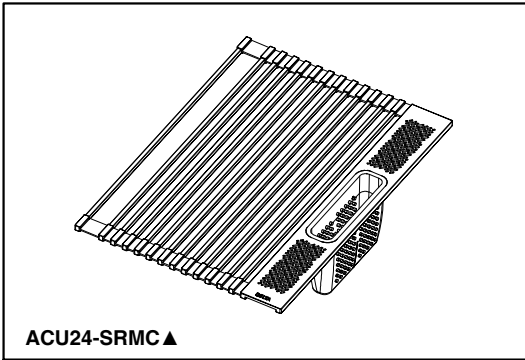
55 E. 111th Street, Indianapolis, IN 46280  
350 South Edgeware Road, St. Thomas, ON N5P 4L1  
Sinksupport@deltafaucet.com  
© 2021 Delta Faucet Company



see what Delta can do™

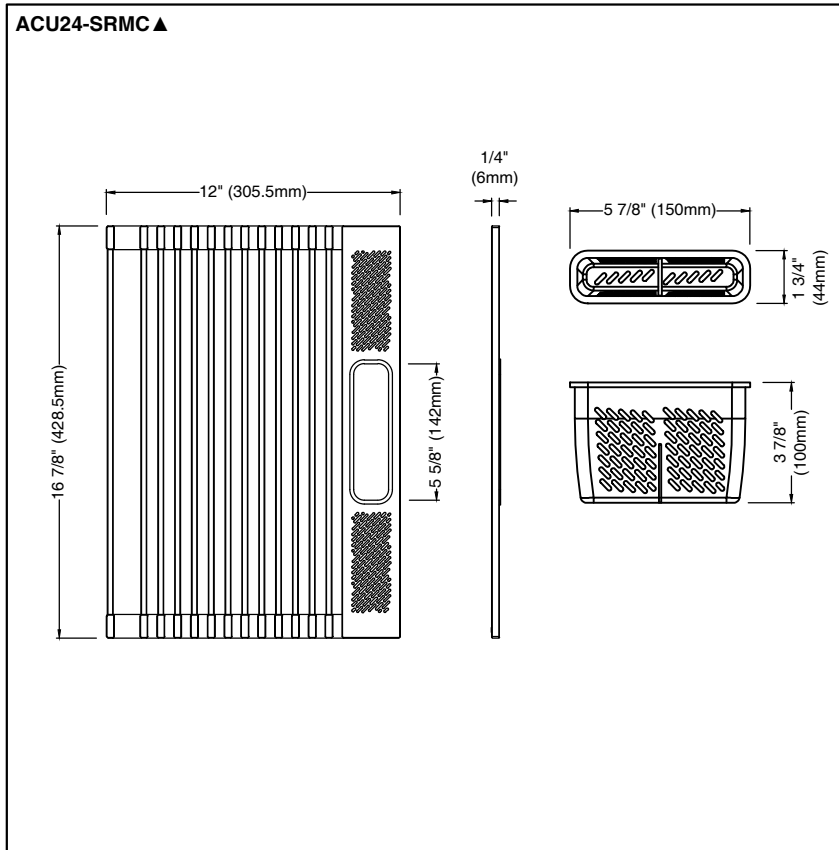
## KITCHEN ACCESSORY

### ■ Kitchen Rolling Mat



Submitted Model No.: \_\_\_\_\_

Specific Features: \_\_\_\_\_



#### ▲ Designate proper finish suffix

Delta reserves the right (1) to make changes in specifications and materials, and (2) to change or discontinue models, both without notice or obligation. Dimensions are for reference only. See current full-line price book or [www.deltafaucet.com](http://www.deltafaucet.com) for finish options and product availability.

ACU24-SRMC

#### FEATURES:

- Multi-Purpose Roll-Up Dish Drying Rack with Caddy saves space and keeps your counters free of clutter
- Fits Over Your Kitchen Sink, creating a multi-functional workspace for drip-drying dishes and washing produce
- Sturdy Over-the-Sink Drying Rack: Made from heavy-duty stainless steel with soft silicone coating, holds heavy items without bending and supports up to 85 lbs.
- Rust-Resistant and Non-Slip: Sturdier and more stable than rolling mats without protective silicone coating
- Heat-Resistant up to 400°F: Perfect for use as a trivet mat to protect your kitchen countertops against damage from hot items like pans or baking sheets straight out of the oven
- Perfect for use as a Cooling Rack for quickly cooling cakes and cookies with increased airflow
- Easy to Store: Rolls up into a compact cylinder for convenient storage in your kitchen cabinet
- Easy to Clean: Simply rinse it off right in the sink
- Available in Black or Dark Grey

#### STANDARD SPECIFICATIONS:

- Silicone Construction
- Product Height: 3 7/8"
- Product Length: 12"
- Product Width: 16 7/8"

#### WARRANTY:

- 1 Year Limited Warranty

#### Delta Faucet Company

55 E. 111th Street, Indianapolis, IN 46280  
350 South Edgeware Road, St. Thomas, ON N5P 4L1  
[Sinksupport@deltafaucet.com](mailto:Sinksupport@deltafaucet.com)  
© 2021 Delta Faucet Company



see what Delta can do™

# KITCHEN ACCESSORY

## Decorative Drain Cover

### FEATURES:

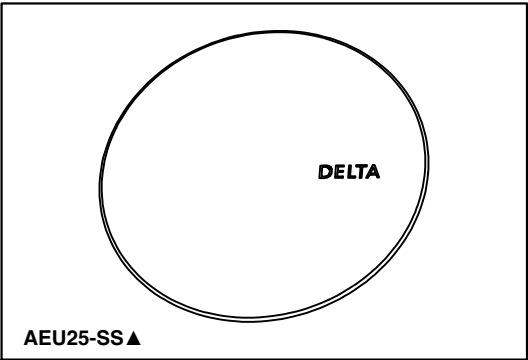
- Large removable decorative drain cover for kitchen sink
- Conceals garbage disposal and waste fittings
- Open sides ensure optimal drainage and allows water to drain easily even when sink is full
- Durable Stainless Steel Construction
- Fits over most garbage disposals and all standard strainers with a drain opening of 3.5" - 4"

### STANDARD SPECIFICATIONS:

- Stainless Steel Construction
- Product Height: 3/4"
- Product Length: 4 1/8"
- Product Width: 4 1/8"

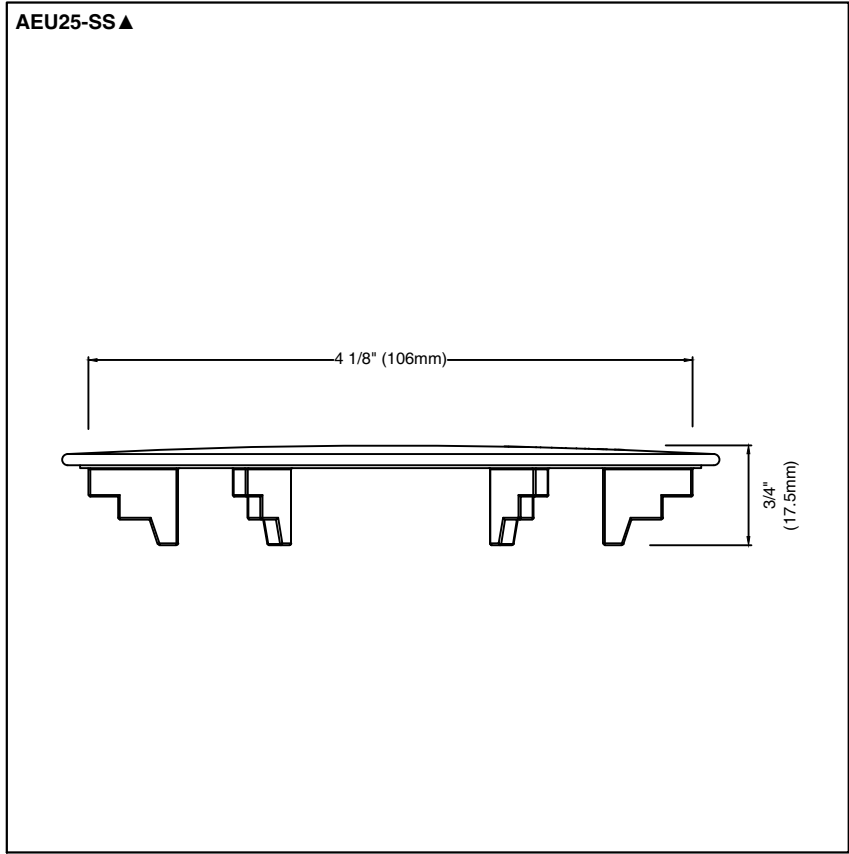
### WARRANTY:

- 1 Year Limited Warranty



Submitted Model No.: \_\_\_\_\_

Specific Features: \_\_\_\_\_



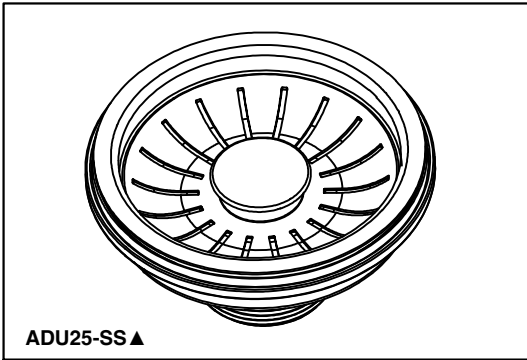
▲ Designate proper finish suffix  
 Delta reserves the right (1) to make changes in specifications and materials, and (2) to change or discontinue models, both without notice or obligation. Dimensions are for reference only. See current full-line price book or [www.deltafaucet.com](http://www.deltafaucet.com) for finish options and product availability.



see what Delta can do™

## KITCHEN ACCESSORY

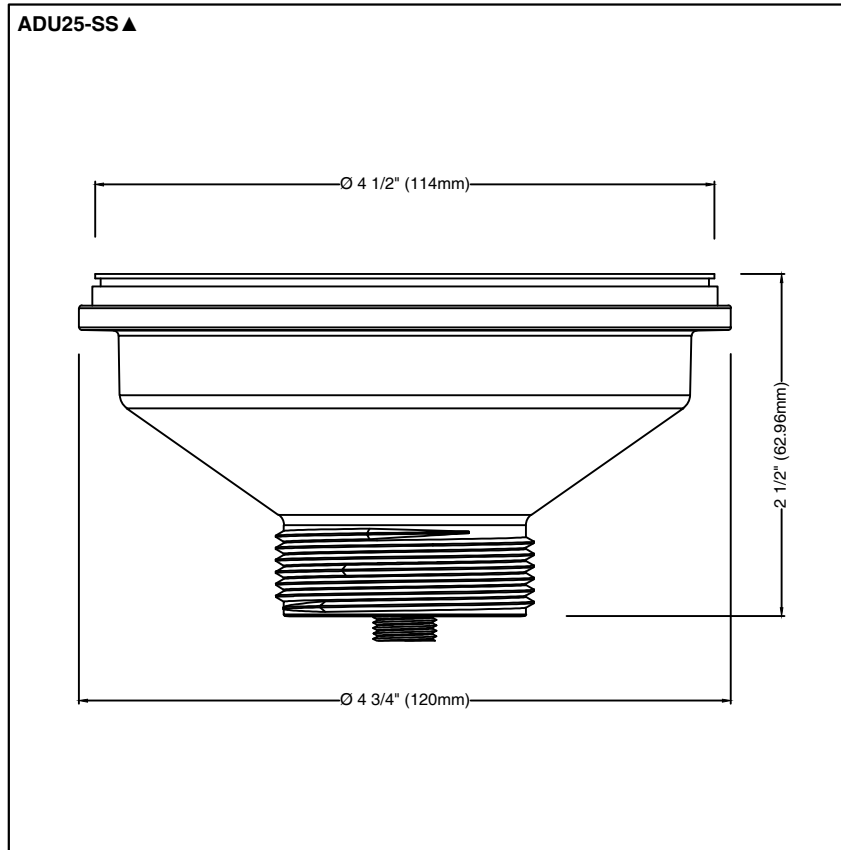
### ■ Kitchen Strainer



ADU25-SS ▲

Submitted Model No.: \_\_\_\_\_

Specific Features: \_\_\_\_\_



### FEATURES:

- Strainer traps food particles and debris to keep drain clear
- Maximizes your sinks functionality and complements the look of your kitchen
- The open/close stopper creates a tight seal that prevents food and debris from clogging the drainpipe
- Durable Stainless Steel Construction
- Compatible with 95A931-25S-SS, 95A931-30S-SS, 95A931-33D-SS, 95A931-33S-SS, 95A932-25S-SS, 95A932-30S-SS, 95A932-33S-SS, 95B931-27S-SS, 95B931-30S-SS, 95B931-32S-SS, 95B931-33D-SS, 95B932-27S-SS, 95B932-30S-SS and 95B932-32S-SS kitchen sinks

### STANDARD SPECIFICATIONS:

- Stainless Steel Construction
- Product Height: 2 1/2"
- Product Length: 4 1/2"
- Product Width: 4 1/2"

### WARRANTY:

- 1 Year Limited Warranty

#### ▲ Designate proper finish suffix

Delta reserves the right (1) to make changes in specifications and materials, and (2) to change or discontinue models, both without notice or obligation. Dimensions are for reference only. See current full-line price book or [www.deltafaucet.com](http://www.deltafaucet.com) for finish options and product availability.

#### Delta Faucet Company

55 E. 111th Street, Indianapolis, IN 46280  
350 South Edgeware Road, St. Thomas, ON N5P 4L1  
Sinksupport@deltafaucet.com  
© 2021 Delta Faucet Company



see what Delta can do™

## KITCHEN ACCESSORY

- Cutting Board

### FEATURES:

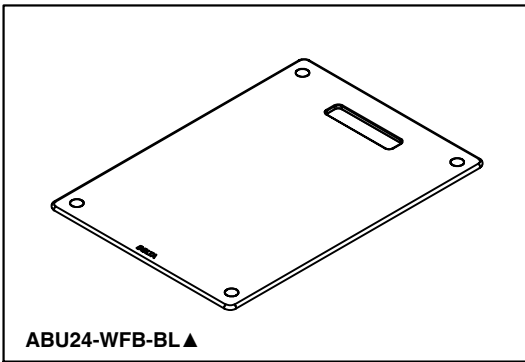
- Made from 100% Food-Grade Wood Fiber material composed of FSC-certified wood and recycled paper
- Ultra-strong, yet lightweight
- Heat Resistant up to 350°F
- Dishwasher safe
- Surface is stain resistant and non-porous preventing bacteria from growing on it
- Impact resistance - Is able to withstand impacts with blunt objects without damage
- Silicone feet make it convenient to use on counter

### STANDARD SPECIFICATIONS:

- Wood Fiber Construction
- Product Height: 1/4"
- Product Length: 12"
- Product Width: 16 7/8"

### WARRANTY:

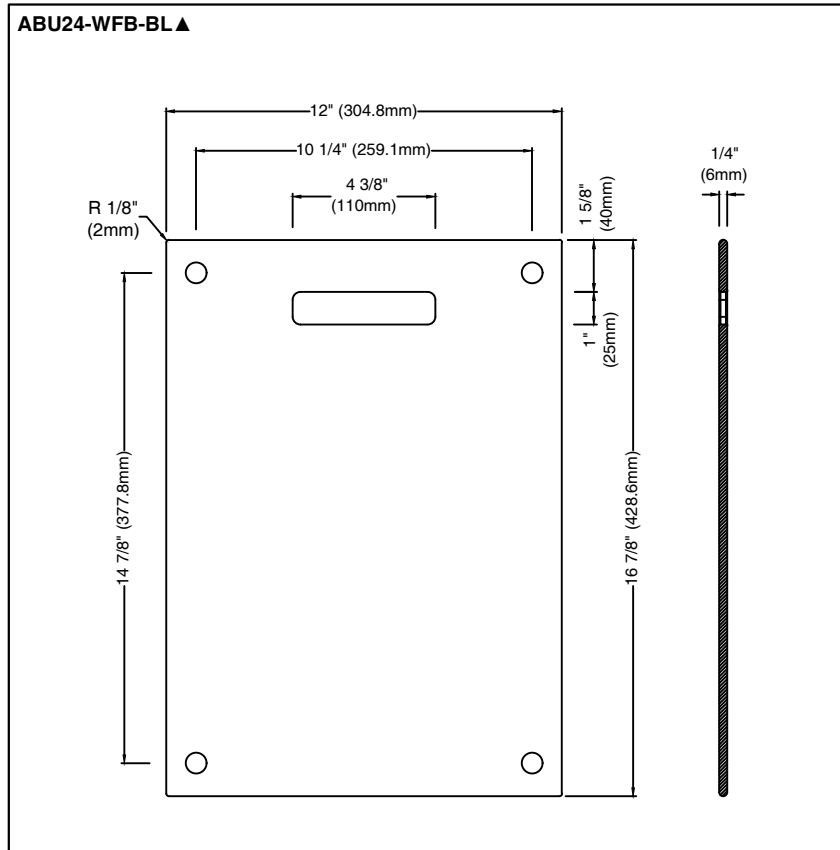
- 1 Year Limited Warranty



ABU24-WFB-BL ▲

Submitted Model No.: \_\_\_\_\_

Specific Features: \_\_\_\_\_



#### ▲ Designate proper finish suffix

Delta reserves the right (1) to make changes in specifications and materials, and (2) to change or discontinue models, both without notice or obligation. Dimensions are for reference only. See current full-line price book or [www.deltafaucet.com](http://www.deltafaucet.com) for finish options and product availability.

#### Delta Faucet Company

55 E. 111th Street, Indianapolis, IN 46280  
350 South Edgeware Road, St. Thomas, ON N5P 4L1  
Sinksupport@deltafaucet.com  
© 2021 Delta Faucet Company