



see what Delta can do™

KITCHEN SINKS

- Everest® Collection
- Undermount Granite Workstation

FEATURES:

- Undermount Single Bowl Sink
- Rear Off Set Drain

STANDARD SPECIFICATIONS:

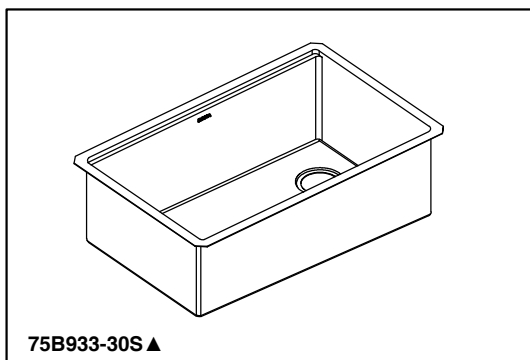
- Granite Composite Construction
- Required Minimum Cabinet Size: 33" Left to Right, 24" Front to Back
- 3 1/2" Drain Opening
- Strainer ADU25-GR (included)
- Drying Mat ACU25-SDDM (included)
- Cutting Board ABU24-HPL (included)
- Rolling Mat ACU24-SRMC (included)
- Cut-Out Template (included)
- Mounting Hardware (included)
- Available in Black, White and Dark Grey

WARRANTY:

- Lifetime Limited Warranty

COMPLIES WITH:

- cUPC

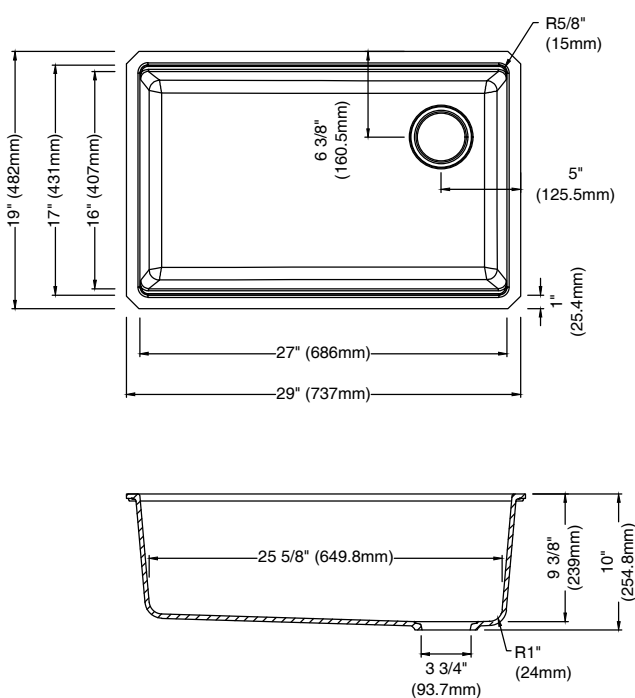


75B933-30S ▲

Submitted Model No.: _____

Specific Features: _____

75B933-30S ▲



▲ Designate proper finish suffix

Delta reserves the right (1) to make changes in specifications and materials, and (2) to change or discontinue models, both without notice or obligation. Dimensions are for reference only. See current full-line price book or www.deltafaucet.com for finish options and product availability.

Delta Faucet Company

55 E. 111th Street, Indianapolis, IN 46280
350 South Edgeware Road, St. Thomas, ON N5P 4L1
Sinksupport@deltafaucet.com
© 2021 Delta Faucet Company



see what Delta can do™

KITCHEN ACCESSORY

- Cutting Board

FEATURES:

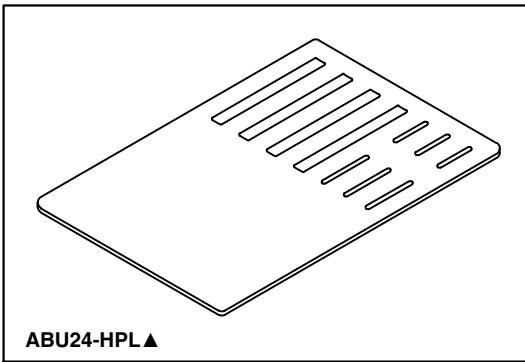
- Impact resistance - Is able to withstand impacts with blunt objects without damage
- Scratch, wear, and tear resistant - Its density makes it resistant to scratches and wear
- Lightfastness - Does not suffer damage from UV rays and is not subject to discoloration
- Ease of cleaning - Almost all normal household cleaning products or disinfectants are tolerated perfectly well, as long as they are not abrasive or strongly acidic or alkaline. A simple cloth dampened with hot water is almost always sufficient, because the surfaces are compact, not very porous, and are resistant to the stains and chemicals commonly used in a domestic environment.
- Hygienic - Veneer Material inhibits bacterial growth and reduce the quantity of bacteria by 99%.
- Being hygienic and heat resistant, it is suitable for contact with food
- Available with Built in plate rack and Fork & Knife slots
- Available in Black, White and Grey finish

STANDARD SPECIFICATIONS:

- HPL Wood Veneer Construction
- Product Height: 1/4"
- Product Length: 11"
- Product Width: 16 7/8"

WARRANTY:

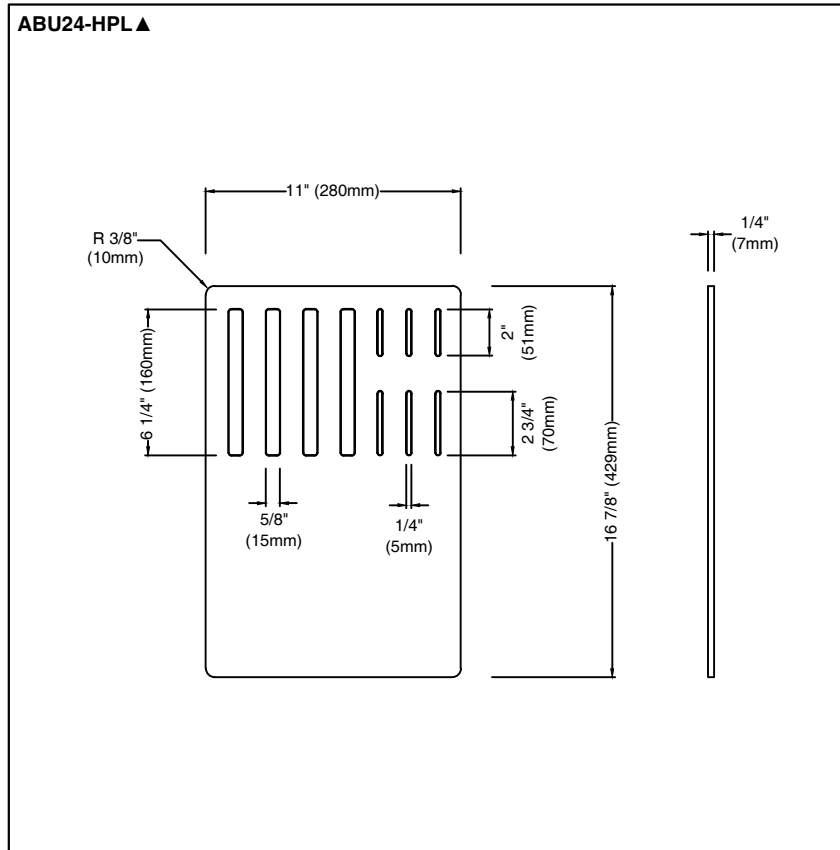
- 1 Year Limited Warranty



ABU24-HPL ▲

Submitted Model No.: _____

Specific Features: _____



▲ Designate proper finish suffix

Delta reserves the right (1) to make changes in specifications and materials, and (2) to change or discontinue models, both without notice or obligation. Dimensions are for reference only. See current full-line price book or www.deltafaucet.com for finish options and product availability.

Delta Faucet Company

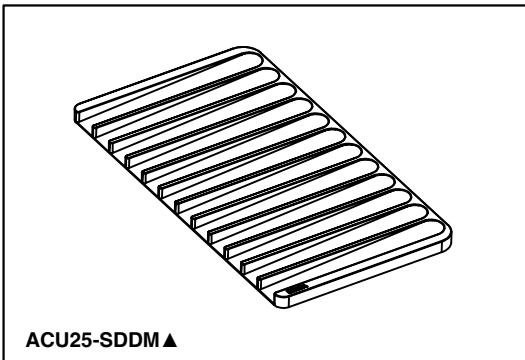
55 E. 111th Street, Indianapolis, IN 46280
350 South Edgeware Road, St. Thomas, ON N5P 4L1
Sinksupport@deltafaucet.com
© 2021 Delta Faucet Company



see what Delta can do™

KITCHEN ACCESSORY

- Multipurpose Drying Mat

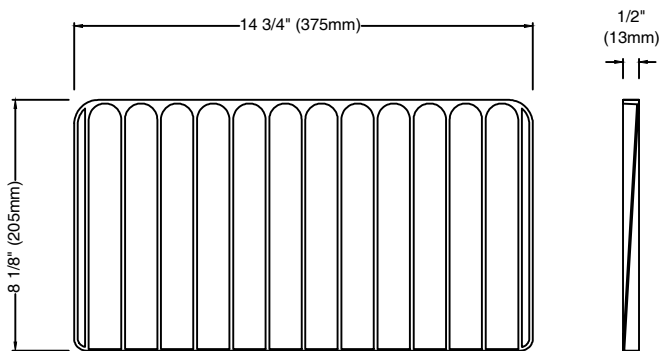


ACU25-SDDM ▲

Submitted Model No.: _____

Specific Features: _____

ACU25-SDDM ▲



FEATURES:

- Multi-Purpose dish drying rack
- Can be placed on your counter or within your sink to dry off your dishes
- Raised, angled and silicone ribs draw water into your sink and away from your dishes
- Unique Design holds dishes flat regardless of where they are placed on the mat
- 100% Food-Safe Silicone Coating: BPA-free and FDA approved
- Heat-Resistant up to 400°F
- Rolls up into a compact cylinder
- Easy to Clean: Simply rinse it off right in the sink
- Available in Black or Dark Grey
- Only compatible with Undermount sinks

STANDARD SPECIFICATIONS:

- Silicone Construction
- Product Height: 1/2"
- Product Length: 14 3/4"
- Product Width: 8 1/8"

WARRANTY:

- 1 Year Limited Warranty

▲ Designate proper finish suffix

Delta reserves the right (1) to make changes in specifications and materials, and (2) to change or discontinue models, both without notice or obligation. Dimensions are for reference only. See current full-line price book or www.deltafaucet.com for finish options and product availability.

Delta Faucet Company

55 E. 111th Street, Indianapolis, IN 46280
350 South Edgeware Road, St. Thomas, ON N5P 4L1
Sinksupport@deltafaucet.com
© 2021 Delta Faucet Company



see what Delta can do™

KITCHEN ACCESSORY

■ Kitchen Strainer

FEATURES:

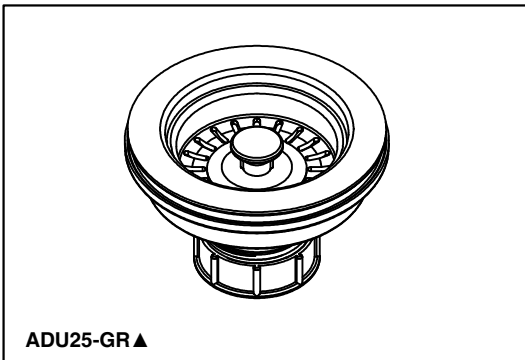
- Removable strainer traps food particles and debris to keep drain clear
- Maximize your sink's functionality and complement the look of your kitchen
- Removable strainer with open-close stopper
- Durable plastic construction
- Fits standard 3-1/2" or 4" drain opening
- Durable Colored Strainer will not Chip or Scratch overtime
- Available in Black, White and Grey

STANDARD SPECIFICATIONS:

- Plastic Construction
- Product Height: 2 3/4"
- Product Length: 4 1/2"
- Product Width: 4 1/2"

WARRANTY:

- 1 Year Limited Warranty

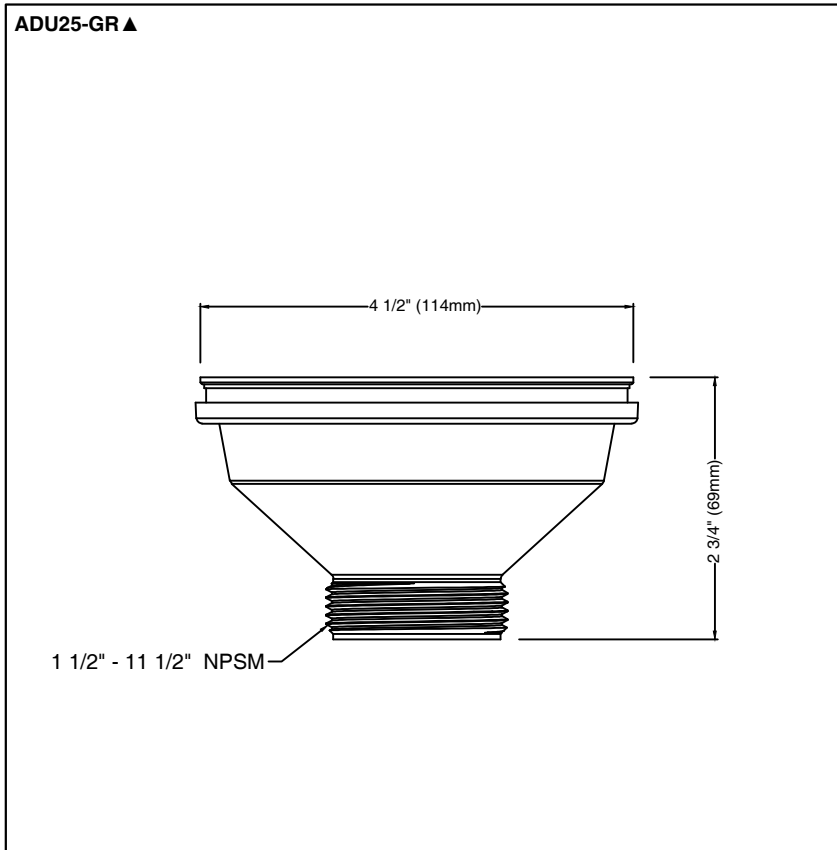


ADU25-GR ▲

Submitted Model No.: _____

Specific Features: _____

ADU25-GR ▲



▲ Designate proper finish suffix

Delta reserves the right (1) to make changes in specifications and materials, and (2) to change or discontinue models, both without notice or obligation. Dimensions are for reference only. See current full-line price book or www.deltafaucet.com for finish options and product availability.

Delta Faucet Company

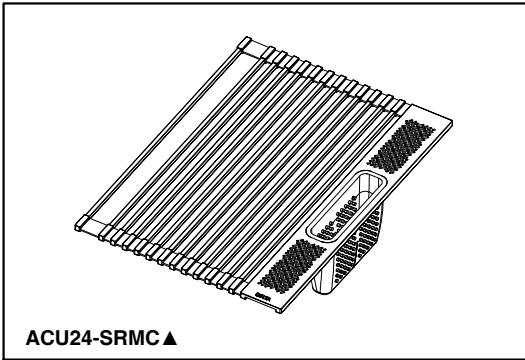
55 E. 111th Street, Indianapolis, IN 46280
350 South Edgeware Road, St. Thomas, ON N5P 4L1
Sinksupport@deltafaucet.com
© 2021 Delta Faucet Company



see what Delta can do™

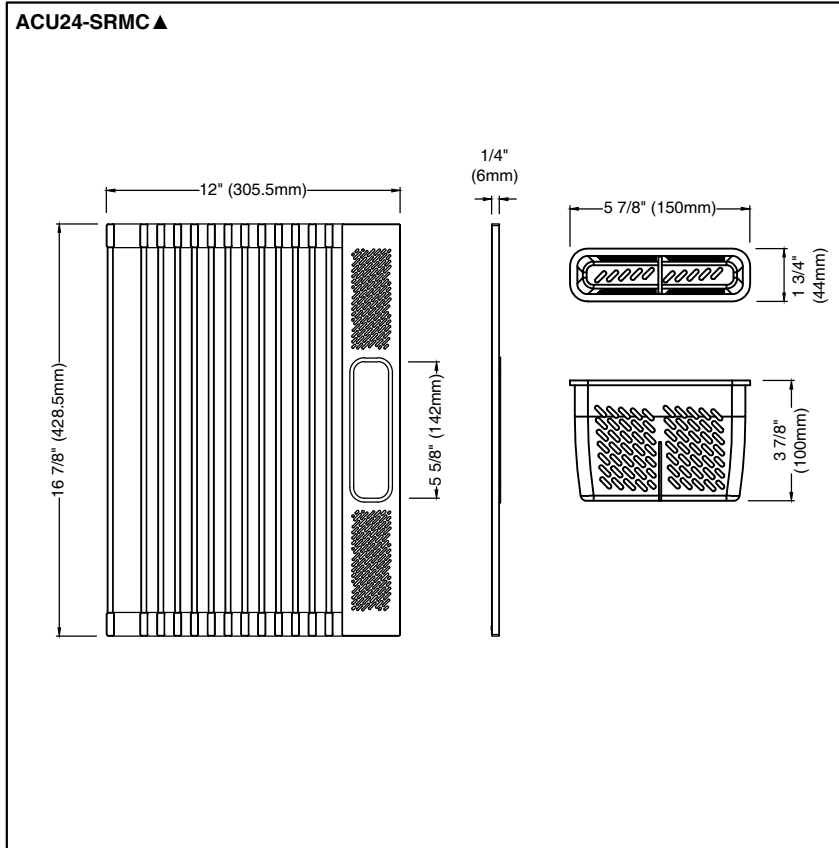
KITCHEN ACCESSORY

■ Kitchen Rolling Mat



Submitted Model No.: _____

Specific Features: _____



▲ Designate proper finish suffix

Delta reserves the right (1) to make changes in specifications and materials, and (2) to change or discontinue models, both without notice or obligation. Dimensions are for reference only. See current full-line price book or www.deltafaucet.com for finish options and product availability.

ACU24-SRMC

FEATURES:

- Multi-Purpose Roll-Up Dish Drying Rack with Caddy saves space and keeps your counters free of clutter
- Fits Over Your Kitchen Sink, creating a multi-functional workspace for drip-drying dishes and washing produce
- Sturdy Over-the-Sink Drying Rack: Made from heavy-duty stainless steel with soft silicone coating, holds heavy items without bending and supports up to 85 lbs.
- Rust-Resistant and Non-Slip: Sturdier and more stable than rolling mats without protective silicone coating
- Heat-Resistant up to 400°F: Perfect for use as a trivet mat to protect your kitchen countertops against damage from hot items like pans or baking sheets straight out of the oven
- Perfect for use as a Cooling Rack for quickly cooling cakes and cookies with increased airflow
- Easy to Store: Rolls up into a compact cylinder for convenient storage in your kitchen cabinet
- Easy to Clean: Simply rinse it off right in the sink
- Available in Black or Dark Grey

STANDARD SPECIFICATIONS:

- Silicone Construction
- Product Height: 3 7/8"
- Product Length: 12"
- Product Width: 16 7/8"

WARRANTY:

- 1 Year Limited Warranty

Delta Faucet Company

55 E. 111th Street, Indianapolis, IN 46280
350 South Edgeware Road, St. Thomas, ON N5P 4L1
Sinksupport@deltafaucet.com
© 2021 Delta Faucet Company