



see what Delta can do™

MODEL/MODELO/MODÈLE 95B9132

Register Online  
Regístrese en línea  
S'enregistrer en ligne  
[www.deltafaucet.com/registerme](http://www.deltafaucet.com/registerme)

To reference replacement parts and access additional technical documents and product info, visit [www.deltafaucet.com](http://www.deltafaucet.com)

Para referencia sobre las piezas de repuesto y acceder a documentos técnicos adicionales e información del producto, visite [www.deltafaucet.com](http://www.deltafaucet.com)

Pour obtenir la référence des pièces de rechange ainsi que pour avoir accès à d'autres documents techniques et renseignements sur le produit, allez à [www.deltafaucet.com](http://www.deltafaucet.com)



1-800-345-3358  
[Sinksupport@deltafaucet.com](mailto:Sinksupport@deltafaucet.com)

Read all instructions prior to installation.

**⚠ CAUTION**

Failure to read these instructions prior to installation may result in personal injury, property damage, or product failure. Manufacturer assumes no responsibility for product failure due to improper installation.

Lea todas las instrucciones antes de hacer la instalación.

**⚠ ADVERTENCIA**

El no leer estas instrucciones de instalación puede resultar en lesiones personales, daños a la propiedad, o falla en el funcionamiento del producto. El fabricante no asume ninguna responsabilidad por la falla del producto debido a una instalación incorrecta.

Veillez lire toutes les instructions avant l'installation.

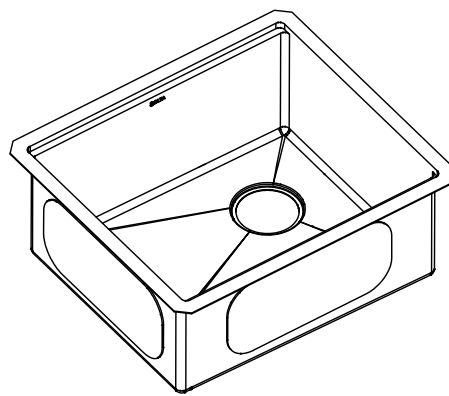
**⚠ AVERTISSEMENT**

L'omission de lire les présentes instructions avant l'installation peut entraîner des blessures, des dommages matériels ou le bris du produit. Le fabricant se dégage de toute responsabilité à l'égard d'un bris du produit causé par une mauvaise installation.

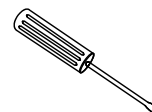
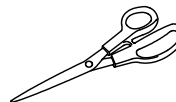
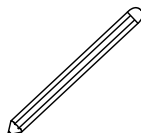
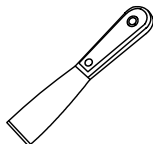
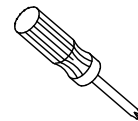
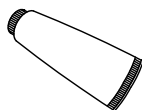
**LORELAI™ WORKSTATION STAINLESS STEEL UNDERMOUNT KITCHEN SINK**

**ÉVIER DE CUISINE ENCASTRABLE EN ACIER INOXYDABLE DE LA SÉRIE POSTES DE TRAVAIL LORELAI™**

**LORELAI™ ESTACIÓN DE TRABAJO ACERO INOXIDABLE FREGADERO DE COCINA INFERIOR**



You may need:  
Usted puede necesitar:  
Articles dont vous pouvez avoir besoin:



### **Cleaning and Care**

Clean your sink on a regular basis with warm soapy water. Rinse the sink after using cleaning products. Wipe the sink surface with a soft cloth to remove any liquid residue. Do not cut food directly on the surface of the sink. Do not leave sharp objects on the surface of the sink for an extended period of time. Do not use abrasive cleaning products, sanding tools, steel wool, or bleaching products

### **Instructions de nettoyage**

Nettoyez régulièrement l'évier avec de l'eau chaude savonneuse. Rincez l'évier suite à l'utilisation de produits nettoyants. Essuyez la surface de l'évier avec un chiffon doux pour enlever tout résidu de liquide. Évitez de couper des aliments directement sur la surface de l'évier. Évitez de laisser des objets pointus sur la surface de l'évier pendant une période prolongée. Évitez les produits nettoyants abrasifs, les outils de ponçage, les laines d'acier ou les produits de blanchiment

### **Limpeza y Cuidado de su Llave**

Limpie su fregadero de forma regular con agua tibia y jabón. Enjuague el fregadero después de usar productos de limpieza. Limpie la superficie del fregadero con un paño suave para eliminar cualquier residuo líquido. No corte los alimentos directamente en la superficie del fregadero. No deje objetos filosos en la superficie del fregadero durante un período prolongado de tiempo. No use productos de limpieza abrasivos, herramientas de lijado, lana de acero o productos blanqueadores

## **PARTS LIST / LISTE DES PIÈCES / LISTA DE PIEZAS**

---

### 95B9132-23S-SS

- Cut-Out Template / Gabarit de découpe / Plantilla de recorte
- Mounting Hardware / Ferrure de fixation / Tornillería de montaje
- Strainer / Crépine / Filtro ADU25-SS
- Drain Cap / Bouchon de vidange / Tapón de drenaje AEU25-SS
- Bottom Grid / Grille inférieure / Cuadrícula inferior AFU32-UM23-SS
- Cutting Board / Planche à découper / Tabla de cortar ABU24-WCB-AC
- Drying Mat / Tapis de séchage / Estera de secado ACU25-SDDM-DG

### 95B9132-24SL-SS

- Cut-Out Template / Gabarit de découpe / Plantilla de recorte
- Mounting Hardware / Ferrure de fixation / Tornillería de montaje
- Strainer / Crépine / Filtro ADU25-SS
- Drain Cap / Bouchon de vidange / Tapón de drenaje AEU25-SS
- Bottom Grid / Grille inférieure / Cuadrícula inferior AFU32-UM24-SS
- Cutting Board / Planche à découper / Tabla de cortar ABU24-WCB-AC
- Drying Mat / Tapis de séchage / Estera de secado ACU25-SDDM-DG

## **REPLACEMENT PARTS LIST / LISTE DES PIÈCES DE RECHANGE / LISTA DE PIEZAS DE REPUESTO**

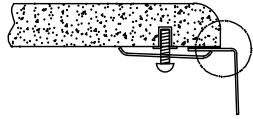
---

SRPU10000 - Undermount Clips (10 pieces) / Clips Undermount (10 pièces) / Clips de montaje inferior (10 piezas)

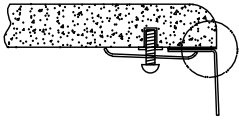
# UNDERMOUNT INSTALLATION / MONTAGE SOUS PLAN / INSTALACIÓN BAJO ENCIMERA

1

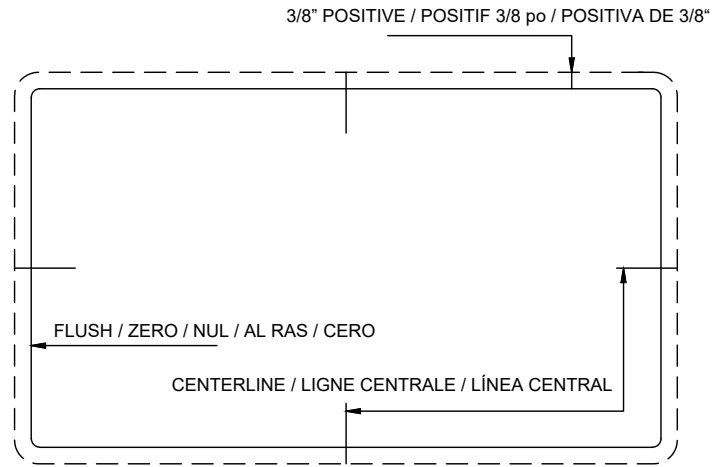
DETERMINE REVEAL TYPE  
DÉTERMINATION DU POURTOUR EXPOSÉ  
DETERMINE EL TIPO DE RANURA



3/8" Positive Reveal / Pourtour exposé positif de 3/8 po / Ranura positiva de 3/8"



Flush/Zero Reveal / Pourtour exposé nul / Ranura al ras/cero



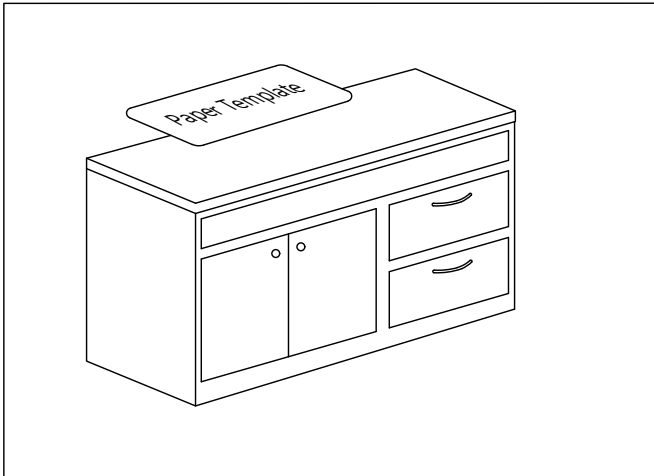
Use scissors to cut along the line of the paper template for your desired reveal type (Positive or Flush Reveal)

Utilisez des ciseaux pour découper le gabarit en papier selon le type de pourtour exposé désiré (positif ou nul)

Use tijeras para cortar a lo largo de la línea de la plantilla de papel para el tipo de ranura deseado (positiva o al ras)

**2**

**POSITION TEMPLATE  
POSITIONNEMENT DU GABARIT DE DÉCOUPE  
COLOQUE LA PLANTILLA**



Check the cut-out template against the actual sink to ensure a proper sized cut-out.  
Place the cut-out template in the desired location on the countertop.

**NOTE:** Make sure clearance is suitable for backsplash, faucet, and plumbing for the sink.

Comparez le gabarit de découpe à l'évier réel pour assurer une taille de découpe adéquate.  
Placez le gabarit de découpe à l'endroit désiré sur le comptoir.

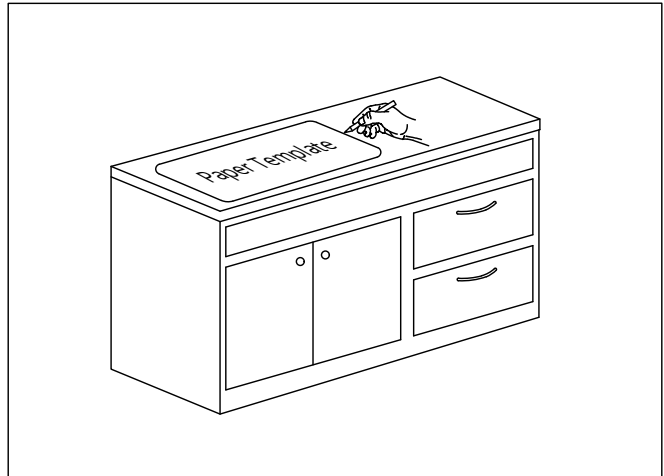
**REMARQUE:** Assurez-vous de laisser un dégagement suffisant pour le dossier, le robinet et la plomberie de l'évier.

Compare la plantilla de recorte con el fregadero real para asegurar un recorte del tamaño adecuado.  
Coloque la plantilla de recorte en la ubicación deseada en la encimera.

**NOTA:** Asegúrese de que el espacio libre sea adecuado para el protector contra salpicaduras, el grifo y la tubería del fregadero.

**3**

**TRACE TEMPLATE  
TRAÇAGE DU GABARIT  
SIGA EL CONTORNO DE LA PLANTILLA**



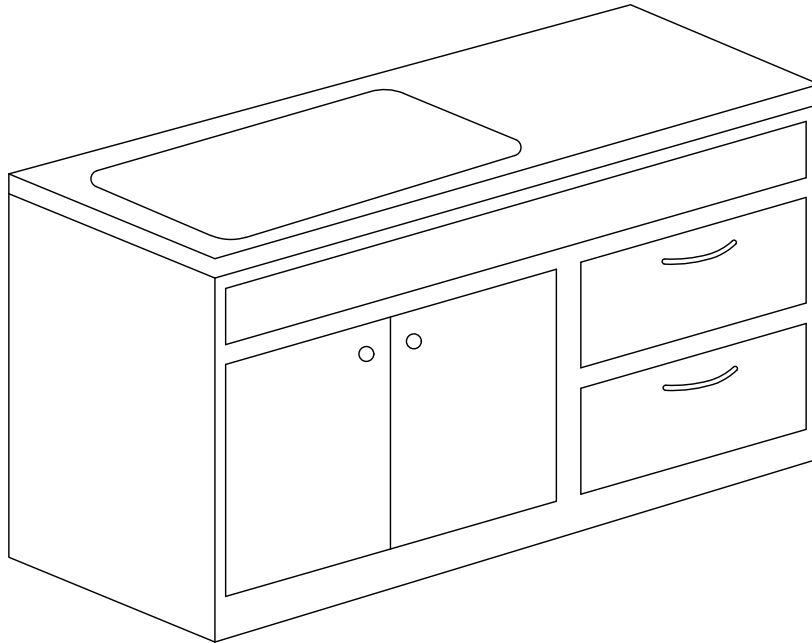
Trace template on countertop with a pencil.

À l'aide d'un crayon, tracez le gabarit sur le comptoir.

Trace la plantilla en la encimera con un lápiz.

# 4

## CUT COUNTERTOP COUPE DU COMPTOIR CORTE LA ENCIMERA



Cut the opening in the countertop by carefully following the traced line.

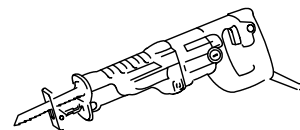
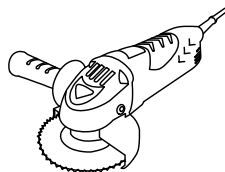
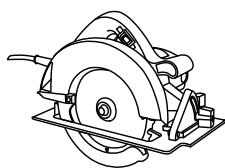
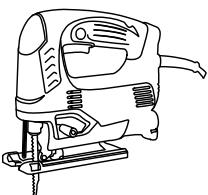
NOTE: Please use the appropriate saw that best fits your countertop material.

Découpez l'ouverture dans le comptoir en suivant attentivement la ligne tracée.

REMARQUE: Veuillez utiliser une scie adaptée au revêtement de comptoir.

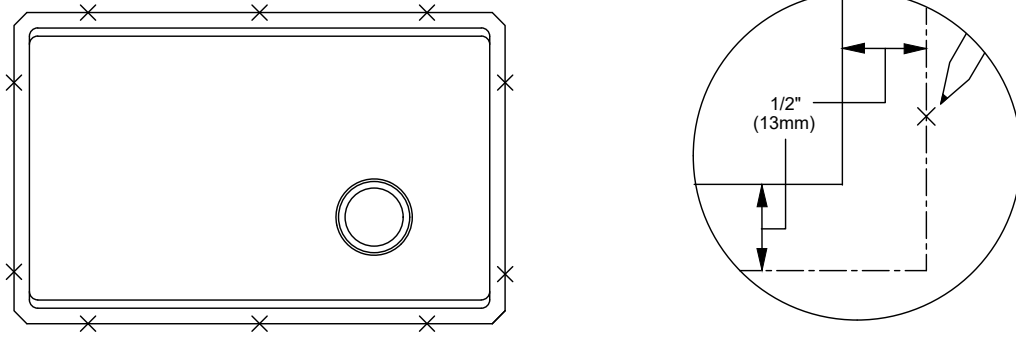
Corte la abertura en la encimera siguiendo cuidadosamente la línea trazada.

NOTA: Utilice la sierra adecuada que se adapte mejor a su material de encimera.



# 5

## SET UP MOUNTING BRACKETS CONFIGURATION DES SUPPORTS DE MONTAGE CONFIGURE LOS SOPORTES DE MONTAJE



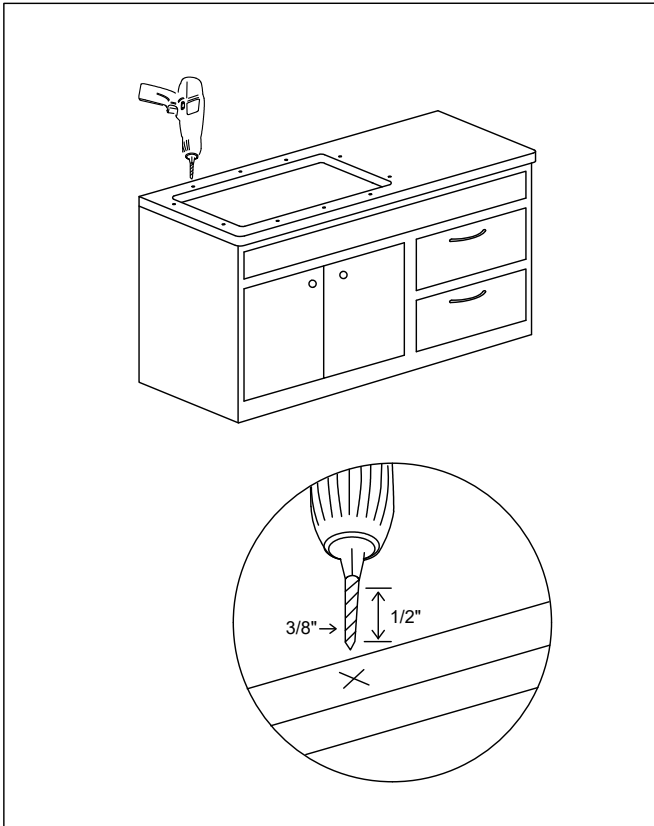
Turn countertop over and align sink with countertop. Decide location for mounting brackets.  
Mounting holes should be  $\frac{1}{2}$ " from edge of sink.

Retournez le comptoir et alignez l'évier avec le comptoir. Déterminez l'emplacement des supports de montage.  
Les trous de montage doivent être situés à  $\frac{1}{2}$  po du bord de l'évier.

Voltee la encimera y alinee el fregadero con la encimera. Decida la ubicación para los soportes de montaje.  
Los orificios de montaje deben estar a  $\frac{1}{2}$ " del borde del fregadero.

**6**

**DRILL HOLE IN COUNTERTOP**  
**PERÇAGE D'UN TROU DANS LE COMPTOIR**  
**TALADRE EL ORIFICIO EN LA ENCIMERA**



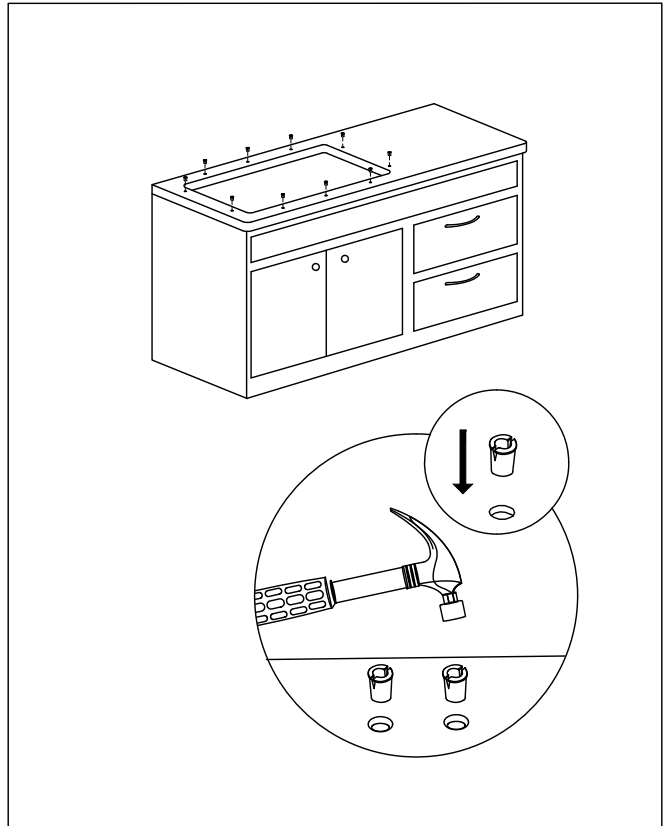
Drill 3/8" diameter x 1/2" deep hole in the countertop.

Percez un trou de 3/8 po de diamètre et de 1/2 po de profondeur dans le comptoir.

Taladre un orificio de 3/8 "de diámetro x 1/2" de profundidad en la encimera.

**7**

**INSTALL ANCHORS**  
**INSTALLATION DES ANCRAGES**  
**INSTALE LOS ANCLAJES**



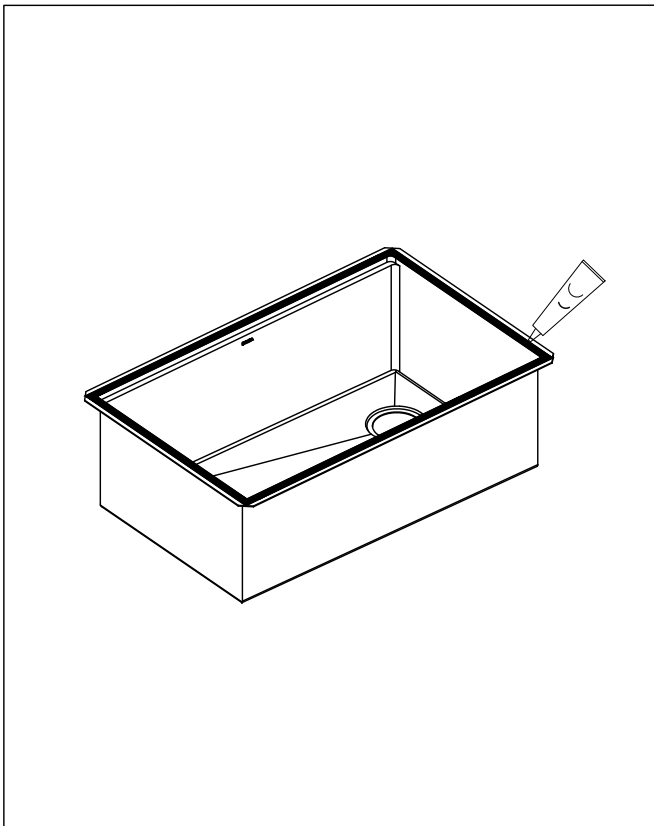
Insert anchors into drilled holes and lightly tap with a hammer until flush.

Insérez les ancrages dans les trous percés et frappez-les délicatement avec un marteau pour les enfoncer.

Inserte los anclajes en los agujeros taladrados y golpee suavemente con un martillo hasta que queden al ras.

**8**

**SECURE SINK TO COUNTERTOP  
FIXATION DE L'ÉVIER AU COMPTOIR  
ASEGURE EL FREGADERO A LA ENCIMERA**



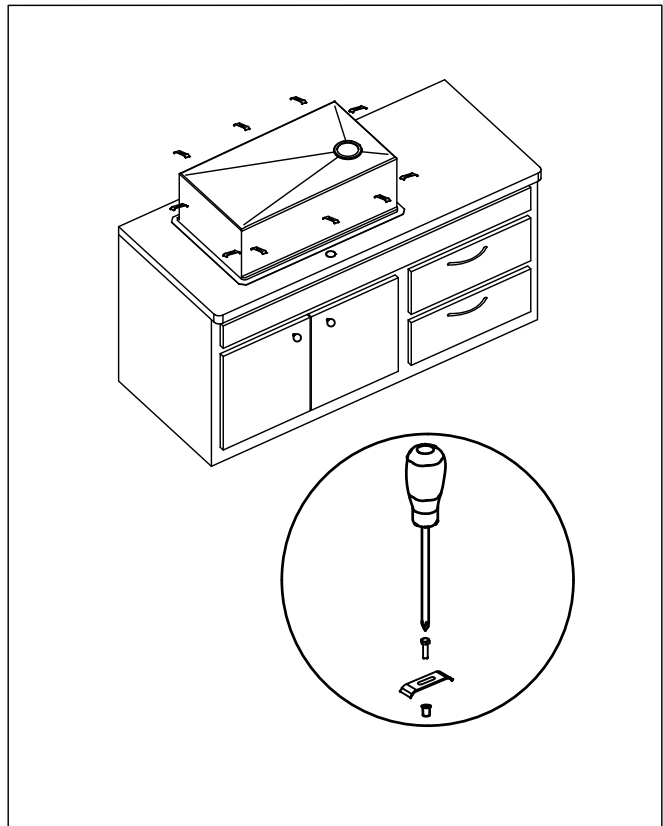
Use a bead of silicone (or preferred adhesive) around the rim of the sink. Check the alignment of the sink to the cutout in the countertop. Place sink over cutout hole and press firmly.

Utilisez un joint de silicone (ou l'adhésif de votre choix) autour du rebord de l'évier. Vérifiez l'alignement de l'évier par rapport à la découpe dans le comptoir. Placez l'évier au-dessus du trou découpé et appuyez fermement.

Use un cordón de silicona (o adhesivo preferido) alrededor del borde del fregadero. Verifique la alineación del fregadero con el corte en la encimera. Coloque el fregadero sobre el orificio recortado y presione firmemente.

**9**

**ATTACH MOUNTING HARDWARE  
FIXATION DU MATÉRIEL DE MONTAGE  
FIJE LOS ACCESORIOS DE MONTAJE**



Attach mounting hardware to secure bowl. Remove excess sealant from inside lip. Allow sealant to set for 30 – 60 minutes.

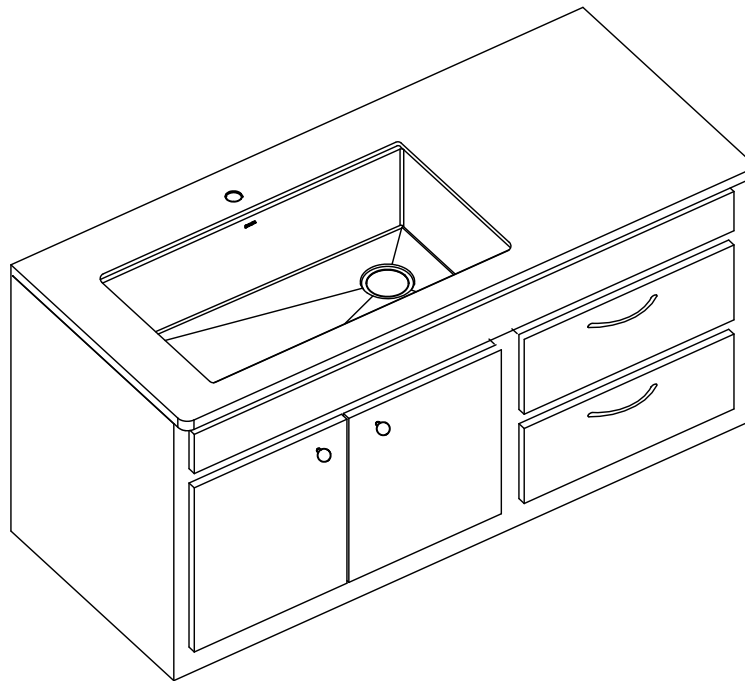
Fixez le matériel de montage pour faire tenir la cuve. Enlevez l'excédent de produit d'étanchéité sur le rebord interne. Laissez durcir le produit d'étanchéité pendant de 30 à 60 minutes.

Fije los accesorios de montaje para asegurar el recipiente. Retire el exceso de sellador del borde interno. Permita que el sellador se fije durante 30 a 60 minutos.



# 10

## INSTALL PLUMBING FIXTURES INSTALLATION DES APPAREILS DE PLOMBERIE INSTALE LOS ACCESORIOS DE PLOMERÍA



Connect drain to sink. Connect trap to drain. Connect water supply connections to faucet according to manufacturer's instructions.  
Run water into sink and check for leaks.

NOTE: Before installation, please check that the drain kit complies with ASME A112.18.2/CSA B125.2 and with CUPC certification.

Raccordez le drain à l'évier. Raccordez le siphon au drain. Raccordez les conduites d'alimentation en eau au robinet, conformément aux instructions du fabricant.  
Faites couler l'eau dans l'évier et vérifiez s'il y a des fuites indésirables.

REMARQUE: Avant l'installation, veuillez vérifier que le kit de vidange est conforme à la norme ASME A112.18.2 / CSA B125.2 et à la certification CUPC.

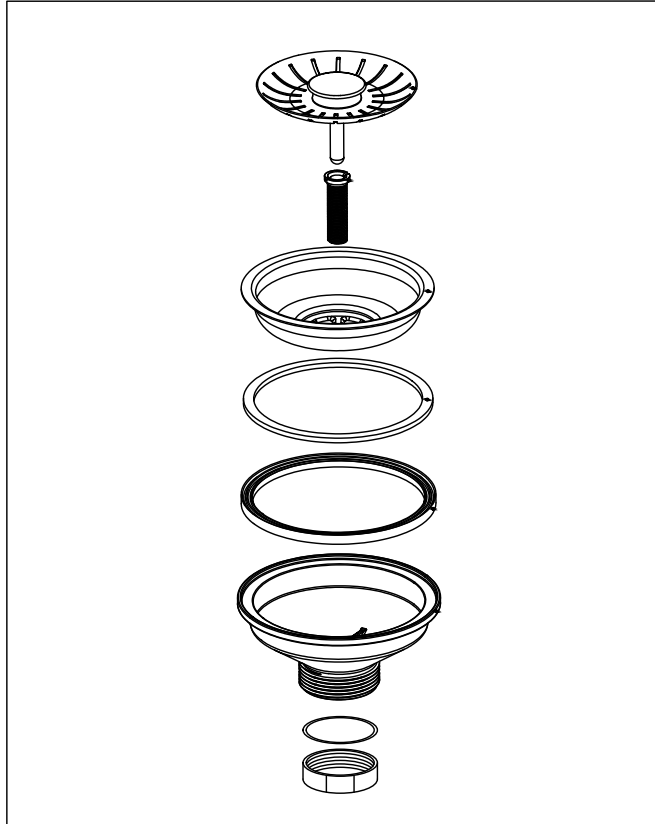
Conecte las conexiones de suministro de agua al grifo de acuerdo con las instrucciones del fabricante.  
Haga correr agua en el fregadero y verifique si hay fugas.

NOTA: Antes de la instalación, verifique que el kit de drenaje cumpla con ASME A112.18.2 / CSA B125.2 y con la certificación CUPC.

# STRAINER INSTALLATION / INSTALLATION DE LA CRÉPINE / INSTALACIÓN DEL FILTRO

## 1

**DISASSEMBLE STRAINER  
DÉMONTAGE DE LA CRÉPINE  
COLADOR DESMONTABLE**



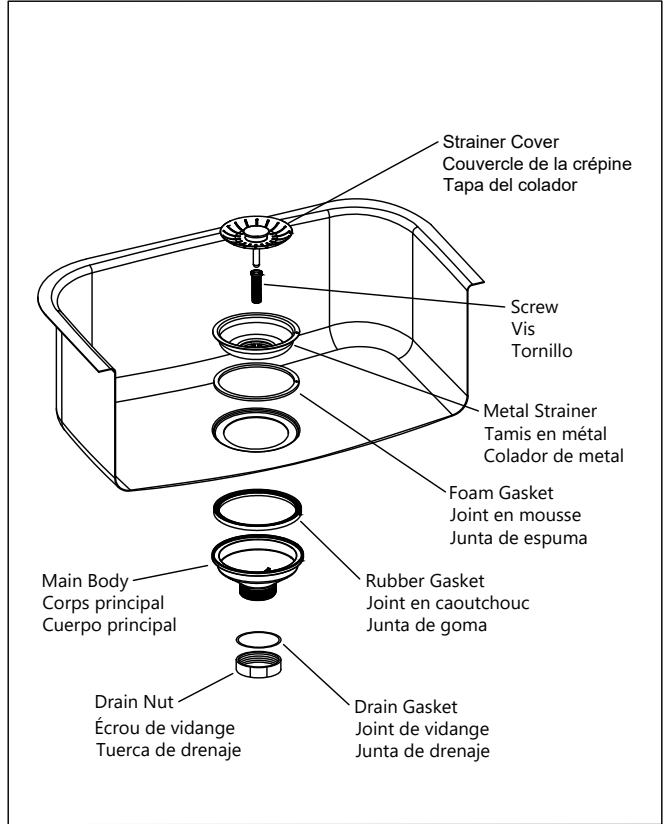
Disassemble strainer

Démonter la crépine

Desmontar el colador

## 2

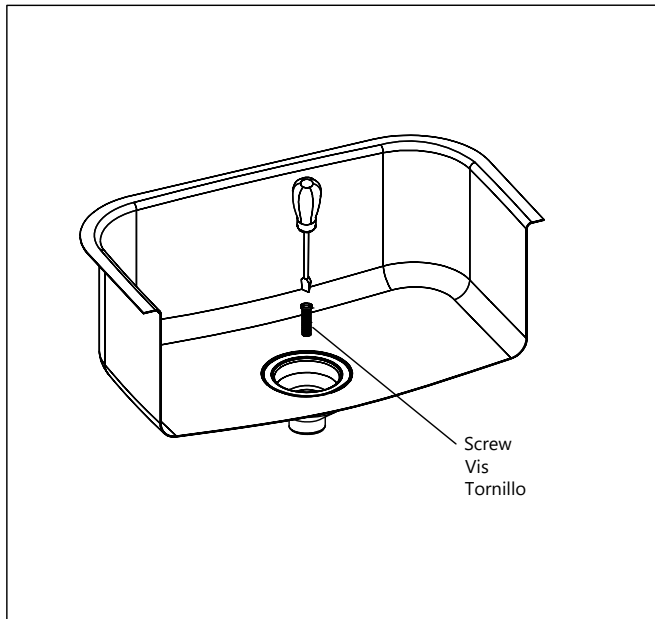
**INSTALL STRAINER  
INSTALLER LA CRÉPINE  
INSTALAR FILTRO**



Insert metal strainer into drain hole with foam gasket attached. Install rubber gasket and main body underneath the sink

Insérez la crépine métallique dans le trou de vidange avec le joint en mousse attaché. Installer du caoutchouc joint et corps principal sous l'évier.

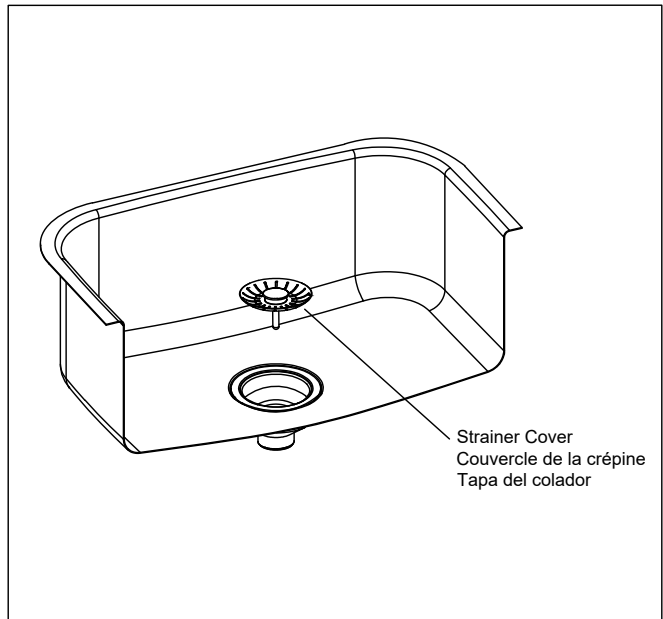
Inserte el colador de metal en el orificio de drenaje con la junta de espuma colocada. Instalar caucho Junta y cuerpo principal debajo del fregadero.

**3****TIGHTEN SCREW  
SERRER LA VIS  
APRIETE EL TORNILLO**

Using the screw, tighten the metal strainer and main body into place.

À l'aide de la vis, serrez la crépine métallique et le corps principal en place.

Con el tornillo, apriete el colador de metal y el cuerpo principal en su lugar.

**4****INSERT STRAINER COVER  
INSÉRER LE COUVERCLE DE CRÉPINE  
INSERTE LA TAPA DEL FILTRO**

Insert strainer cover to seal water.

Insérez le couvercle de la crépine pour sceller l'eau.

Inserte la tapa del colador para sellar el agua.

## DELTA FAUCET COMPANY LIMITED WARRANTY ON DELTA® KITCHEN SINKS

**Parts and Finish.** Delta Faucet Company warrants to the original consumer purchaser all parts and finishes of its Delta kitchen sink ("Product") purchased from an authorized Delta seller to be free from defects in material and workmanship for as long as the original consumer purchaser owns the home in which the sink is first installed. For commercial purchasers, the warranty period is five (5) years for multi-family residential use (apartments and condominiums) and one (1) year for all other commercial uses, in each case from the date of purchase. For purposes of this warranty, the term "multi-family residential application" refers to the purchase of the sink from an authorized Delta seller by a purchaser who owns but does not live in the residential dwelling in which the sink is initially installed, such as in a rented or leased single unit or multi-unit detached home (duplex or townhome), or a condominium, apartment building or community living center. The following installations are not considered multi-family residential applications, are excluded from the 5-year warranty and are subject to the 1-year warranty: industrial, institutional or other business premises, such as a dormitory, hospitality premises (hotel, motel or extended stay location), airport, educational facility, long- or short-term healthcare facility (hospital, rehabilitation center, nursing, assisted or staged-care living unit), public space or common area.

**Parts and Finish for Delta® Recertified Sinks.** Delta Faucet Company may offer for sale on [deltafaucet.com](http://deltafaucet.com) Delta® Recertified sinks. All parts and finishes of these Delta® Recertified sinks are warranted to the original consumer purchaser to be free from defects in material and workmanship for ten (10) years from the date of original purchase. For commercial purchasers, the warranty period is one (1) year from the date of original purchase.

**What We Will Do.** Delta Faucet Company will repair or replace, free of charge, during the applicable warranty period (as described above), any Product that proves defective in material and/or workmanship under normal installation, use and service. If repair or replacement is not practical, Delta Faucet Company may elect to refund the purchase price in exchange for the return of the product. **These are your exclusive remedies.**

**What is Not Covered.** Because Delta Faucet Company is unable to control the quality of Delta products sold by unauthorized sellers, unless otherwise prohibited by law, this warranty does not cover Delta products purchased from unauthorized sellers.

Any labor charges incurred by the purchaser to repair, replace, install or remove this Product are not covered by this warranty. Delta Faucet Company shall not be liable for any damage to the Product resulting from reasonable wear and tear, hard water or mineral deposits, exposure to corrosive materials, outdoor use, misuse (including use of the product for an unintended application), accident, alteration of the Product, abuse, neglect or improper or incorrectly performed installation, maintenance or repair, including failure to follow the applicable installation, care and cleaning instructions. Delta Faucet Company recommends using a professional plumber for all installation and repair.

**What You Must Do To Obtain Warranty Service or Replacement Parts.** A warranty claim may be made and replacement parts may be obtained by calling 1 800 355-2721 or by writing to (please include your model number and date of purchase):

**In the United States and Mexico:**  
Delta Faucet Company  
55 E. 111th Street  
Indianapolis, IN 46280  
Attention: Warranty Service  
[www.deltafaucet.com/service-parts/contact-us](http://www.deltafaucet.com/service-parts/contact-us)

**In Canada:**  
Masco Canada Limited, Plumbing Group  
Technical Service Centre  
350 South Edgeware Road  
St. Thomas, Ontario, Canada N5P 4L1  
Attention: Customer Service  
<http://www.deltafaucet.ca/customersupport/assistance.html>

Proof of purchase (original sales receipt) from the original purchaser must be made available to Delta Faucet Company for all warranty claims unless the purchaser has registered the Product with Delta Faucet Company.

**DO NOT USE CERTAIN CLEANING PRODUCTS.** Certain cleaning products may cause damage to the Product's finish and use of the following cleaning products will void this warranty:

- Abrasive cleaners such as powders, bleach, ammonia, alcohol or chlorine
- Abrasive pads, steel wool or wire brushes

**Limitation on Duration of Implied Warranties.** Please note that some states/provinces (including Quebec) do not allow limitations on how long an implied warranty lasts, so the below limitations may not apply to you. TO THE EXTENT PERMITTED BY LAW, ANY IMPLIED WARRANTY, INCLUDING THE IMPLIED WARRANTIES OF MERCHANTABILITY AND OF FITNESS FOR A PARTICULAR PURPOSE, IS LIMITED TO THE STATUTORY PERIOD OR THE DURATION OF THIS WARRANTY, WHICHEVER IS SHORTER.

**Limitation of Special, Incidental or Consequential Damages.** Please note that some states/provinces (including Quebec) do not allow the exclusion or limitation of special, incidental or consequential damages, so the below limitations and exclusions may not apply to you. DELTA FAUCET COMPANY SHALL NOT BE LIABLE FOR ANY SPECIAL, INCIDENTAL OR CONSEQUENTIAL DAMAGES (INCLUDING LABOR CHARGES TO REPAIR, REPLACE, INSTALL OR REMOVE THIS PRODUCT), WHETHER ARISING OUT OF BREACH OF ANY EXPRESS OR IMPLIED WARRANTY, BREACH OF CONTRACT, TORT, OR OTHERWISE. DELTA FAUCET COMPANY SHALL NOT BE LIABLE FOR ANY DAMAGE TO THE PRODUCT RESULTING FROM REASONABLE WEAR AND TEAR, HARD WATER OR MINERAL DEPOSITS, EXPOSURE TO CORROSIVE MATERIALS, OUTDOOR USE, MISUSE (INCLUDING USE OF THE PRODUCT FOR AN UNINTENDED APPLICATION), ACCIDENT, ALTERATION OF THE PRODUCT, ABUSE, NEGLIGENCE OR IMPROPER OR INCORRECTLY PERFORMED INSTALLATION, MAINTENANCE OR REPAIR, INCLUDING FAILURE TO FOLLOW THE APPLICABLE INSTALLATION, CARE AND CLEANING INSTRUCTIONS.

**Additional Rights.** This warranty gives you special legal rights, and you may also have other rights which vary from state/province to state/province.

This is Delta Faucet Company's exclusive written warranty and the warranty is not transferable.

If you have any questions or concerns regarding our warranty, please contact us as provided above or visit our website at [www.deltafaucet.com](http://www.deltafaucet.com).

© 2021 Delta Faucet Company

## DELTA® FAUCET COMPANY GARANTÍA LIMITADA DE LOS FREGADEROS DE COCINA

**Piezas y Acabados.** Delta Faucet Company garantiza al comprador consumidor original que todas las piezas y acabados de su fregadero ("Producto") comprado a un vendedor autorizado de Delta estar libre de defectos de material y fabricación durante el tiempo que el comprador original sea propietario de la vivienda en el que el fregadero fue originalmente instalado. En el caso de los consumidores comerciales, el período de garantía es de cinco (5) años, en residencias multi-familiares (apartamentos y condominios) es un (1) año y para todos los otros usos comerciales, en cada caso, a partir de la fecha de Para los propósitos de esta garantía, el término "aplicación multifamiliar residencial" se refiere a la compra del fregadero de un vendedor autorizado de Delta por el comprador propietario, pero que no vive en la vivienda residencial donde se instaló inicialmente el fregadero, como en una unidad alquilada o arrendada, o unidad o vivienda de multi-unidades (duplex o casas adosadas), o un condominio, edificio de apartamentos o centro de vivienda comunitaria. Las siguientes instalaciones no se consideran aplicaciones multifamiliares, están excluidas de la garantía de 5 años y están sujetas a la garantía de 1 año: instalaciones industriales, institucionales u otras instalaciones comerciales, como dormitorios, instalaciones de hotelería (hotel, motel o una alberga para estancias prolongadas), aeropuerto, centro educativo, centro de atención de salud a corto o largo plazo (hospital, centro de rehabilitación, enfermería, unidad de vivienda asistida o una unidad residencial de cuidado), espacio público o área común.

**Piezas y acabado para fregaderos recertificados Delta®.** Delta Faucet Company puede ofrecer a la venta en [deltafaucet.com](http://deltafaucet.com) los fregaderos Delta® Recertificados. Todas las partes y acabados de estos fregaderos Delta® Recertificados están garantizados al comprador consumidor original contra defectos de materiales y fabricación durante diez (10) años a partir de la fecha de compra original. Para compradores comerciales, el período de garantía es de un (1) año a partir de la fecha de compra original.

**Lo que haremos.** La compañía Delta Faucet Company reparará o reemplazará, sin costo alguno, durante el período de garantía aplicable (como descrito arriba) cualquier Producto que demuestre estar defectuoso en material y/o mano de obra bajo la instalación, el uso y el servicio normal. Si la reparación o el reemplazo no es práctico, Delta Faucet Company puede optar por reembolsarle el precio de compra a cambio de la devolución del Producto. **Estos son sus remedios exclusivos.**

**Lo que no está cubierto.** Debido a que Delta Faucet Company no puede controlar la calidad de los productos de Delta vendidos por vendedores no autorizados, a menos que la ley lo prohíba, esta garantía no cubre los productos de Delta comprados a vendedores no autorizados.

Los costos de labor incurridos por el comprador para reparar, reemplazar, instalar o desmontar este Producto no están cubiertos por esta garantía. Delta Faucet Company no será responsable por cualquier daño al Producto que resulte del desgaste razonable, depósitos de agua dura o minerales, exposición a materiales corrosivos, uso en exteriores, uso indebido (incluyendo el uso del Producto para una aplicación indebida), accidente, alteración del Producto, abuso negligencia o instalación o mantenimiento inadecuado o incorrecto, incluyendo el no seguir las instrucciones correspondientes para la instalación, el cuidado, la limpieza y el mantenimiento. Delta Faucet Company recomienda utilizar un plomero profesional para toda la instalación y reparación.

**Lo que debe hacer para obtener servicio de garantía o piezas de repuesto.** Se puede hacer un reclamo para la garantía y se puede obtener piezas de repuesto llamando al 1 800 355-2721 o comuníquese con nosotros por escrito (favor incluya el número del modelo y la fecha de compra) al:

**En los Estados Unidos y en México:**  
Delta Faucet Company  
55 E. 111th Street  
Indianapolis, IN 46280  
Atención: Servicio de Garantía  
[www.deltafaucet.com/service-parts/contact-us](http://www.deltafaucet.com/service-parts/contact-us)

**En Canadá:**  
Masco Canada Limited, Groupe plomberie  
Centre de services techniques  
350, chemin South Edgeware  
St. Thomas (Ontario) Canada N5P 4L1  
Atención: Servicio al consumidor  
<http://www.deltafaucet.ca/customersupport/assistance.html>

El comprobante de compra (recibo de venta original) del comprador original debe estar disponible para Delta Faucet Company para todas las reclamaciones de garantía, a menos que el comprador haya registrado el Producto con Delta Faucet Company.

**NO USE CIERTOS PRODUCTOS DE LIMPIEZA.** Ciertos productos de limpieza pueden dañar el acabado del Producto y el uso de los siguientes productos de limpieza anulará esta garantía:

- Limpiadores abrasivos como polvos, lejía, amoníaco, alcohol o cloro
- Almohadillas abrasivas, lana de acero o cepillos de alambre

**La limitación de la duración de las garantías implícitas.** Algunos estados/provincias (incluyendo Quebec) no permiten la limitación de la duración de una garantía implícita por lo que las limitaciones a continuación pueden no aplicarse. HASTA EL ALCANCE EN QUE LA LEY LO PERMITA, CUALQUIER GARANTÍA IMPLÍCITA, INCLUIDAS LAS GARANTÍAS IMPLÍCITAS DE COMERCIABILIDAD Y DE IDONEIDAD PARA UN PROPÓSITO PARTICULAR, ESTÁ LIMITADA AL PERÍODO LEGAL O A LA DURACIÓN DE ESTA GARANTÍA. LO QUE SEA MÁS CORTO.

**Limitación de daños especiales, incidentales o consecuentes.** Se le agradece que tenga en cuenta que algunos estados/provincias (incluyendo Quebec) no permiten la exclusión o la limitación de daños especiales, incidentales o consecuentes, por lo que estas limitaciones y exclusiones a continuación pueden no aplicarse. DELTA FAUCET COMPANY NO SERÁ RESPONSABLE DE NINGUN DAÑO ESPECIAL, INCIDENTAL O CONSECUENTE (INCLUYENDO CARGOS DE MANO DE OBRA PARA REPARAR, REEMPLAZAR, INSTALAR O RETIRAR ESTE PRODUCTO), YA SEA QUE SURJAN DEL INCUMPLIMIENTO DE CUALQUIER GARANTÍA EXPRESA O IMPLÍCITA, INCUMPLIMIENTO, INCUMPLIMIENTO DE CONTRATO, DE LO CONTRARIO, DELTA FAUCET COMPANY NO SERÁ RESPONSABLE DE NINGUN DAÑO AL PRODUCTO RESULTADO DE DESGASTE Y DESGASTE RAZONABLES, AGUA DURA O DEPÓSITOS DE MINERALES, EXPOSICIÓN A MATERIALES CORROSIVOS, USO EN EXTERIORES, USO INDEBIDO (INCLUYENDO EL USO DEL PRODUCTO PARA UNA APLICACIÓN NO DESEADA), ACCIDENTE, ALTERACIÓN DEL PRODUCTO, ABUSO, NEGLIGENCIA O INSTALACIÓN INCORRECTA O INCORRECTA, MANTENIMIENTO O REPARACIÓN, INCLUYENDO EL INCUMPLIMIENTO DE LAS INSTRUCCIONES DE INSTALACIÓN, CUIDADO Y LIMPIEZA APLICABLES.

**Derechos adicionales.** Esta garantía le da derechos legales específicos y también puede tener otros derechos que varían de estado/provincia a estado/provincia.

Esta es la garantía escrita exclusiva de Delta Faucet Company y la garantía no es transferible.

Si tiene alguna pregunta o inquietud con respecto a nuestra garantía, comuníquese con nosotros como se indica arriba o visite nuestro sitio web en [www.deltafaucet.com](http://www.deltafaucet.com).

© 2021 Delta Faucet Company

## DELTA FAUCET COMPANY GARANTIE LIMITÉE DES ÉVIERS DELTA®

**Pièces et finis.** Tous les pièces et les finis des éviers Delta® (« produit ») achetés chez un vendeur Delta autorisé sont protégés contre les défauts de matériel et les vices de fabrication par une garantie qui est consentie au premier acheteur au détail et qui demeure valide tant que celui-ci demeure propriétaire de la maison dans laquelle l'évier a été installé. En ce qui concerne les acheteurs commerciaux, la période de garantie est de cinq (5) ans pour les utilisations résidentielles multifamiliales et d'un (1) an pour toutes les autres utilisations commerciales, à compter de la date d'achat dans chaque Dans le libellé de la présente garantie, on entend par « utilisation résidentielle multifamiliale », un évier acheté chez un vendeur Delta autorisé par un acheteur qui est propriétaire d'un logement résidentiel sans l'habiter et installé la première fois dans ce immeuble. Il peut s'agir d'un immeuble individuel comportant un ou plus d'un logement loué (duplex ou maison en rangée), d'un condominium, d'un immeuble d'habitation ou d'un centre d'intégration communautaire. Les installations décrites ci-après ne sont pas considérées comme des utilisations multifamiliales et elles sont couvertes par la garantie d'un (1) an plutôt que par la garantie de 5 ans. Ce sont les suivantes : éviers installés dans un bâtiment industriel, un bâtiment institutionnel ou un autre immeuble commercial, notamment une résidence d'étudiants, un lieu d'hébergement (hôtel, motel ou lieu de séjour prolongé), un aéroport, un établissement d'enseignement, un établissement de soins de santé à courte ou de longue durée (hôpital, centre de réadaptation, maison de soins infirmiers), un endroit public ou un lieu commun.

**Pièces et finis pour les éviers recertifiés Delta®.** Delta Faucet Company peut offrir en vente sur [deltafaucet.com](http://deltafaucet.com) des éviers recertifiés Delta®. Tous les pièces et les finis de ces éviers recertifiés Delta® sont protégés contre les défauts de matériel et les vices de fabrication par une garantie consentie au premier acheteur au détail qui est d'une durée de dix (10) ans à compter de la date d'achat par le premier acheteur. En ce qui concerne les acheteurs commerciaux, la durée de la garantie est d'un (1) an à compter de la date d'achat par le premier acheteur.

**Ce que nous ferons.** Delta Faucet Company réparera ou remplacera gratuitement, pendant la période de garantie applicable (décrite ci-dessus), tout produit qui présentera un défaut de matériel et/ou un vice de fabrication pour autant que celui-ci ait été installé, utilisé et entretenu normalement. Si n'est pas utile de réparer ou de remplacer le produit, Delta Faucet Company pourra rembourser le prix d'achat en échange du produit retourné. **Il s'agit de vos seuls recours.**

**Ce qui n'est pas couvert.** Étant donné que Delta Faucet Company n'est pas en mesure de contrôler la qualité des produits vendus par des vendeurs non autorisés, la présente garantie ne s'applique pas aux produits Delta vendus par des vendeurs non autorisés, à moins que cette restriction ne soit interdite par la loi.

La présente garantie ne couvre pas les frais de main-d'œuvre encourus par l'acheteur pour la réparation, le remplacement, l'installation ou la dépose de ce produit. Delta Faucet Company se dégage de toute responsabilité à l'égard de toute détérioration du produit résultant d'un usage raisonnable et des dommages causés par l'eau dure ou des dépôts de sels minéraux, une exposition à des substances corrosives, une utilisation à l'extérieur, un mauvais usage (y compris l'utilisation du produit à des fins autres que celles auxquelles il est destiné), un accident, une altération du produit, un usage abusif, la négligence ou l'utilisation d'une méthode d'installation, de maintenance ou de réparation incorrecte ou inadéquate, y compris les dommages résultant du non-respect des instructions d'installation, d'entretien et de nettoyage applicables. Delta Faucet Company vous recommande de confier tous les travaux d'installation et de réparation à un plombier professionnel.

**Ce que vous pouvez faire pour vous prévaloir de la garantie ou obtenir des pièces de rechange.** Vous pouvez présenter une réclamation en vertu de la garantie et obtenir des pièces de rechange en appelant au 1 800 355-2721 ou en communiquant avec nous à l'adresse postale ou à l'adresse de courriel indiquée ci-dessous (n'oubliez pas d'indiquer le numéro de modèle et la date d'achat).

**In the United States and Mexico:**  
Delta Faucet Company  
55 E. 111th Street  
Indianapolis, IN 46280  
Attention: Warranty Service  
[www.deltafaucet.com/service-parts/contact-us](http://www.deltafaucet.com/service-parts/contact-us)

**In Canada:**  
Masco Canada Limited, Plumbing Group  
Technical Service Centre  
350 South Edgeware Road  
St. Thomas, Ontario, Canada N5P 4L1  
Attention: Customer Service  
<http://www.deltafaucet.ca/customersupport/assistance.html>

La preuve d'achat (original du reçu) du premier acheteur doit être présentée à Delta Faucet Company pour toutes les réclamations en vertu de la garantie, sauf si le produit a été enregistré auprès de Delta Faucet Company.

**N'UTILISEZ PAS CERTAINS NETTOYANTS.** Certains nettoyants peuvent abîmer le fini du produit et la garantie ne s'applique pas si les articles de nettoyage énumérés ci-après ont été utilisés.

- Poudres abrasives et nettoyants corrosifs, notamment eau de javel, ammoniac, alcool ou chlorure
- Tampons abrasifs, laine d'acier ou brosses à poils métalliques

**Limitation de la durée des garanties implicites.** Veuillez noter que dans les États ou les provinces (y compris le Québec) où il est interdit de limiter la durée d'une garantie implicite, les limites mentionnées ci-dessous peuvent ne pas s'appliquer. DANS LA MESURE DE CE QUI EST PERMIS PAR LA LOI, TOUTES LES GARANTIES IMPLICITES, Y COMPRIS LES GARANTIES IMPLICITES DE QUALITÉ MARCHANDE ET D'ADÉQUATION À UN USAGE PARTICULIER, SE LIMITENT À LA PÉRIODE FIXÉE PAR LA LOI OU À LA DURÉE DE LA PRESENTE GARANTIE. LA PLUS COURTE DES DEUX PÉRIODES S'APPLIQUANT.

**Limitation des dommages particuliers, consécutifs ou indirects.** Veuillez noter que dans les États ou les provinces (y compris le Québec) où il est interdit d'exclure ou de limiter les dommages particuliers, consécutifs ou indirects, les exclusions et les limites mentionnées ci-dessous peuvent ne pas s'appliquer. DELTA FAUCET COMPANY SE DÉGAGE DE TOUTE RESPONSABILITÉ À L'ÉGARD DES DOMMAGES PARTICULIERS, CONSÉCUTIFS OU INDIRECTS (Y COMPRIS LES FRAIS DE MAIN-D'ŒUVRE POUR LA RÉPARATION, LE REMPLACEMENT, L'INSTALLATION OU LA DÉPOSE DU PRODUIT), PEU IMPORTÉ Outils DÉCOUPLÉ D'UNE RUPTURE D'UNE GARANTIE IMPLICITE OU EXPLICITE, D'UNE RUPTURE DE CONTRAT, D'UN DÉLIT CIVIL OU D'UNE AUTRE CAUSE. DELTA FAUCET COMPANY SE DÉGAGE DE TOUTE RESPONSABILITÉ À L'ÉGARD DE TOUTE DÉTÉRIORATION DU PRODUIT RESULTANT D'UNE USURE SUBSTANCIELLE ET DES DOMMAGES CAUSÉS PAR DE L'EAU DURE OU DES DÉPÔTS DE SELS MINÉRAUX, UNE EXPOSITION À DES SUBSTANCES CORROSIVES, UNE UTILISATION À L'EXTÉRIEUR, UN MAUVAIS USAGE (Y COMPRIS L'UTILISATION DU PRODUIT À DES FINS AUTRES QUE CELLES AUXQUELLES IL EST DESTINÉ), UN ACCIDENT, UNE ALTÉRATION DU PRODUIT, UN USAGE ABUSIF, LA NÉGLIGENCE OU L'UTILISATION D'UNE MÉTHODE D'INSTALLATION, DE MAINTENANCE OU DE RÉPARATION INCORRECTE OU INADÉQUATE, Y COMPRIS LES DOMMAGES RESULTANT DU NON-RESPECT DES INSTRUCTIONS D'INSTALLATION, D'ENTRETIEN ET DE NETTOYAGE APPLICABLES.

**Droits supplémentaires.** La présente garantie vous procure des droits précis reconnus par la loi. Vous pouvez avoir d'autres droits qui varient selon l'État ou la province.

La présente garantie écrite est la seule garantie offerte par Delta Faucet Company et elle n'est pas transférable.

Si vous avez des questions ou des préoccupations concernant notre garantie, veuillez communiquer avec nous de la manière indiquée ci-dessus ou visiter notre site Web à l'adresse [www.deltafaucet.com](http://www.deltafaucet.com).

© 2021 Delta Faucet Company

## LIMITED WARRANTY ON DELTA® ACCESSORY PRODUCTS

Delta® Accessories are warranted to the original consumer purchaser or commercial purchaser, as applicable, to be free from defects in material and workmanship for the applicable period specified below.

**Parts and Finish of Delta Accessories (excluding Sink Accessories).** All parts and finishes (other than electronic parts and batteries) of Delta Accessories, other than sink accessories, purchased from authorized Delta sellers are warranted to the original consumer purchaser to be free from defects in material and workmanship for as long as the original consumer purchaser owns the home in which the accessory was first installed. For commercial purchasers, (a) the warranty period is ten (10) years for multi-family residential applications and (b) five (5) years for all other commercial applications, in each case from the date of original purchase. For purposes of this warranty, the term "multi-family residential application" refers to the purchase of the accessory from an authorized Delta seller by a purchaser who owns but does not live in the residential dwelling in which the accessory is initially installed, such as in a rented or leased single unit or multi-unit detached home (duplex or townhome), or a condominium, apartment building or community living center. The following installations are not considered multi-family residential applications, are excluded from the 10-year warranty and are subject to the five-year warranty: industrial, institutional or other business premises, such as a dormitory, hospitality premises (hotel, motel or extended stay hotel), airport, educational facility, long- or short-term healthcare facility (hospital, rehabilitation center, nursing, assisted or staged-care living unit), public space or common area.

**Parts and Finish of Delta Sink Accessories.** All parts and finishes of Delta Sink Accessories purchased from authorized Delta sellers are warranted to the original purchaser to be free from defects in material and workmanship for one (1) year from the date of purchase.

**Parts and Finish for Delta Recertified Accessories.** Delta Faucet Company offers for sale on deltafaucet.com Delta Recertified Accessories. All parts (other than electronic parts and batteries) and finishes of these Delta Recertified Accessories, (other than Sink Accessories) are warranted to the original consumer purchaser to be free from defects in material and workmanship for ten (10) years from the date of original purchase. For commercial purchasers, the warranty period is one (1) year from the date of original purchase. Delta Recertified Sink Accessories are warranted to the original purchaser to be free from defects in material and workmanship for one (1) year from the date of purchase.

**Electronic Parts.** Electronic parts (other than batteries), if any, of Delta Accessories purchased from deltafaucet.com or authorized Delta sellers are warranted to the original consumer purchaser to be free from defects in material and workmanship for two (2) years from the date of original purchase or, for commercial purchasers, for one (1) year from the date of original purchase. No warranty is provided on batteries.

**What We Will Do.** Delta Faucet Company will repair or replace, free of charge, during the applicable warranty period (as described above), any part or finish that proves defective in material and/or workmanship under normal installation, use and service. If repair or replacement is not practical, Delta Faucet Company may elect to refund the purchase price in exchange for the return of the product. These are your **exclusive remedies**.

**What Is Not Covered.** Because Delta Faucet Company is unable to control the quality of Delta products sold by unauthorized sellers, unless otherwise prohibited by law, this warranty does not cover Delta products purchased from unauthorized sellers. Any labor charges incurred by the purchaser to repair, replace, install or reprogram Delta products not covered by this warranty. Delta Faucet Company will not be responsible for any damage to the product resulting from reasonable wear and tear, outdoor use, misuse (including use of the product for an unintended application), abuse, neglect or improper or incorrectly performed installation, maintenance or repair, including failure to follow the applicable installation, care and cleaning instructions. We also recommend that you use only genuine Delta® replacement parts.

**What You Must Do To Obtain Warranty Service or Replacement Parts.** A warranty claim may be made and replacement parts may be obtained by calling 1 800 355-2721 or by contacting us by mail or online as follows (please include your model number and date of original purchase):

### In the United States and Mexico:

Delta Faucet Company  
55 E. 11th Street  
Indianapolis, IN 46280  
Attention: Warranty Service  
www.deltafaucet.com/service-parts/contact-us

### In Canada:

Masco Canada Limited, Plumbing Group  
Technical Services Centre  
350 South Edgeware Road  
St. Thomas, Ontario, Canada N5P 4L1  
Attention: Customer Service  
http://www.deltafaucet.ca/customersupport/assistance.html

Proof of purchase (original sales receipt) from the original purchaser must be made available to Delta Faucet Company for all warranty claims unless the purchaser has registered the product with Delta Faucet Company or the product is a Delta Recertified product purchased from deltafaucet.com. This warranty applies only to Delta accessories manufactured after January 1, 2019 and installed in the United States of America, Canada and Mexico.

**Limitation on Duration of Implied Warranties.** Please note that some states/provinces (including Quebec) do not allow limitations on how long an implied warranty lasts, so the below limitations may not apply to you. TO THE MAXIMUM EXTENT PERMITTED BY APPLICABLE LAW, ANY IMPLIED WARRANTY, INCLUDING THE IMPLIED WARRANTIES OF MERCHANTABILITY AND OF FITNESS FOR A PARTICULAR PURPOSE, IS LIMITED TO THE STATUTORY PERIOD OR THE DURATION OF THIS WARRANTY, WHICHEVER IS SHORTER.

**Limitation of Special, Incidental or Consequential Damages.** Please note that some states/provinces (including Quebec) do not allow the exclusion or limitation of special, incidental or consequential damages, so the below limitations and exclusions may not apply to you. TO THE MAXIMUM EXTENT PERMITTED BY APPLICABLE LAW, THIS WARRANTY DOES NOT COVER, AND DELTA FAUCET COMPANY SHALL NOT BE LIABLE FOR, ANY SPECIAL, INCIDENTAL OR CONSEQUENTIAL DAMAGES (INCLUDING LABOR CHARGES TO REPAIR, REPLACE, INSTALL OR REMOVE THIS PRODUCT), WHETHER ARISING OUT OF BREACH OF ANY EXPRESS OR IMPLIED WARRANTY, BREACH OF CONTRACT, TORT, OR OTHERWISE. DELTA FAUCET COMPANY SHALL NOT BE LIABLE FOR ANY DAMAGE TO THE ACCESSORY RESULTING FROM REASONABLE WEAR AND TEAR, OUTDOOR USE, MISUSE (INCLUDING USE OF THE PRODUCT FOR AN UNINTENDED APPLICATION), ABUSE, NEGLECT OR IMPROPER OR INCORRECTLY PERFORMED INSTALLATION, MAINTENANCE OR REPAIR, INCLUDING FAILURE TO FOLLOW THE APPLICABLE INSTALLATION, CARE AND CLEANING INSTRUCTIONS. Notice to residents of the State of New Jersey: The provisions of this warranty, including its limitations, are intended to apply to the fullest extent permitted by the laws of the State of New Jersey.

**Additional Rights.** This warranty gives you specific legal rights, and you may also have other rights which vary from state/province to state/province.

This is Delta Faucet Company's exclusive written warranty and the warranty is not transferable.

If you have any questions or concerns regarding our warranty, please contact us as provided above or view our Warranty FAQs at [www.deltafaucet.com](http://www.deltafaucet.com).

© 2021 Delta Faucet Company

## GARANTÍA LIMITADA DE LOS PRODUCTOS ACCESORIOS DELTA®

Los accesorios Delta® Accesorios están garantizados al consumidor o comerciante comprador original, según corresponda, de estar libres de defectos en material y fabricación durante el tiempo aplicable como se determina a continuación:

**Piezas y acabados (excluidos los accesorios del lavamanos).** Todas las partes y acabados (excepto las partes electrónicas y las pilas) de los accesorios Delta, que no sean del fregadero/lavamanos, comprados a vendedores autorizados de Delta están garantizados al comprador consumidor original de estar libres de defectos en materiales y fabricación durante el tiempo que el comprador consumidor original sea el propietario del hogar en la que el accesorio se instaló por primera vez. En el caso de los compradores comerciales, (a) el período de garantía es de diez (10) años para aplicaciones en residencias multi-familiares y cinco (5) años para (b) todos los otros usos comerciales, en cada caso, a partir de la fecha de compra. A los fines de esta garantía, el término "aplicación residencial multifamiliar" se refiere a la compra del accesorio a un vendedor autorizado de Delta por un comprador que es propietario, pero no vive en la vivienda residencial en la que se instaló inicialmente el accesorio, como en una unidad individual alquilada o arrendada o en una casa independiente de unidades múltiples (duplex o casa adosada), o en un condominio, edificio de apartamentos o centro de vivienda comunitaria. Las siguientes instalaciones no se consideran aplicaciones residenciales multifamiliares, están excluidas de la garantía de 10 años y están sujetas a la garantía de cinco años: locales industriales, institucionales u otros locales comerciales, como dormitorios, locales de hospitalidad (hotel, motel o habitación de estancias prolongadas), aeropuerto, centro educativo, centro de atención médica a largo o corto plazo (hospital, centro de rehabilitación, hogar para ancianos, unidad de vivienda asistida o por etapas), espacio público o área común.

**Piezas y acabados para accesorios recertificados Delta.** Todas las piezas y los acabados de estos accesorios recertificados para fregaderos/lavamanos de Delta están garantizados al comprador consumidor original de estar libres de defectos de material y fabricación durante un (1) año a partir de la fecha de compra.

**Piezas y acabados para accesorios recertificados Delta.** Delta Faucet Company ofrece a la venta en deltafaucet.com Delta Accesorios Recertificados. Todas las piezas (excepto las partes electrónicas y las pilas) y los acabados de estos accesorios recertificados de Delta, (que no sean del fregadero/lavamanos) están garantizados al comprador consumidor original de estar libres de defectos de material y fabricación durante diez (10) años a partir de la fecha de compra original. En el caso de los compradores comerciales, el período de garantía es de un (1) año a partir de la fecha de compra original. Los accesorios para fregaderos recertificados de Delta están garantizados al comprador original contra defectos de materiales y fabricación durante un (1) año a partir de la fecha de compra.

**Piezas electrónicas.** Las piezas electrónicas (que no sean pilas), si las hay, de accesorios Delta adquiridos en deltafaucet.com o a vendedores autorizados de Delta tienen una garantía para el comprador consumidor original de estar libres de defectos en materiales y mano de obra durante dos (2) años a partir de la fecha de la compra original o en caso de los compradores comerciales, durante un (1) año a partir de la fecha de compra original. No se ofrece garantía para las pilas.

**Lo que hacemos.** La compañía Delta Faucet Company reparará o reemplazará, sin costo alguno, durante el período de garantía aplicable (como descrito arriba) cualquier pieza o acabado que demuestre estar defectuosa en material y/o fabricación bajo la instalación, el uso y el servicio normal. Si la reparación o el reemplazo no es práctico, Delta Faucet Company puede optar por reembolsarle el precio de compra a cambio de la devolución del producto. Estos son sus remedios exclusivos.

**Lo que no está cubierto.** Debido a que Delta Faucet Company no puede controlar la calidad de los productos Delta vendidos por vendedores no autorizados, a menos que la ley lo prohíba, esta garantía no cubre los productos Delta comprados a vendedores no autorizados.

La garantía no cubre cualquier costo incurrido por el comprador para reparar, reemplazar, instalar o desmontar este producto. Delta Faucet Company no será responsable por cualquier daño al producto que resulte del desgaste razonable, usos en exteriores, uso indebido, (incluyendo el uso del producto para una aplicación indebida), abuso, negligencia o la instalación, el mantenimiento o la reparación realizada inapropiadamente o incorrectamente, incluido el incumplimiento de las instrucciones correspondientes para la instalación, el cuidado y la limpieza. También recomendamos que use solo piezas de repuestos genuinos de Delta®.

**Lo que usted debe hacer para obtener servicio de garantía o piezas de repuesto.** Se puede hacer un reclamo para la garantía y se pueden obtener piezas de repuesto llamando al 1 800 355-2721 o escribiéndonos por correo o en línea como sigue (favor incluir el número del modelo y la fecha de compra):

### En los Estados Unidos y en México:

Delta Faucet Company  
55 E. 11th Street  
Indianapolis, IN 46280  
Atención: Servicio de Garantía  
www.deltafaucet.com/service-parts/contact-us

### En Canadá:

Masco Canada Limited, Groupe plomberie  
Centre de services techniques  
350, chemin South Edgeware  
St. Thomas (Ontario) Canada N5P 4L1  
Atención: Servicio al consumidor  
http://www.deltafaucet.ca/customersupport/assistance.html

El comprobante de compra (recibo de venta original) del comprador original debe hacerse disponible a Delta Faucet Company para todos los reclamos de garantía a menos que el comprador haya registrado el producto con Delta Faucet Company, o el producto recertificado Delta fue comprado de deltafaucet.com. Esta garantía se aplica solo a los accesorios de Delta Faucet Company fabricados después de 1 de enero de 2019 e instalados en los Estados Unidos de América, Canadá, y México.

**Limitación de la duración de las garantías implícitas.** Tenga en cuenta que algunos estados/provincias (incluido Quebec) no permiten limitaciones sobre la duración de una garantía implícita, por lo que las limitaciones a continuación pueden no aplicarse en su caso. EN LA MEDIDA MÁXIMA PERMITIDA POR LA LEY APPLICABLE, CUALQUIER GARANTÍA IMPLÍCITA, INCLUIDAS LAS GARANTÍAS IMPLÍCITAS DE COMERCIABILIDAD Y DE IDONEIDAD PARA UN PROPÓSITO EN PARTICULAR, SE LIMITA AL PERÍODO ESTADUTARIO O A LA DURACIÓN DE ESTA GARANTÍA, CUAL SEA LO MÁS CORTO.

**Limitación de daños especiales, incidentales o consecutivos.** Favor tome nota que algunos estados/provincias (incluyendo Quebec) no permiten la exclusión o limitación de daños especiales, incidentales o consecutivos por lo que las limitaciones y exclusiones a continuación pueden no aplicarse. EN LA MEDIDA MÁXIMA PERMITIDA POR LA LEY APPLICABLE, ESTA GARANTÍA NO CUBRE, Y DELTA FAUCET COMPANY NO SERÁ RESPONSABLE DE DAÑOS ESPECIALES, INCIDENTALES O CONSECUENTES (INCLUIDOS LOS CARGOS LABORALES PARA REPARAR, REEMPLAZAR, INSTALAR O DESMONTAR ESTE PRODUCTO), YA SEA RESULTADO DEL INCUMPLIMIENTO DE CUALQUIER GARANTÍA EXPRESA O IMPLÍCITA, INCUMPLIMIENTO DE CONTRATO, AGRAVADO DE CUALQUIER OTRA MANERA, DELTA FAUCET COMPANY NO SE RESPONSABILIZARÁ POR CUALQUIER DAÑO AL ACCESORIO QUE RESULTE DEL DESGASTE RAZONABLE, USO EN EL EXTERIOR, USO INDEBIDO (INCLUYENDO EL USO DEL PRODUCTO PARA UNA APLICACIÓN INDEBIDA), ABUSO, NEGLIGENCIA O INSTALACIÓN O MANTENIMIENTO O REPARACIÓN INADECUADA O INCORRECTA, INCLUYENDO EL NO SEGUIR LAS INSTRUCCIONES CORRESPONDIENTES PARA EL CUIDADO, LA LIMPIEZA Y EL MANTENIMIENTO. Aviso para los residentes del estado de New Jersey: Las disposiciones de este documento, incluyendo sus limitaciones, tienen la intención de aplicarse en la máxima medida permitida por las leyes del estado de New Jersey.

**Derechos adicionales.** Esta garantía le otorga derechos legales específicos y también puede tener otros derechos que varían de estado/provincia a estado/provincia.

Esta es la garantía escrita exclusiva de Delta Faucet Company y la garantía no es transferible.

Si tiene preguntas o dudas con respecto a nuestra garantía, por favor comuníquese con nosotros como se indica anteriormente o consulte nuestras Respuestas a Preguntas Frecuentes en la página web [www.deltafaucet.com](http://www.deltafaucet.com).

© 2021 Delta Faucet Company

## GARANTIE LIMITÉE DES ACCESSOIRES DELTA®

Les accessoires Delta® sont protégés contre les défauts du matériel et les vices de fabrication par une garantie qui est consentie au premier acheteur au détail ou acheteur commercial. La durée de la garantie est précisée ci-après.

**Pièces et finis des accessoires Delta (sauf les accessoires d'évier).** Tous les pièces (autres que les composants électroniques et les piles) et les finis des accessoires Delta®, sauf les accessoires d'évier, achetés chez des vendeurs Delta autorisés sont protégés contre les défauts du matériel et les vices de fabrication par une garantie qui est consentie au premier acheteur au détail ou acheteur commercial, à condition que le produit soit installé par le propriétaire de la maison dans laquelle l'accessoire a été installé. En ce qui concerne les acheteurs commerciaux, la période de garantie est de dix (10) ans pour les applications résidentielles multifamiliales et de cinq (5) ans pour toutes les autres applications commerciales, à compter de la date d'achat dans chaque cas. Dans le libellé de la présente garantie, on entend par « application résidentielle multifamiliale », un accessoire acheté chez un vendeur Delta autorisé par un acheteur qui est propriétaire d'un logement résidentiel sans l'habiter et installé la première fois dans cet immeuble. Il peut s'agir d'un immeuble individuel comportant un ou plus d'un logement loué (duplex ou maison en rangée), d'un condominium, d'un immeuble d'habitation ou d'un centre d'entretien communautaire. Les installations décrites ci-après ne sont pas considérées comme des applications multifamiliales et elles sont couvertes par la garantie de cinq ans plutôt que par la garantie de 10 ans. Ce sont les suivantes: accessoires installés dans un bâtiment industriel, un bâtiment institutionnel ou un autre immeuble commercial, notamment une résidence d'étudiants, un lieu d'hébergement (hôtel, motel ou lieu de séjour prolongé), un aéroport, un établissement d'enseignement, un établissement de soins de santé de courte ou de longue durée (hôpital, centre de réadaptation, maison de soins infirmiers), un endroit public ou un lieu commun.

**Pièces et finis des accessoires d'évier Delta.** Tous les pièces et les finis des accessoires d'évier Delta achetés de vendeurs Delta autorisés sont protégés contre les défauts du matériel et les vices de fabrication par une garantie consentie au premier acheteur qui est d'un (1) an à compter de la date d'achat.

**Pièces et finis pour les accessoires recertifiés Delta®.** Delta Faucet Company offre en vente sur deltafaucet.com des accessoires recertifiés Delta®. Tous les pièces (autres que les composants électroniques et les piles) et les finis de ces accessoires recertifiés Delta® (sauf les accessoires d'évier) sont protégés contre les défauts du matériel et les vices de fabrication par une garantie consentie au premier acheteur au détail qui est d'une durée de dix (10) ans à compter de la date d'achat par ledit acheteur. En ce qui concerne les acheteurs commerciaux, la durée de la garantie est d'un (1) an à compter de la date d'achat par le premier acheteur. Les accessoires d'évier recertifiés Delta sont protégés contre les défauts du matériel et les vices de fabrication par une garantie consentie au premier acheteur qui est d'une durée d'un (1) an à compter de la date d'achat.

**Composants électroniques.** Les composants électroniques (autres que les piles) des accessoires Delta® qui ont été achetés chez des vendeurs Delta autorisés sont protégés contre les défauts du matériel et les vices de fabrication par une garantie consentie au premier acheteur au détail qui est de deux (2) ans à compter de la date d'achat. En ce qui concerne les acheteurs commerciaux, la période de garantie est d'un (1) an à compter de la date d'achat. Les piles ne sont pas couvertes par la garantie.

**Ce que nous ferons.** Delta Faucet Company réparera ou remplacera gratuitement, pendant la période de garantie applicable (décrite ci-dessus), toute pièce ou tout fini qui présentera une défectuosité de matériel et/ou un vice de fabrication pour autant que le produit ait été installé, utilisé et entretenu normalement. Si il n'est pas utile de réparer ou de remplacer le produit, Delta Faucet Company pourra rembourser le prix d'achat en échange du produit retourné. Il s'agit de vos seuls recours.

**Ce qui n'est pas couvert.** Étant donné que Delta Faucet Company n'est pas en mesure de contrôler la qualité des produits vendus par des vendeurs non autorisés, la présente garantie ne s'applique pas aux produits Delta vendus par des vendeurs non autorisés, à moins que cette restriction ne soit interdite par la loi.

La présente garantie ne couvre pas les frais de main-d'oeuvre encourus par l'acheteur pour la réparation, le remplacement, l'installation ou la dépose de ce produit. Delta Faucet Company se dégage de toute responsabilité à l'égard de toute détérioration du produit résultant d'une utilisation raisonnable et des dommages causés par une utilisation à l'extérieur, un mauvais usage (y compris l'utilisation du produit à des fins autres que celles auxquelles il est destiné) ou l'utilisation d'une méthode de réparation ou d'entretien non recommandée ou inadéquate, y compris les dommages résultant du non-respect des instructions d'installation, de nettoyage et d'entretien applicables. Nous vous recommandons également d'utiliser uniquement des pièces de remplacement Delta® authentiques.

**Ce que vous pouvez faire pour avoir privilège de la garantie ou obtenir des pièces de rechange.** Vous pouvez présenter une réclamation en vertu de la garantie et obtenir des pièces de rechange en appelant au 1 800 355-2721 ou en communiquant avec nous à l'une des adresses postales ou des adresses de courriel indiquées ci-dessous (n'oubliez pas d'indiquer le numéro de modèle et la date d'achat).

### Aux États-Unis et au Mexique

Delta Faucet Company  
55 E. 11th Street  
Indianapolis, IN 46280  
Attention: Warranty Service  
www.deltafaucet.com/service-parts/contact-us

### Au Canada:

Masco Canada Limited, Groupe plomberie  
Centre de services techniques  
350, chemin South Edgeware  
St. Thomas (Ontario) Canada N5P 4L1  
À l'attention du Service à la clientèle  
http://www.deltafaucet.ca/customersupport/assistance.html

La preuve d'achat (original du reçu) du premier acheteur doit être présentée à Delta Faucet Company pour toutes les réclamations en vertu de la garantie, sauf si le produit a été enregistré auprès de Delta Faucet Company ou si il s'agit d'un produit recertifié Delta® qui a été acheté de deltafaucet.com. La présente garantie s'applique uniquement aux accessoires Delta® fabriqués après le 1er janvier 2019 et installés aux États-Unis d'Amérique, au Canada et au Mexique.

**Limitation de la durée des garanties implicites.** Veuillez noter que dans les États ou les provinces (y compris le Québec) où il est interdit de limiter la durée d'une garantie implicite, les limites mentionnées ci-dessous peuvent ne pas s'appliquer. DANS TOUTE LA MESURE DE CE QUI EST PERMIS PAR LA LOI APPLICABLE, TOUTES LES GARANTIES IMPLÍCITES, Y COMPRIS LES GARANTIES IMPLÍCITES DE QUALITÉ MARCHANDE ET D'ADÉQUATION À UN USAGE PARTICULIER, SE LIMITENT À LA PÉRIODE FIXÉE PAR LA LOI OU À LA DURÉE DE LA PRÉSENTE GARANTIE, LA PLUS COURTE DES DEUX PÉRIODES S'APPLIQUANT.

**Limitation des dommages particuliers, consécutifs ou indirects.** Veuillez noter que dans les États ou les provinces (y compris le Québec) où il est interdit d'exclure ou de limiter les dommages particuliers, consécutifs ou indirects, les exclusions et les limites mentionnées ci-dessous peuvent ne pas s'appliquer. DANS TOUTE LA MESURE DE CE QUI EST PERMIS PAR LA LOI APPLICABLE, DELTA FAUCET COMPANY SE DÉGAGE DE TOUTE RESPONSABILITÉ À L'ÉGARD DES DOMMAGES PARTICULIERS, CONSÉQUENTS OU INDIRECTS (Y COMPRIS LES FRAIS DE MAIN-D'ŒUVRE POUR LA RÉPARATION, LE REMPLACEMENT, L'INSTALLATION OU LA DÉPOSE DU PRODUIT), PEU IMPORTÉ QU'ILS DÉCOULENT D'UNE RUPTURE D'UNE GARANTIE IMPLÍCITE OU EXPLÍCITE, D'UNE RUPTURE DE CONTRAT, D'UN DÉLIT CIVIL OU D'UNE AUTRE CAUSE. DELTA FAUCET COMPANY SE DÉGAGE DE TOUTE RESPONSABILITÉ À L'ÉGARD DE TOUTE DÉTÉRIORATION DE L'ACCESSOIRE RÉSULTANT D'UNE USURE RAISONNABLE ET DES DOMMAGES CAUSÉS PAR UNE UTILISATION À L'EXTÉRIEUR, UN MAUVAIS USAGE (Y COMPRIS L'UTILISATION DU PRODUIT À DES FINS AUTRES QUE CELLES AUXQUELLES IL EST DESTINÉ), UN USAGE ABUSIF, LA NEGLIGENCE OU L'UTILISATION D'UNE MÉTHODE D'INSTALLATION, DE MAINTENANCE OU DE RÉPARATION INCORRECTE OU INADÉQUATE, Y COMPRIS LES DOMMAGES RÉSULTANT DU NON-RESPECT DES INSTRUCTIONS D'INSTALLATION, D'ENTRETIEN ET DE NETTOYAGE APPLICABLES, ET CES DOMMAGES NE SONT PAS COUVERTS PAR LA GARANTIE. Avis à l'intention des résidents de l'État du New Jersey : Les dispositions de la présente garantie, y compris ses limitations, s'appliquent dans toute la mesure permise par les lois de l'État du New Jersey.

**Droits supplémentaires.** La présente garantie vous procure des droits précis reconnus par la loi. Vous pouvez avoir d'autres droits qui varient selon l'État ou la province.

La présente garantie écrite est la seule garantie offerte par Delta Faucet Company et elle n'est pas transférables.

Si vous avez des questions ou des préoccupations concernant notre garantie, veuillez communiquer avec nous de la manière indiquée ci-dessus ou consulter notre FAQ sur la garantie à [www.deltafaucet.com](http://www.deltafaucet.com).

© 2021 Delta Faucet Company

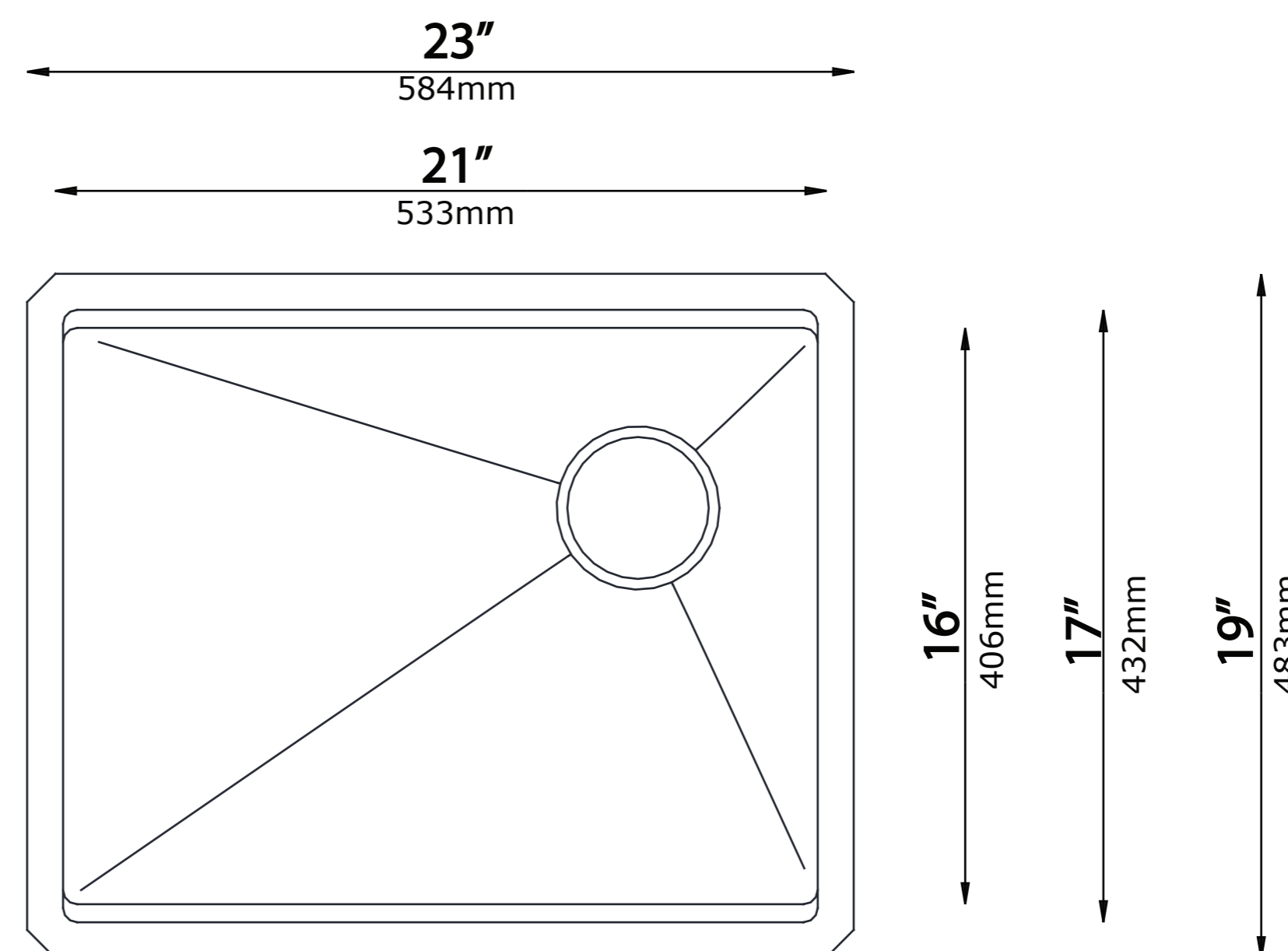


see what Delta can do<sup>SM</sup>

**Model No.**  
**95B9132-23S-SS**

**Undermount Cut-out**

**Pro Hotline: 516.801.8955**  
**Customer Service: 1-800-345-3358**



**NOTE:** Cutout template is provided as a guide **ONLY** and must be checked against actual sink to verify correct fit.

Please tear perforated edge for zero / flushed reveal

Please use outer edge for positive reveal 3/8"

RP:SRP030077





**see what Delta can do™**

**STAINLESS STEEL KITCHEN STRAINER**

**CRÉPINE DE CUISINE EN ACIER INOXYDABLE**

**COLADOR DE COCINA DE ACERO INOXIDABLE**

**ADU25-SS, ADU25-GS**

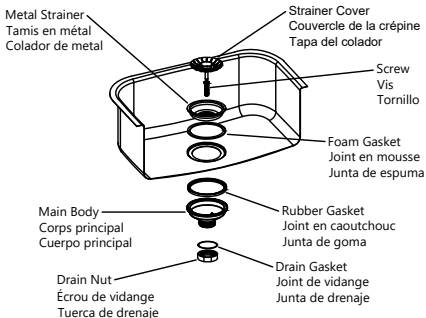
**1****DISASSEMBLE STRAINER  
DÉMONTAGE DE LA CRÉPINE  
COLADOR DESMONTABLE**

Disassemble strainer

Démonter la crépine

Desmontar el colador

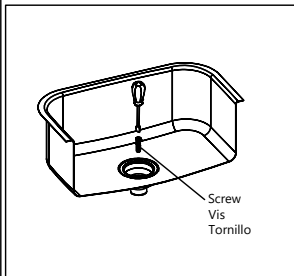


**2****INSTALL STRAINER  
INSTALLER LA CRÉPINE  
INSTALAR FILTRO**

Insert metal strainer into drain hole with foam gasket attached. Install rubber gasket and main body underneath the sink.

Insérez la crépine métallique dans le trou de vidange avec le joint en mousse attaché. Installer du caoutchouc joint et corps principal sous l'évier.

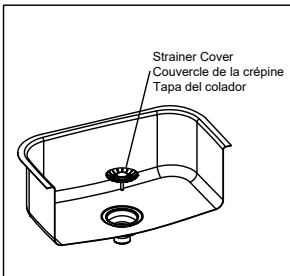
Inserte el colador de metal en el orificio de drenaje con la junta de espuma colocada. Instalar caucho Junta y cuerpo principal debajo del fregadero.

**3****TIGHTEN SCREW  
SERRER LA VIS  
APRIETE EL TORNILLO**

Using the screw, tighten the metal strainer and main body into place.

À l'aide de la vis, serrez la crépine métallique et le corps principal en place.

Con el tornillo, apriete el colador de metal y el cuerpo principal en su lugar.

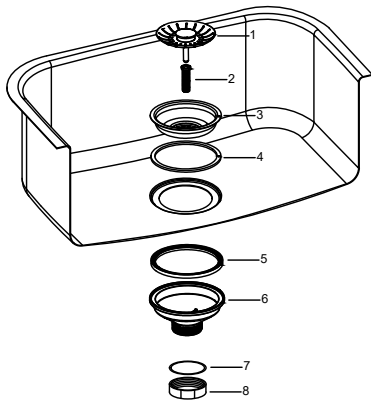
**4****INSERT STRAINER COVER  
INSÉRER LE COUVERCLE DE CRÉPINE  
INSERTE LA TAPA DEL FILTRO**

Insert strainer cover to seal water.

Insérez le couvercle de la crépine pour sceller l'eau.

Inserte la tapa del colador para sellar el agua.

**REPLACEMENT PARTS LIST / LISTE DES PIÈCES DE RECHANGE / LISTA DE PIEZAS DE REPUESTO**



- |  |           |
|--|-----------|
| 1. Strainer Cover / Couvercle de la crépine / Tapa del colador | SRP330000 |
| 2. Screw 1 5/8" / Vis 1 5/8" / Tornillo 1 5/8"                 | SRP330001 |
| 3. Metal Strainer / Tamis en métal / Colador de metal          | SRP330002 |
| 4. Foam Gasket / Joint en mousse / Junta de espuma             | SRP330003 |
| 5. Rubber Gasket / Joint en caoutchouc / Junta de goma         | SRP330004 |
| 6. Main Body / Corps principal / Cuerpo principal              | SRP330005 |
| 7. Drain Gasket / Joint de vidange / Junta de drenaje          | SRP330006 |
| 8. Drain Nut / Écrou de vidange / Tuerca de drenaje            | SRP330007 |



