

### Material

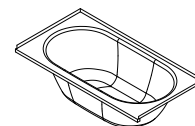
- Glazed titanium steel

### Features

- ANTIGLISS included
- Integrated tile flanges

### Compatible drain fittings

- Geberit offset, ABS 151.604.21.1
- Geberit offset, PP 150.183.00.1
- Mountain Plumbing offset, brass BDR20SBR45/FFF (cable drive)
- Mountain Plumbing offset, brass BDWUNV22/FFF (toe touch)
- OS&B direct, brass 307DQ-25FFF (clicker)
- OS&B offset, brass 314Q13-20FFF (clicker)
- OS&B offset, PVC 5100QK-FFF (clicker)



### Variant no

### Color

### Tile flange

- |                                    |                |   |
|------------------------------------|----------------|---|
| <input type="checkbox"/> 2432-0002 | C1 white gloss | TF00 no tile flange                       |
| <input type="checkbox"/> 2432-0003 | C1 white gloss | TF01 Tile flange on 3 sides, drain center |



### Colors

- C058 White matte
- C\_\_ Color class D



↗ color list

### Options

- CE1 CLEANEFFECT
- HS1 Handle SAFE
- TF\_\_ Tile flange

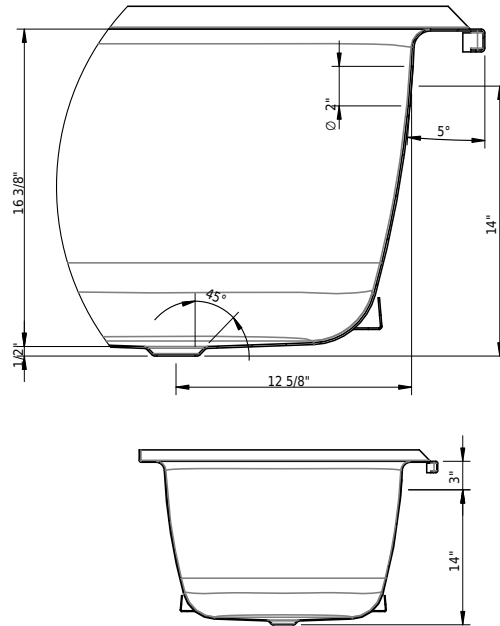
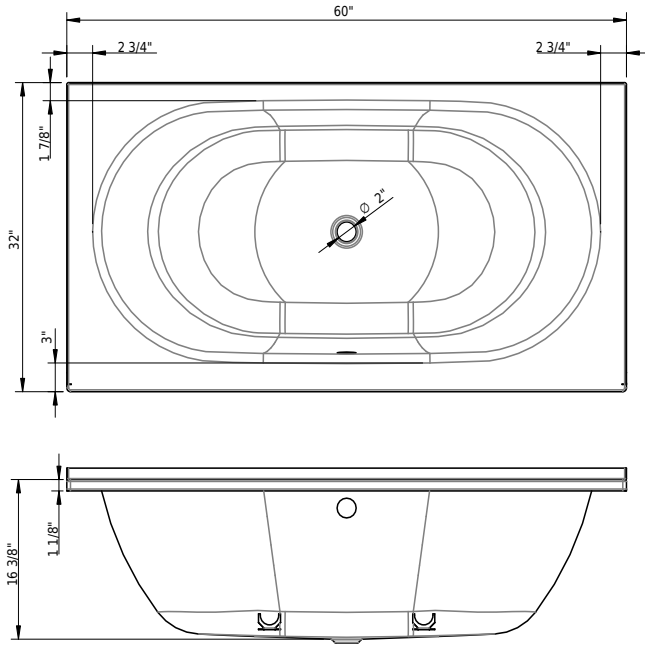
### Accessories

- 109547 Schmidlin ELEMENT, magnetic candle holder
- 101187 Schmidlin RELAX bathtub pillow, black, 1 piece
- 1610-0005 60" apron (glazed titanium steel) for installation Above Floor Rough in alcove only, C001
- 1610-0001 60" apron (glazed titanium steel) for installation in alcove only, C001
- 1610-0004 60" apron (glazed titanium steel) for installation in alcove only, C003
- 1610-0003 60" apron (glazed titanium steel) for installation in alcove only, C058
- 1610-0002 60" apron (glazed titanium steel) for installation in alcove only, C062
- 117005 Schmidlin 2-corner tape-flange, 155" (4m)
- 109810 Schmidlin adjustable installation feet (4 pieces)
- 109809 Schmidlin magnetic installation brackets for apron (2 pieces)
- 101196 Schmidlin mounting angle for tile flange (SIA 181), 4 pieces

12/22/2022 Subject to technical changes.

□ 111020

Set of 60" apron, 4 adjustable feet, 2 magnetic brackets for Norm Classic 60", C001



**Technical Information**

Weight without water	99 lbs
Water depth to overflow	12 1/4"
Max. water capacity to overflow	58 gal
Drain opening	2"
Overflow hole diameter	2"



➤ Installation Instructions

**Notes**

- Bath faucet not included
- Refer to installation instructions
- We recommend the use of Schmidlin adjustable installation feet

**Standards / Codes**

- This product complies with
- ASME A112.19.1 / CSA B45.2
- ASTM F462
- ADA



**Important:** Dimensions of fixtures are nominal and may vary within the range tolerances established by ANSI standard A112.19.4. These measurements are subject to change or cancellation. No responsibility is assumed for use of superseded or voided leaflet.

Meets the americans with disabilities act guidelines and ANSI A117.1 requirements for accessibility and usability - check local code. Install with seat at head end.

12/22/2022 Subject to technical changes.