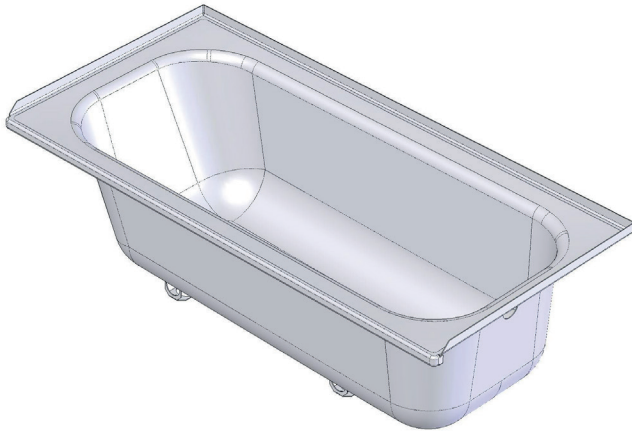
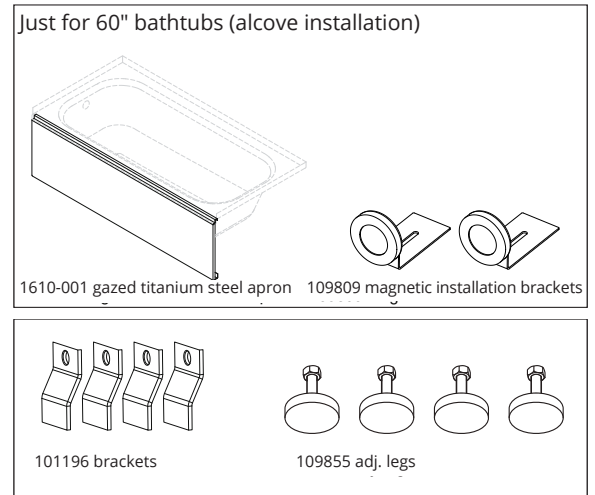


## Schmidlin Bathtub installation (with or without optional magnetic apron)

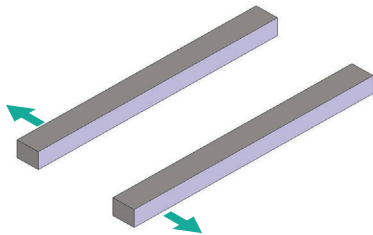
parts of delivery



optional installation parts

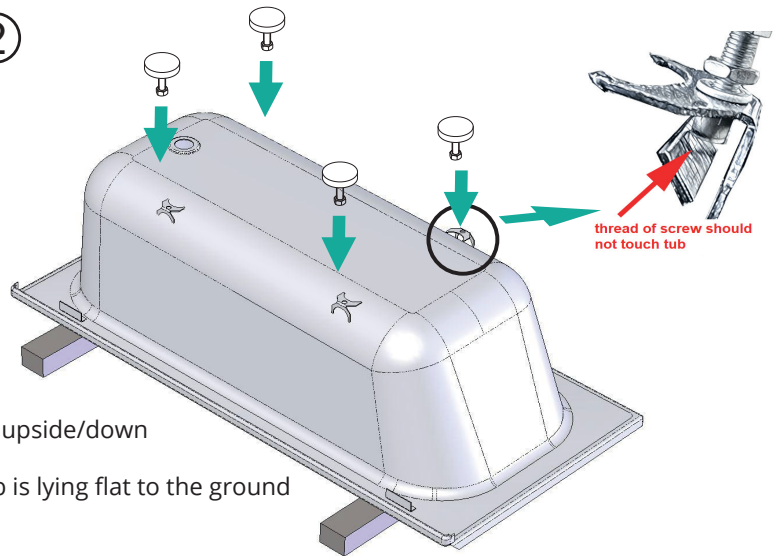


①



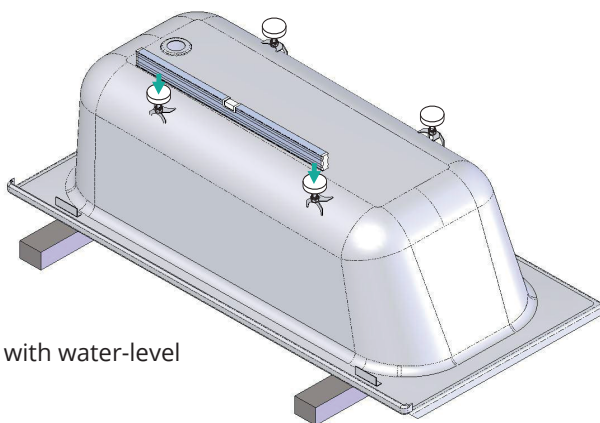
Prepare installation area

②



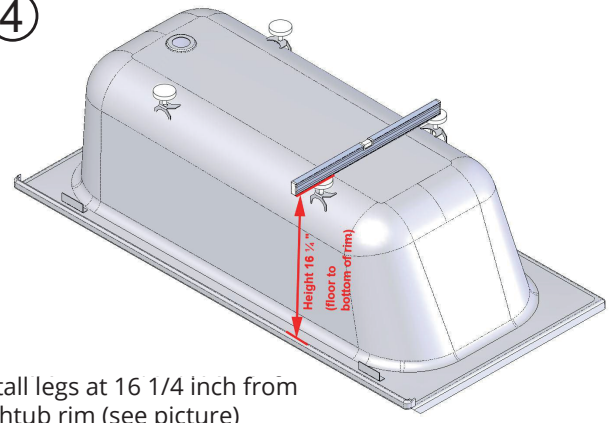
Turn bathtub upside/down  
Install 4 legs  
Make sure tub is lying flat to the ground

③



Adjust legs with water-level

④

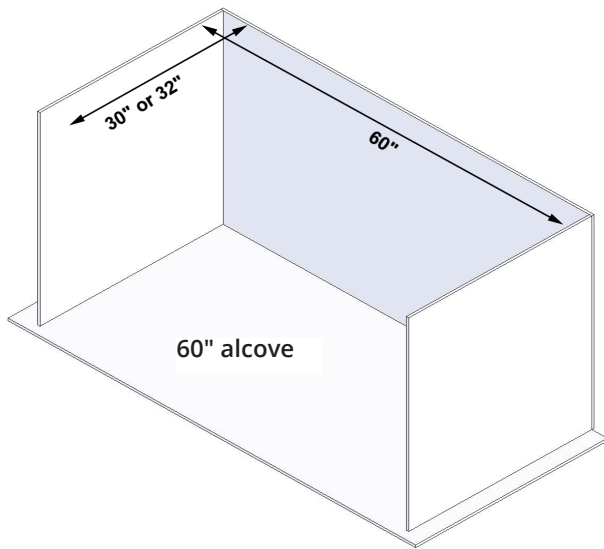


Install legs at 16 1/4 inch from bathtub rim (see picture)

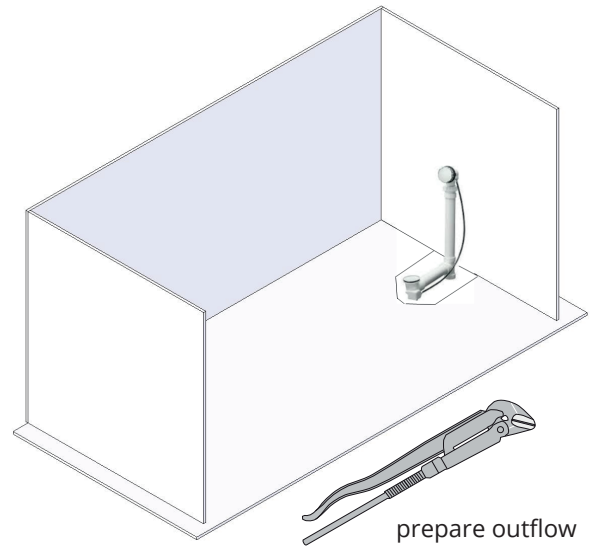
Subject to changes. Products may differ from illustrats

# Schmidlin Bathtub installation kit Assembly

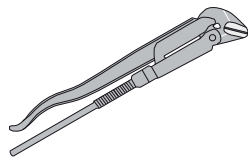
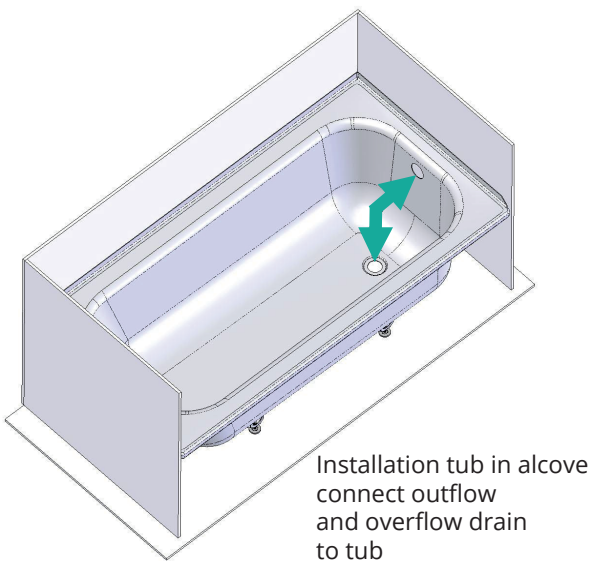
⑤



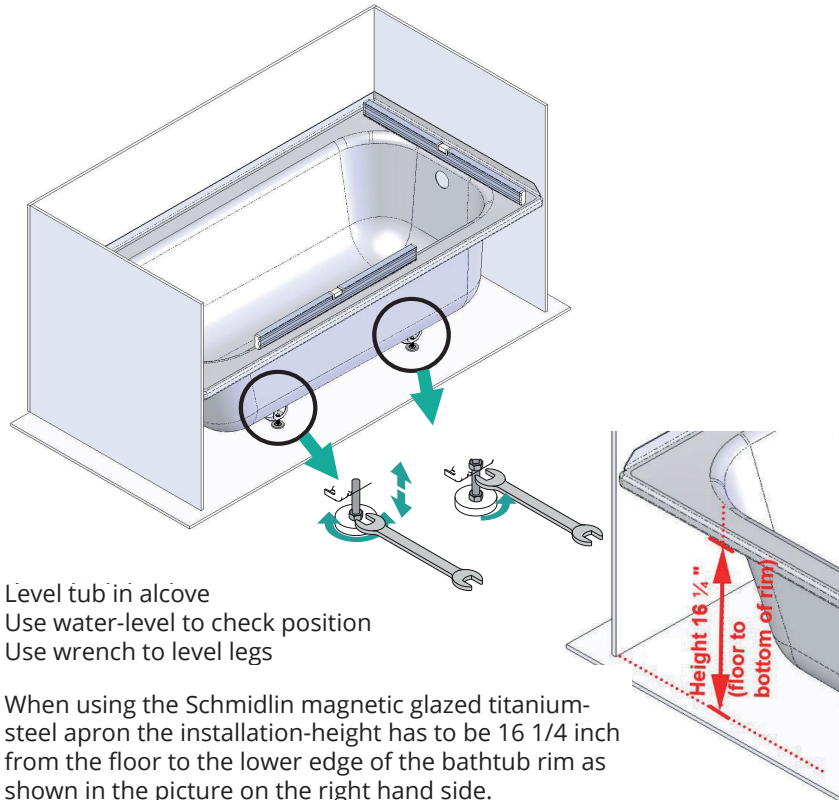
⑥



⑦



⑧

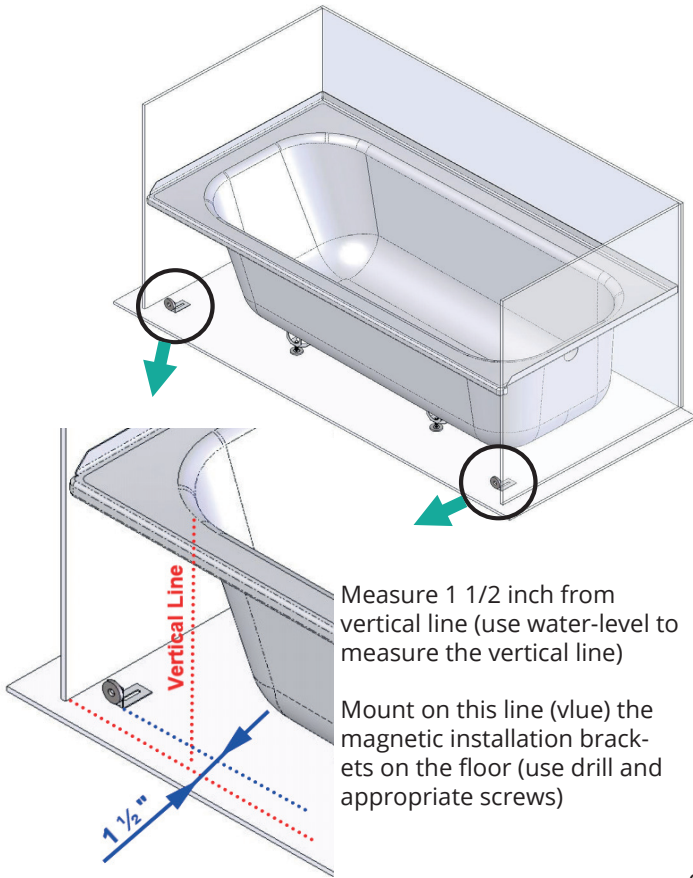


Subject to changes. Products may differ from illustrats

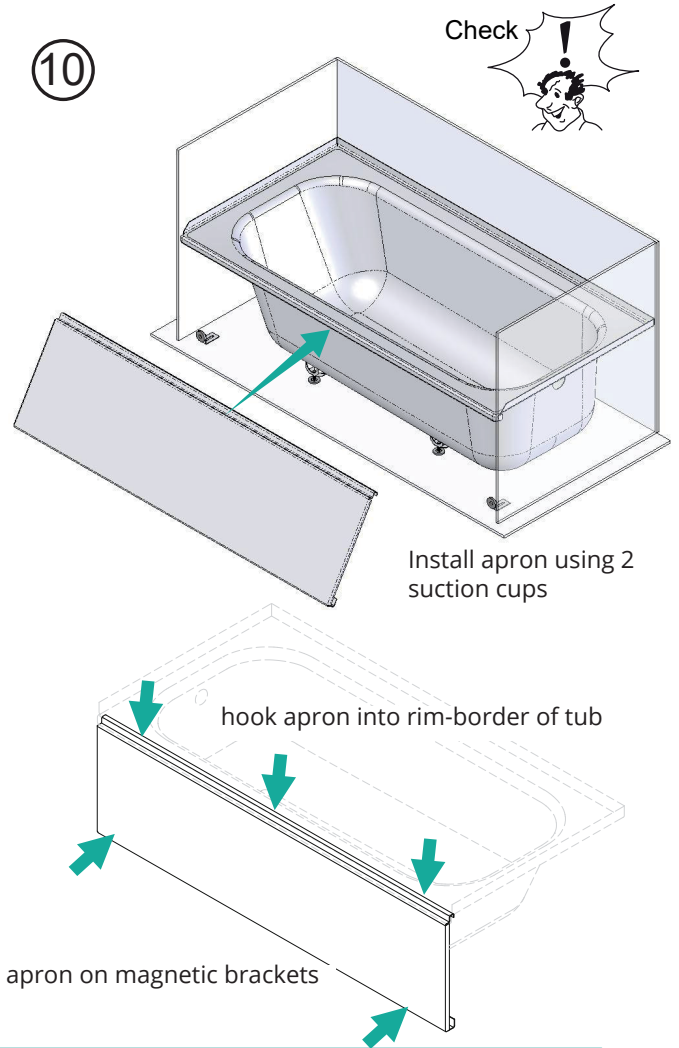
## Schmidlin Bathtub installation kit Assembly

Steps 9 and 10 are only applicable when installing the tub using the optional glazed titaniumsteel apron

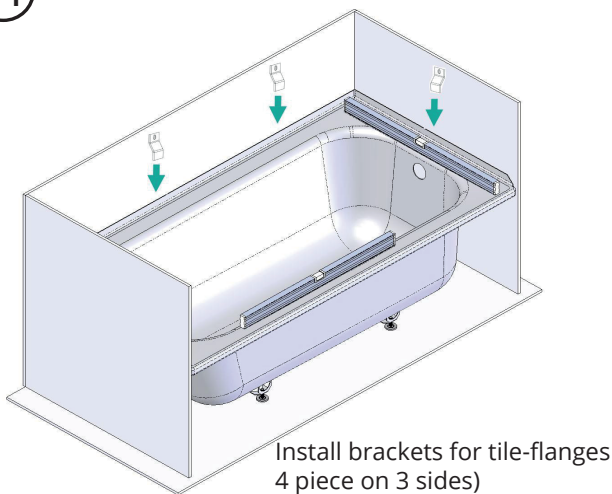
⑨



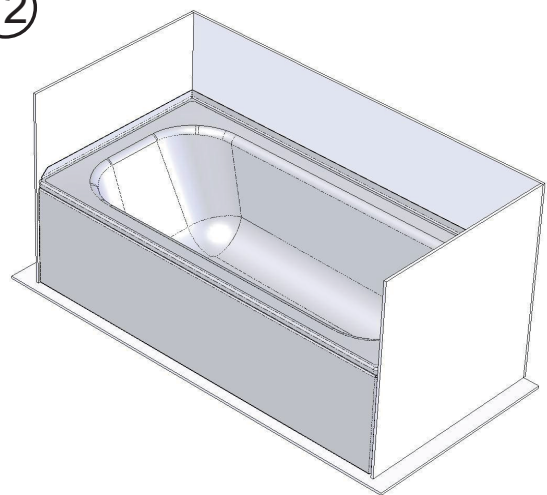
⑩



⑪



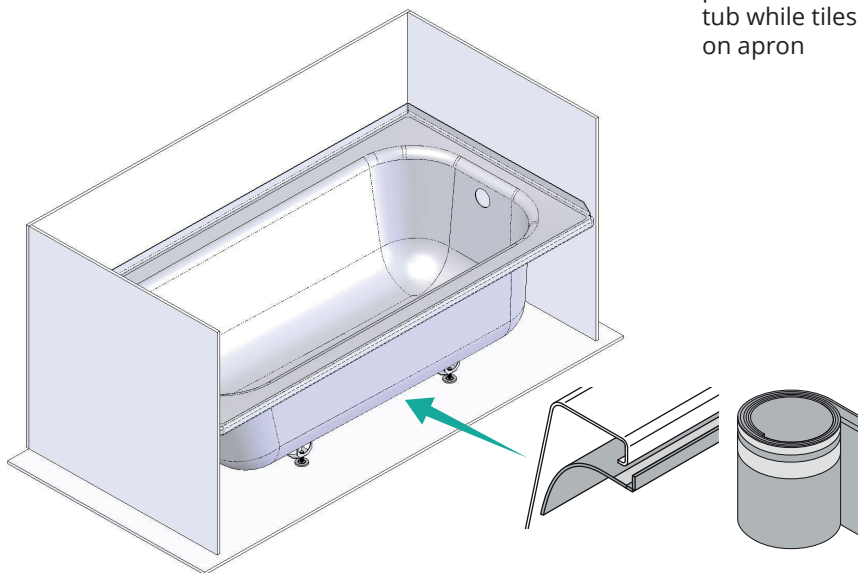
⑫



13

Optional:  
Schmidlin Facing tape

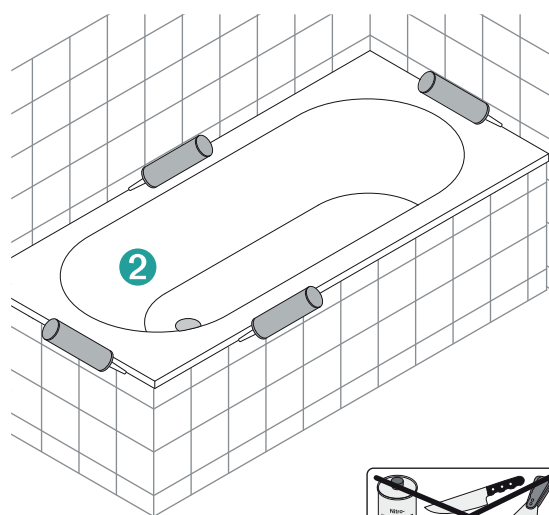
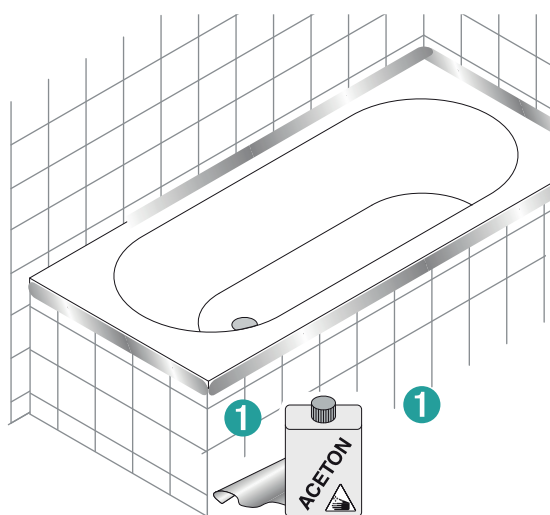
Optional facing tape  
protects the boarder of the  
tub while tiles are installed  
on apron



14

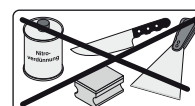
clean all surfaces prior to sealing step

seal tub using silicone



3

clean



Subject to changes. Products may differ from illustrats

01/2018