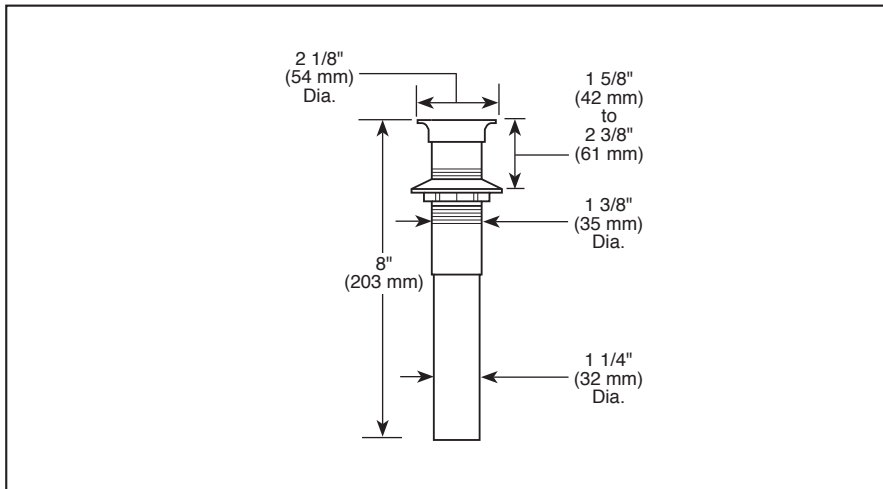


RP47648▲

Submitted Model No.: _____

Specific Features: _____



▲ Designate Proper Finish Suffix



GRID STRAINER ASSEMBLY

- For Vessel Sink Applications Less Overflow Holes

STANDARD SPECIFICATIONS:

- For vessel sink applications less overflow holes.

WARRANTY

- Lifetime limited warranty on parts (other than electronic parts and batteries) and finishes: or, for commercial users, for 5 years from date of purchase.
- 5 year limited warranty on electronic parts (other than batteries); or, for commercial users, for 1 year from the date of purchase. No warranty is provided on batteries.

COMPLIES WITH:

- ASME A112.18.2 / CSA B125.2

