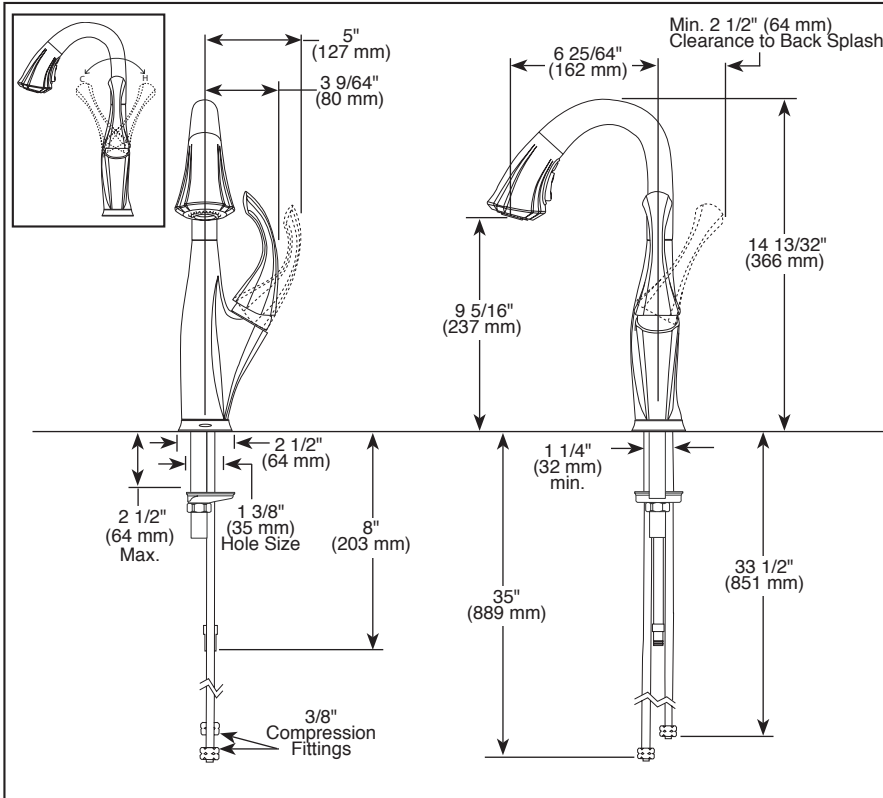


Submitted Model No.: \_\_\_\_\_

Specific Features: \_\_\_\_\_



## BAR/PREP FAUCETS

- Addison™ Collection
- Single Handle Pull-Down

### FEATURES:

- Touch<sub>2</sub>O® Technology
- DIAMOND Seal® Technology
- MagnaTite® Magnetic Docking
- Touch-Clean® Sprayhead
- 2-Function Pull-Down w/Multi-Flow™


### STANDARD SPECIFICATIONS:

- Max flow rate of 1.5 gpm @ 60 PSI (5.7 L/min @ 414 kPa) in spray and standard aerated mode
- Max flow rate of 2.2 gpm @ 60 PSI (8.3 L/min @ 414 kPa) in aerated mode using Multi-Flow™ feature
- One hole mount
- Diamond coated ceramic cartridge
- 3/8" O.D. straight, staggered PEX supply lines
- Spout rotates 360°
- Red/blue indicator markings
- Two function wand; Aerated stream or spray
- Dual integral check valves in sprayer
- LED indicator light signals on-off, water temperature and when batteries run low
- Uses 6 AA (included) or 6 C (optional) batteries
- Optional (EP73954) 120V AC adapter available (3 prong grounded outlet required)
- Quick Snap® connect hoses

### WARRANTY

- Lifetime limited warranty on parts (other than electronic parts and batteries) and finishes; or, for commercial users, for 5 years from date of purchase.
- 5 year limited warranty on electronic parts (other than batteries); or, for commercial users, for 1 year from the date of purchase. No warranty is provided on batteries.

### COMPLIES WITH:

- ASME A112.18.1 / CSA B125.1
- ASME A112.18.6
-  Indicates compliance to ICC/ANSI A117.1
- Verified compliant with .25% weighted average Pb content regulations.



Delta reserves the right (1) to make changes in specifications and materials, and (2) to change or discontinue models, both without notice or obligation. Dimensions are for reference only. See current full-line price book or [www.deltafaucet.com](http://www.deltafaucet.com) for finish options and product availability.

DSP-K-9992T-DST Rev. C

55 E. 111th Street, Indianapolis, Indiana 46280  
350 South Edgeware Road, St. Thomas, ON N5P 4L1  
© 2015 Masco Corporation of Indiana