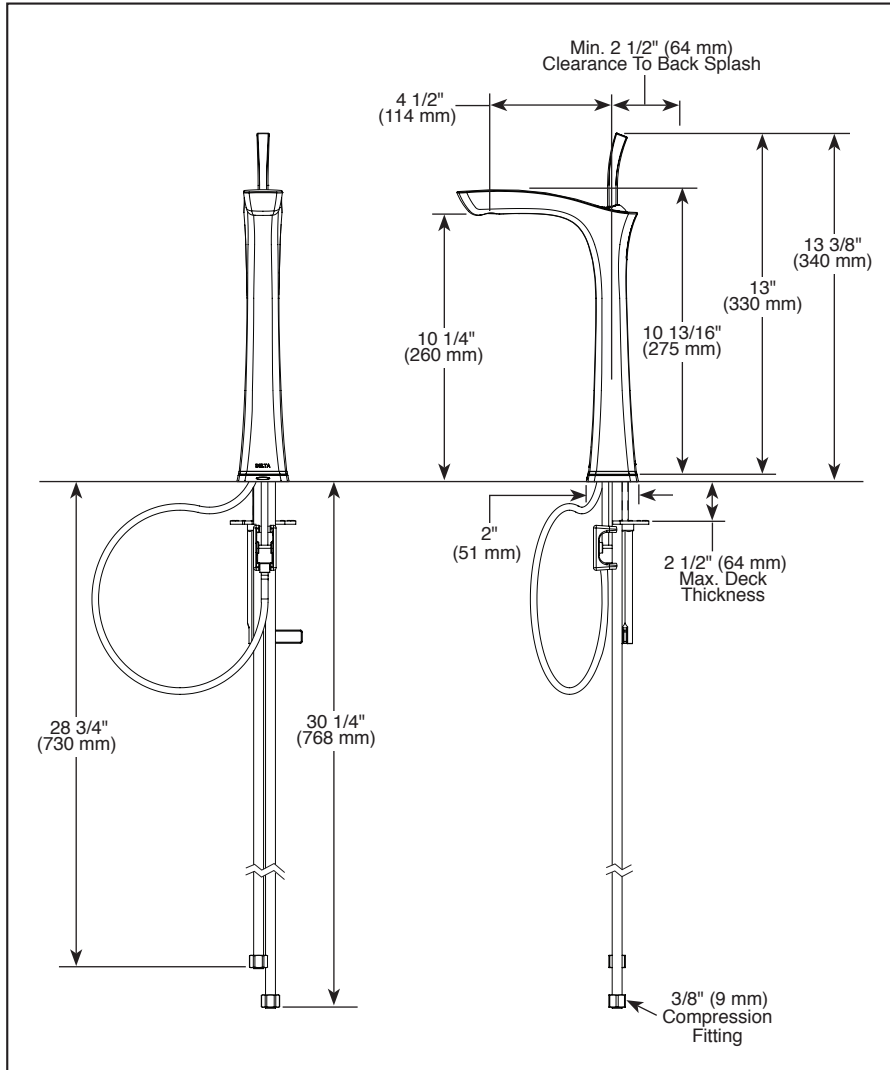


752TLF▲



Submitted Model No.: \_\_\_\_\_

Specific Features: \_\_\_\_\_



▲ Designate Proper Finish Suffix



## LAVATORY FAUCETS

- Tesla™ Bath Collection
- Single Handle Deck Mount Vessel

### FEATURES:

- Touch<sub>2</sub>O<sub>.xt</sub>® Technology

### STANDARD SPECIFICATIONS:

- Maximum 1.20 gpm @ 60 psi, 4.54 L/min @ 414 kPa
- Single hole mount.
- Diamond coated ceramic cartridge
- 3/8" O.D. straight, staggered PEX supply tubes
- Handle rotates 22°
- Red/blue indicator markings
- Models include polypropylene pop-up
- 1 1/8" minimum - 1 1/2" maximum hole size
- Delta Touch<sub>2</sub>O<sub>.xt</sub>™ Technology offers both touch and proximity sensing technology to control water flow
- Blue light flashes for proximity activation and solid blue for touch activation
- On-Off indicator light signals red when batteries are low
- Uses 6 AA (included) or 6 C (optional) batteries
- Optional (EP73954) 120V AC adapter available (3 prong grounded outlet required)
- Drain sold separately

### WARRANTY

- Lifetime limited warranty on parts (other than electronic parts and batteries) and finishes: or, for commercial users, for 5 years from date of purchase.
- 5 year limited warranty on electronic parts (other than batteries); or, for commercial users, for 1 year from the date of purchase. No warranty is provided on batteries.



### COMPLIES WITH:

- ASME A112.18.1 / CSA B125.1



Indicates compliance to ICC/ANSI A117.

- Verified compliant with .25% weighted average wetted Pb content regulations.
- EPA WaterSense®

