



LAVATORY FAUCETS

- Ara® Bath Collection
- Single Handle Deck Mount

STANDARD SPECIFICATIONS:

- Max. 1.20 gpm @ 60 psi, 4.54 L/min @ 414 kPa
- GPM indicates max. 1.00 gpm @ 60 psi, 3.80 L/min @ 414 kPa
- HGM indicates max. 0.50 gpm @ 60 psi, 1.90 L/min @ 414 kPa
- One or three hole mount (escutcheon optional, included)
- Ceramic cartridge
- 3/8" O.D. straight, staggered PEX supply lines
- Red/blue indicator markings
- Models with suffix "MPU" have metal drain with pop-up type fitting with plated flange and stopper
- Models with suffix "LPU" are less pop-up
- Models with suffix "TP" have 50/50 pop-up type fitting with plated flange and stopper
- Solid brass fabricated spout

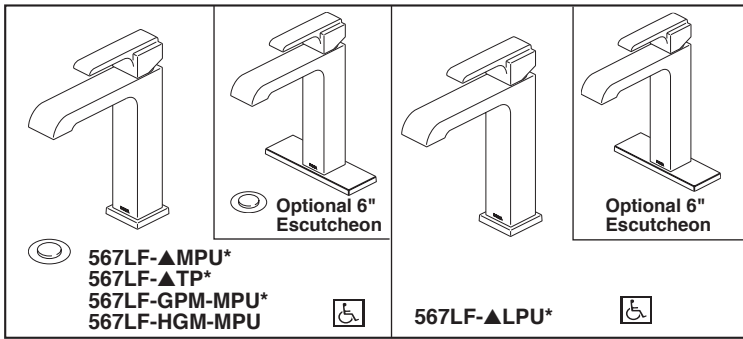
WARRANTY

- Lifetime limited warranty on parts (other than electronic parts and batteries) and finishes: or, for commercial users, for 5 years from date of purchase.
- 5 year limited warranty on electronic parts (other than batteries); or, for commercial users, for 1 year from the date of purchase. No warranty is provided on batteries.



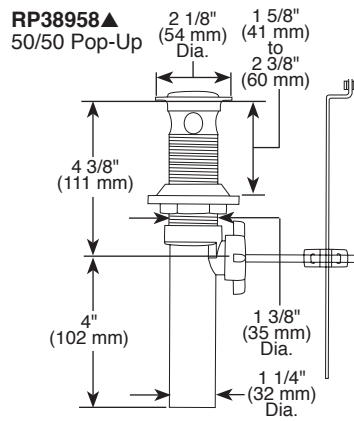
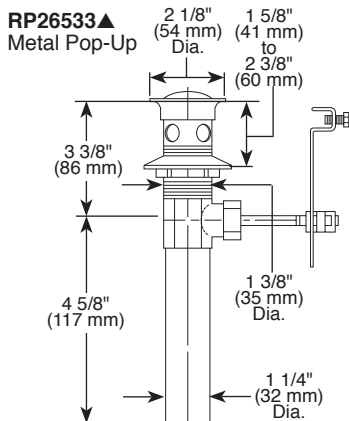
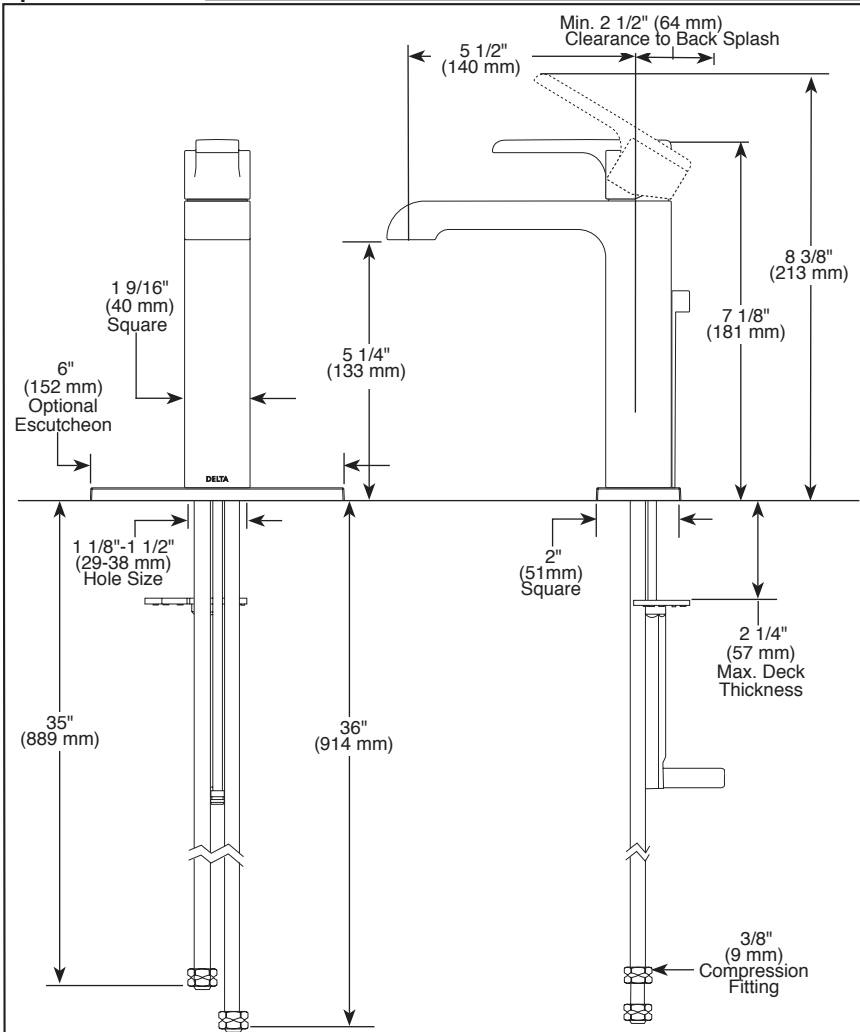
COMPLIES WITH:

- ASME A112.18.1 / CSA B125.1
- ASME A112.18.2 / CSA B125.2
- Indicates compliance to ICC/ANSI A117.1
- ★ EPA WaterSense®
- Verified compliant with .25% weighted average Pb content regulations.



Submitted Model No.:

Specific Features:



▲ Designate Proper Finish Suffix

Delta reserves the right (1) to make changes in specifications and materials, and (2) to change or discontinue models, both without notice or obligation. Dimensions are for reference only. See current full-line price book or www.deltafaucet.com for finish options and product availability.



55 E. 111th Street, Indianapolis, Indiana 46280
350 South Edgeware Road, St. Thomas, ON N5P 4L1
© 2016 Masco Corporation of Indiana