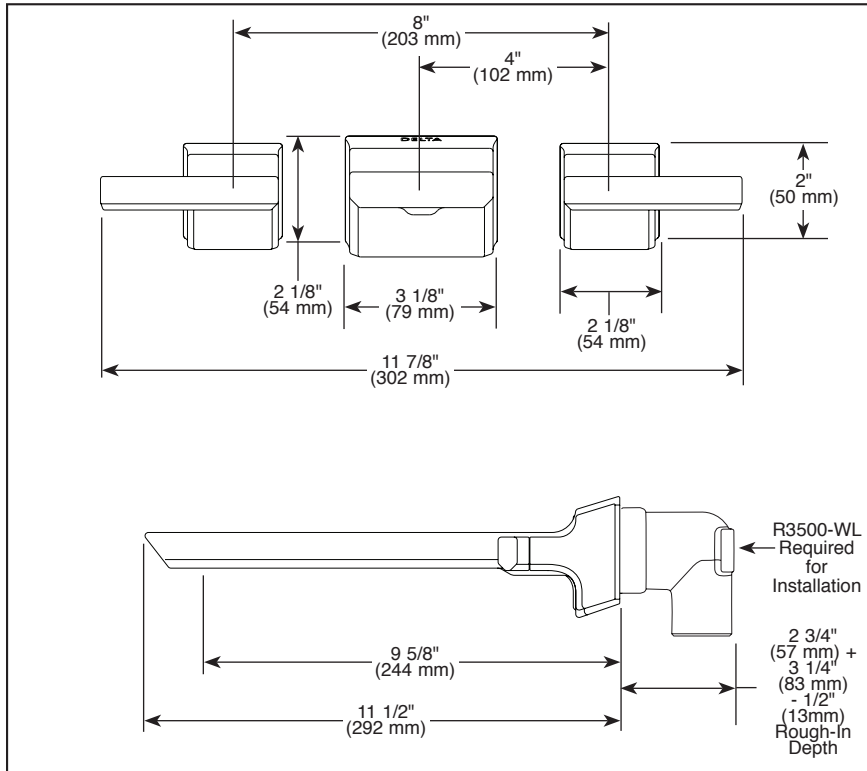


T5799-▲WL



Submitted Model No.: _____

Specific Features: _____



▲ Designate proper finish suffix



see what Delta can do™

WALL MOUNT TUB FILLER

■ Pivotal™ Bath Collection

STANDARD SPECIFICATIONS:

- Three hole wall mount
- Solid brass fabricated body
- 1/4 turn stops
- Accommodates wall thicknesses from 1/8" to 3 3/4"
- Cartridges ship with rough
- 1/2"-14 NPT threaded female inlets
- Rough-In R3500-WL required for installation

WARRANTY

- Lifetime limited warranty on parts (other than electronic parts and batteries) and finishes: or, for commercial users, for 5 years from date of purchase.
- 5 year limited warranty on electronic parts (other than batteries); or, for commercial users, for 1 year from the date of purchase. No warranty is provided on batteries.

COMPLIES WITH:

- ASME A112.18.1 / CSA B125.1
- Indicates compliance to ICC/ANSI A117.1
- Verified compliant with .25% weighted average Pb content regulations.