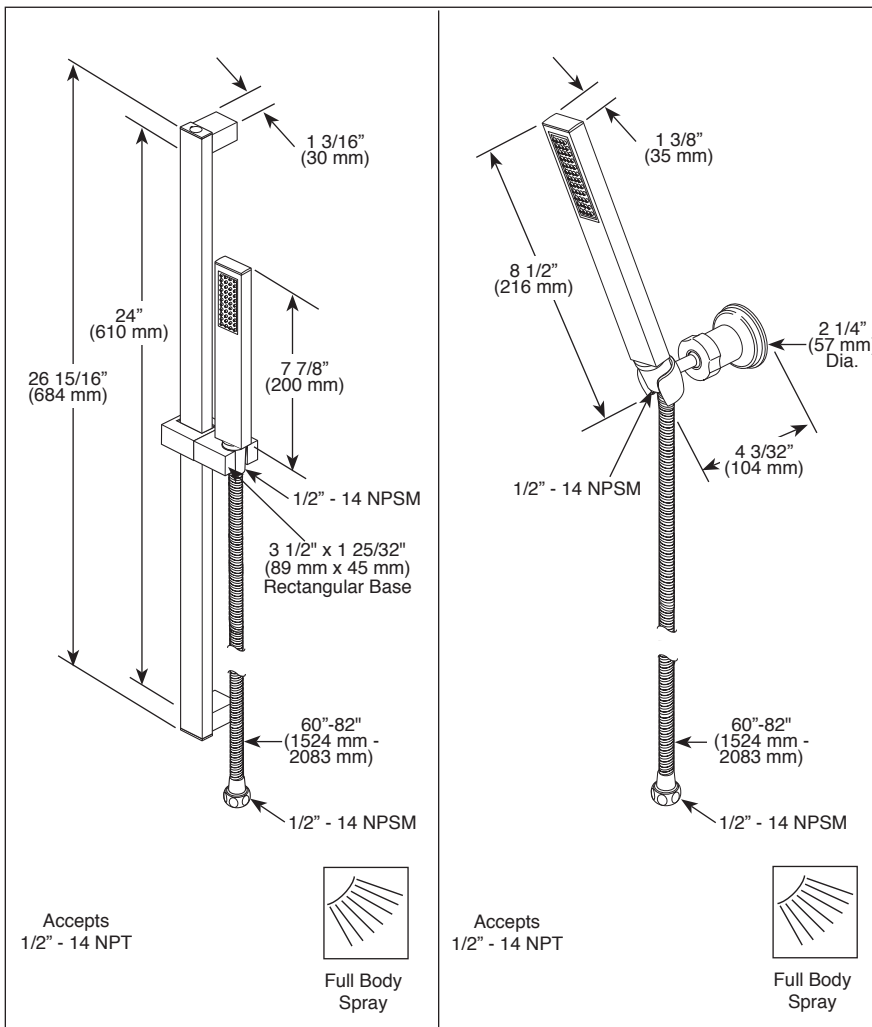


55530▲

57530▲

Submitted Model No.: _____

Specific Features: _____



Accepts
1/2" - 14 NPT



Full Body
Spray

Accepts
1/2" - 14 NPT



Full Body
Spray



PERSONAL HAND HELD SHOWERS

- Vero® Bath Collection
- Hand Shower with Full Spray Pattern and Touch Clean Nubs

STANDARD SPECIFICATIONS:

- Max. 2.00 gpm @ 80 psi, 7.60 L/min @ 550 kPa
- 60"-82" (1524 mm - 2083 mm) stretchable metal hose
- Certified dual check valves for backflow protection
- 24" (610 mm) wall bar with adjustable slide (allows for adjustable shower height) - 57530 only. Not to be used as a Grab Bar. Not ADA compliant
- Wall mount bracket - 55530 only

WARRANTY

- Lifetime limited warranty on parts (other than electronic parts and batteries) and finishes; or, for commercial users, for 5 years from date of purchase.
- 5 year limited warranty on electronic parts (other than batteries); or, for commercial users, for 1 year from the date of purchase. No warranty is provided on batteries.



COMPLIES WITH:

- ASME A112.18.1 / CSA B125.1 ◆
- EPA WaterSense®

▲ Designate proper finish suffix

- ◆ Your Delta Faucet hand shower incorporates a backflow protection system that has been tested to be in compliance with ASME A112.18.3, CSA B125.1 and ASME A112.18.1. It incorporates two certified check valves in series, which operate independently and are integral, non-serviceable parts of the wand assembly.

Delta reserves the right (1) to make changes in specifications and materials, and (2) to change or discontinue models, both without notice or obligation. Dimensions are for reference only. See current full-line price book or www.deltafaucet.com for finish options and product availability.

DSP-B-55530 Rev. D



55 E. 111th Street, Indianapolis, Indiana 46280
350 South Edgeware Road, St. Thomas, ON N5P 4L1
© 2016 Masco Corporation of Indiana