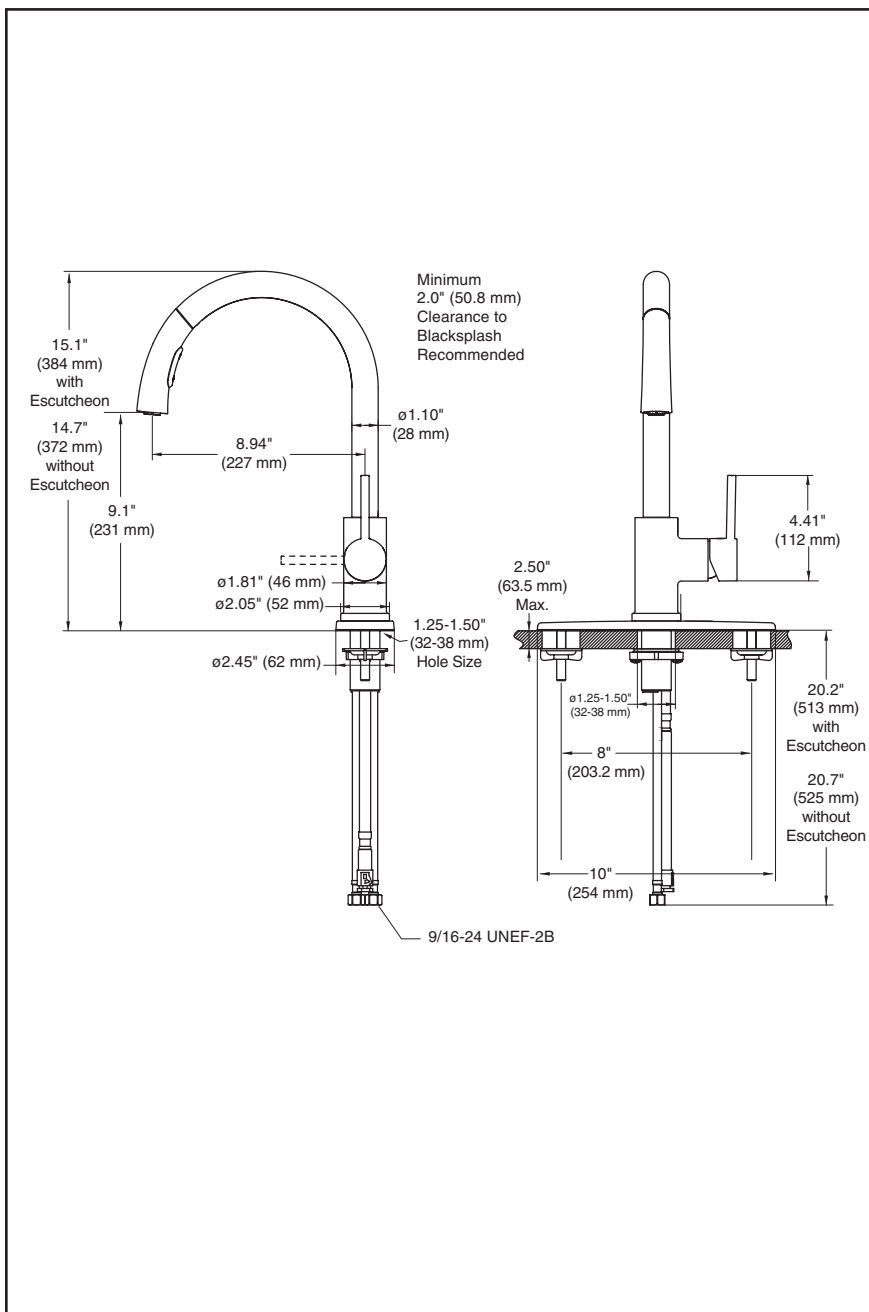


Submitted Model No.: \_\_\_\_\_

Specific Features: \_\_\_\_\_



## KITCHEN FAUCETS

- Pull-Down Kitchen Faucet
- Single Handle Deck Mount

### STANDARD SPECIFICATIONS:

- Single handle kitchen faucet.
- 8" centres with optional 10" long escutcheon (ordered separately).
- 15.1" (384 mm) high, 8.94" (227 mm) long spout, swings 360°.
- Pull-down spout operates in an aerated or spray mode via an easy push button.
- Touch-Clean® spray head.
- Quick Snap® hose installation.
- Spout is connected to valve body with a 59" (1499 mm) long hose.
- Ceramic cartridge.
- Standard with 3/8" compression.
- Integral double check valves.
- Maximum flow rate 1.8 gpm @ 60 PSI, 6.8 L/min @ 414 kPa.

### WARRANTY

- Lifetime Faucet and Finish Limited Warranty to the original consumer purchaser to be free from defects in material and workmanship.
- 5 Year Limited Warranty for usage in all industrial, commercial and business applications.



### COMPLIES WITH:

- Complies to ASME A112.18.1 / CSA B125.1
- Indicates compliance to ICC/ANSI A117.1
- Verified compliant with 0.25% weighted average Pb content regulations.

▲ Designate proper finish suffix

Delta reserves the right (1) to make changes in specifications and materials, and (2) to change or discontinue models, both without notice or obligation. Dimensions are for reference only. See current full-line price book or [www.specselect.com](http://www.specselect.com) for finish options and product availability.

DSP-K-976LF Rev. B



55 E. 111th Street, Indianapolis, Indiana 46280  
350 South Edgeware Road, St. Thomas, ON N5P 4L1  
© 2017 Masco Corporation of Indiana