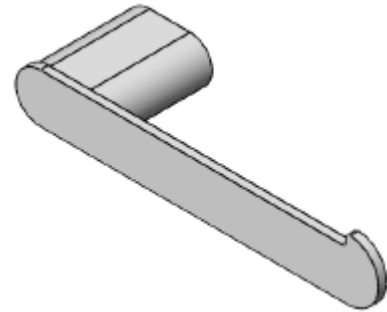


**D3 Series / Alchemi**

Features:  
Solid Construction  
Concealed installation

**Item #: D3.201**  
**Single Post Paper Holder**

Warranty:  
Residential: Limited lifetime  
Commercial use: 1 Year



Finishes:

- Polished Chrome
- Polished Nickel
- Satin Nickel
- Old World Bronze

