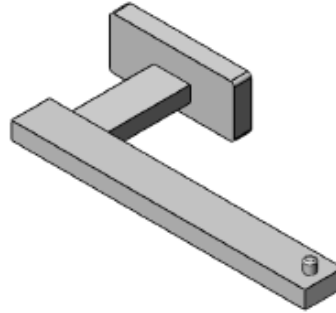


Features:
Unique Style
Durable finishes

D2 Series / Sereneti
Item #: D2.203
Paper Holder

Warranty:
Residential: Limited lifetime
Commercial use: 1 Year



Finishes:

- Polished Chrome
- Polished Nickel
- Satin Nickel
- Old World Bronze

