




Mixing Faucets

4" center Deckmount mixing faucet with rigid/swivel spout

Model No: W6720-10

COMPLIES WITH:

- CSA certified
- Complies to ASME A112.18.1/CSA B125.1
- CSA certified
- Complies to ASME A112.18.1/CSA B125.1
-  Indicates compliance to ICC/ANSI A117.1 When 2-3/4" lever blade handle is used
- In-line VB tested and approved in conformance with ASSE 1035 "Laboratory Faucet Vacuum Breakers". CSA certified to B64.7
- Angle VB tested and approved in conformance with ASSE 1001 and CSA B64.1.1
- Not for potable water.
- Tested and approved under ASSE 1001 and CSA B64.1.1.
- (Contact Delta Representative for State and/or Local Approvals)



SPECIFICATION:

- 102mm(4") center deckmount faucet
- Two Handle
- Heavy duty cast brass body
- Metal hold-down package
- 1/2" NPS shanks
- Field installation of spout as rigid or swivel
- Teck Lab compression structures
- Chrome plated brass renewable seats
- Locknuts, lockwashers
- 1/4" NPT tailpiece and coupling nuts
- Polished chrome plate finish
- Spout: R23 - 152 mm (6") Angle VB Spout
- Outlet: w/ 1/4" ID Serrated Nozzle Outlet(No Dash or -10 series)
- Handle#: B - Two Arm Metal
- Indexed For: CW/HW - Cold & Hot Water(Green & Red)

OPERATION:

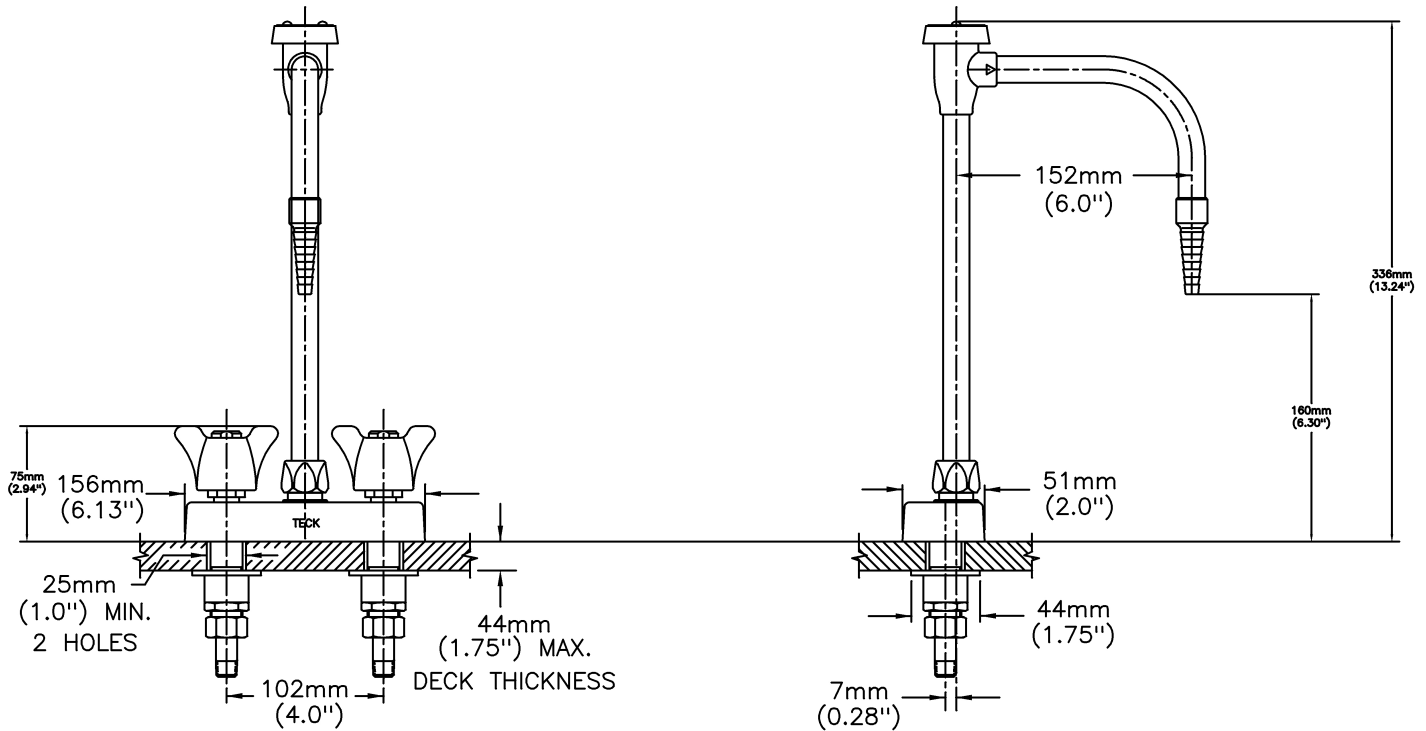
- Not Available

(Dimensional drawing on following page)

Delta reserves the right (1) to make changes to specifications and materials, and (2) to change or discontinue models, both without notice or obligation. Dimensions are for reference. Measurement may vary plus or minus 6mm(0.25"). Mounting locations are suggested only. Check with local codes for requirements in your area. This spec was produced May 25, 2021.

Delta Faucet Company - 55 East 111th St. - Indianapolis, Indiana, USA 46280 - (317) 848-1812
Delta Faucet Canada - 395 Matheson Blvd E - Mississauga, Ontario, Canada L4Z 2H2 - (905) 712-3030

Model No: W6720-10



INLET FOR 3/8" OR 1/2" FLEXIBLE RISER
 OR 1/2-14 NPSM COUPLING NUT (SUPPLIED)
 OR 1/4 MIP TAIL (SUPPLIED)

Delta reserves the right (1) to make changes to specifications and materials, and (2) to change or discontinue models, both without notice or obligation. Dimensions are for reference. Measurement may vary plus or minus 6mm(0.25"). Mounting locations are suggested only. Check with local codes for requirements in your area. This spec was produced May 25, 2021.

Delta Faucet Company - 55 East 111th St. - Indianapolis, Indiana, USA 46280 - (317) 848-1812
 Delta Faucet Canada - 395 Matheson Blvd E - Mississauga, Ontario, Canada L4Z 2H2 - (905) 712-3030