




Mixing Faucets

Deckmount mixing faucet with rigid/swivel spout-2 hole installation at 2 3/4" centers (Maximum 1 1/4" dia. hole size)

Model No: W6700-C

COMPLIES WITH:

- CSA certified
- Complies to ASME A112.18.1/CSA B125.1
- CSA certified
- Complies to ASME A112.18.1/CSA B125.1
-  Indicates compliance to ICC/ANSI A117.1 When 2-3/4" lever blade handle is used
- In-line VB tested and approved in conformance with ASSE 1035 "Laboratory Faucet Vacuum Breakers". CSA certified to B64.7
- Angle VB tested and approved in conformance with ASSE 1001 and CSA B64.1.1
- Not for potable water.
- ADA compliant and meets Handicapped Accessibility Standard ASME A117.1 of less than 5 lbs. operating force when lever blade handle is used
- (Contact Delta Representative for State and/or Local Approvals)



SPECIFICATION:

- All brass body with vandal resistant dual shanks to prevent damage to counter top
- Assembled shanks
- Brass locknuts and raised lockwashers to provide positive gripping during installation
- Teck Lab compression structures
- Chrome plated brass renewable seats
- 1/4" NPT tailpiece and coupling nut
- Deckmount mixing faucet with rigid/swivel spout-2 hole installation at 2 3/4" centers (Maximum 1 1/4" dia. hole size)
- Chrome Finish
- Spout: R5 - Gooseneck-6.0" spout reach -12.0" height(unmounted)- Standard rigid/swivel field installation unless LS Limited swing option selected-Vandal resistant .090" wall thickness
- Outlet: w/ 1/4" ID Serrated Nozzle Outlet(No Dash or -10 series)
- Handle#: C - 70 mm (2-3/4") ADA compliant Lever Blade Handle-Metal-Color indexed
- Indexed For: CW/HW - Cold & Hot Water(Green & Red)

OPERATION:

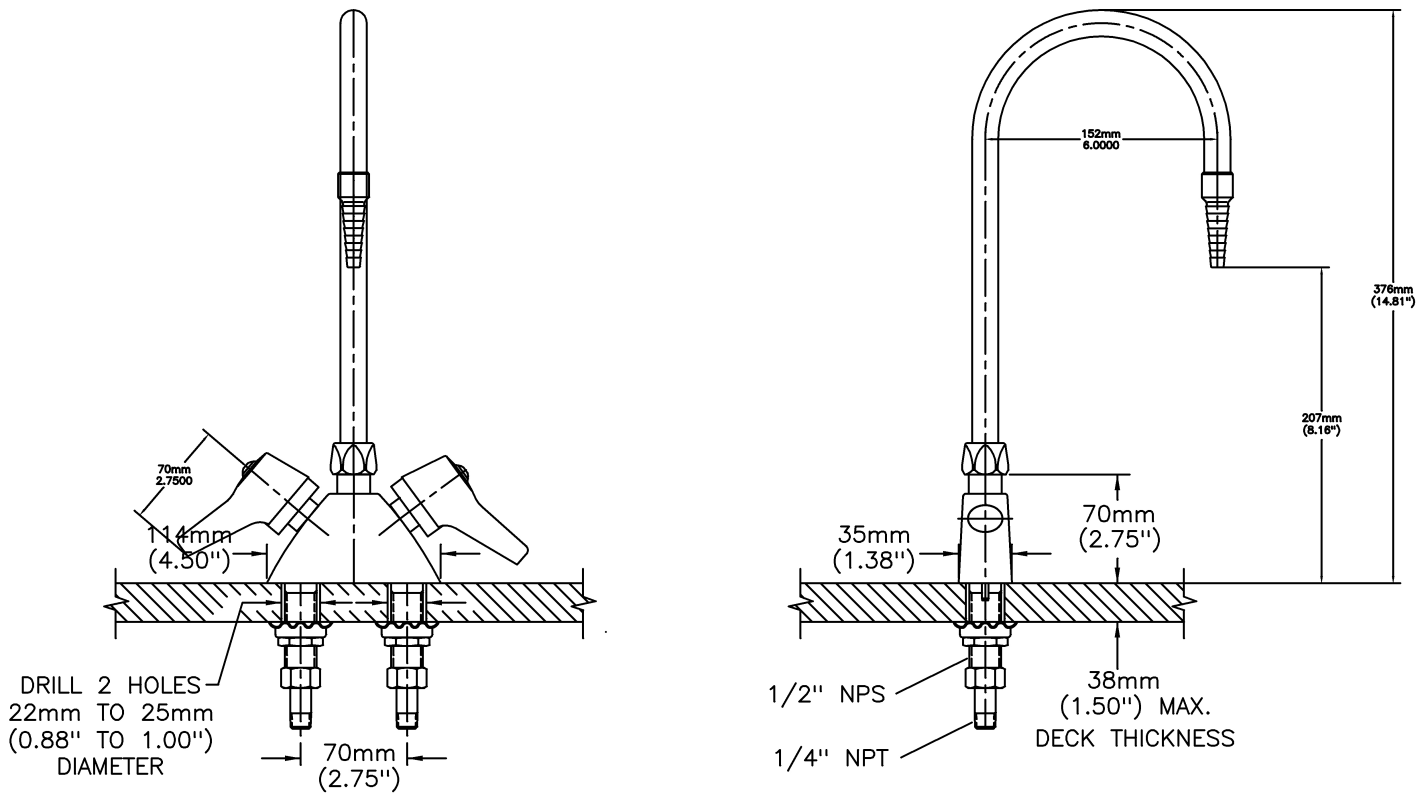
- Not Available

(Dimensional drawing on following page)

Delta reserves the right (1) to make changes to specifications and materials, and (2) to change or discontinue models, both without notice or obligation. Dimensions are for reference. Measurement may vary plus or minus 6mm(0.25"). Mounting locations are suggested only. Check with local codes for requirements in your area. This spec was produced May 28, 2021.

Delta Faucet Company - 55 East 111th St. - Indianapolis, Indiana, USA 46280 - (317) 848-1812
Delta Faucet Canada - 395 Matheson Blvd E - Mississauga, Ontario, Canada L4Z 2H2 - (905) 712-3030

Model No: W6700-C



Delta reserves the right (1) to make changes to specifications and materials, and (2) to change or discontinue models, both without notice or obligation. Dimensions are for reference. Measurement may vary plus or minus 6mm(0.25"). Mounting locations are suggested only. Check with local codes for requirements in your area. This spec was produced May 28, 2021.

Delta Faucet Company - 55 East 111th St. - Indianapolis, Indiana, USA 46280 - (317) 848-1812
 Delta Faucet Canada - 395 Matheson Blvd E - Mississauga, Ontario, Canada L4Z 2H2 - (905) 712-3030