




## Hose Cocks

Single ball valve assembled in wallmount flange-  
assembled shank  
brass locknut  
raised lockwasher for positive grip

## Model No: W6270CW

### COMPLIES WITH:

-  Indicates compliance to ICC/ANSI A117.1
- Not for potable water.
- (Contact Delta Representative for State and/or Local Approvals)



### SPECIFICATION:

- Ball valve hose cock(s)
- Floating ball-type design
- Universal 10 serration vandal resistant nozzle with 3.2mm(1/8") outlet - removable with flat on one side
- Forged brass non-removable vandal resistant handle (ADA compliant) - obvious on/off positions
- O-ring seals
- Maintenance free- no need to regrease sealing surfaces or take valve apart
- 10 year warranty-every ball valve carries its date of manufacture on the underside of the body
- Life cycle tested to up to 100,000 cycles
- Single ball valve assembled in wallmount flange-assembled shank,brass locknut, raised lockwasher for positive grip
- Chrome Finish
- Assembled Shank: Shank (N) overall length 2.38" [was SH3] (1.88" exposed)
- Indexed For: CW - Cold Water(Green)[60psi-max.]
- Check piston located in nozzle to prevent contamination of service lines and valve sealing surfaces (with exception of vacuum service)
- Factory tested to 125 psi
- Use of this ball valve above 40 psi requires special clamping procedures by others to ensure that any hoses attached to nozzle do not blow off
- Can be converted to Air valve only.
- Shank With 1/4" Tailpiece & Coupling

### OPERATION:

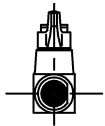
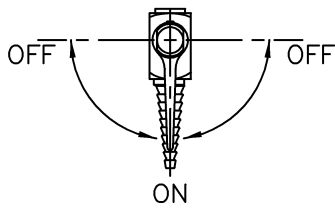
- Not Available

***(Dimensional drawing on following page)***

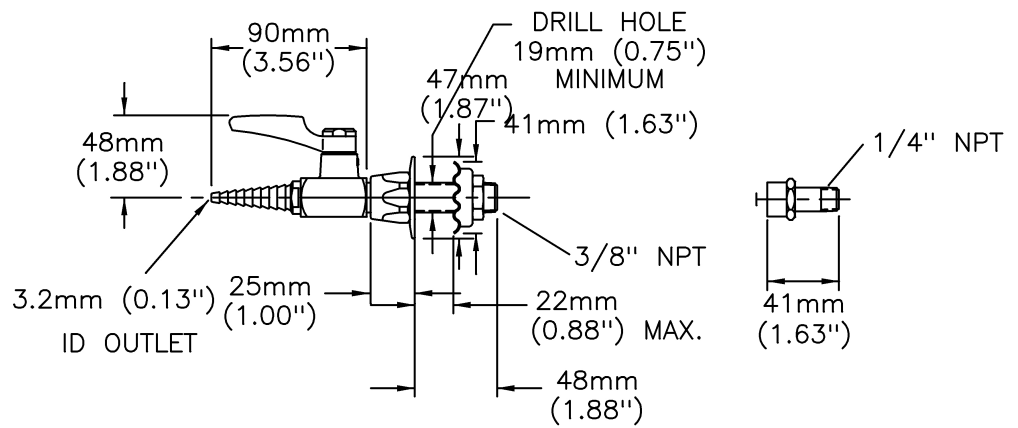
Delta reserves the right (1) to make changes to specifications and materials, and (2) to change or discontinue models, both without notice or obligation. Dimensions are for reference. Measurement may vary plus or minus 6mm(0.25"). Mounting locations are suggested only. Check with local codes for requirements in your area. This spec was produced June 10, 2021.

Delta Faucet Company - 55 East 111th St. - Indianapolis, Indiana, USA 46280 - (317) 848-1812  
Delta Faucet Canada - 395 Matheson Blvd E - Mississauga, Ontario, Canada L4Z 2H2 - (905) 712-3030

Model No: W6270CW



(REMOVABLE NOZZLE –  
FLAT ON ONE SIDE  
FOR WRENCH)



Delta reserves the right (1) to make changes to specifications and materials, and (2) to change or discontinue models, both without notice or obligation. Dimensions are for reference. Measurement may vary plus or minus 6mm(0.25"). Mounting locations are suggested only. Check with local codes for requirements in your area. This spec was produced June 10, 2021.

Delta Faucet Company - 55 East 111th St. - Indianapolis, Indiana, USA 46280 - (317) 848-1812  
Delta Faucet Canada - 395 Matheson Blvd E - Mississauga, Ontario, Canada L4Z 2H2 - (905) 712-3030